

4

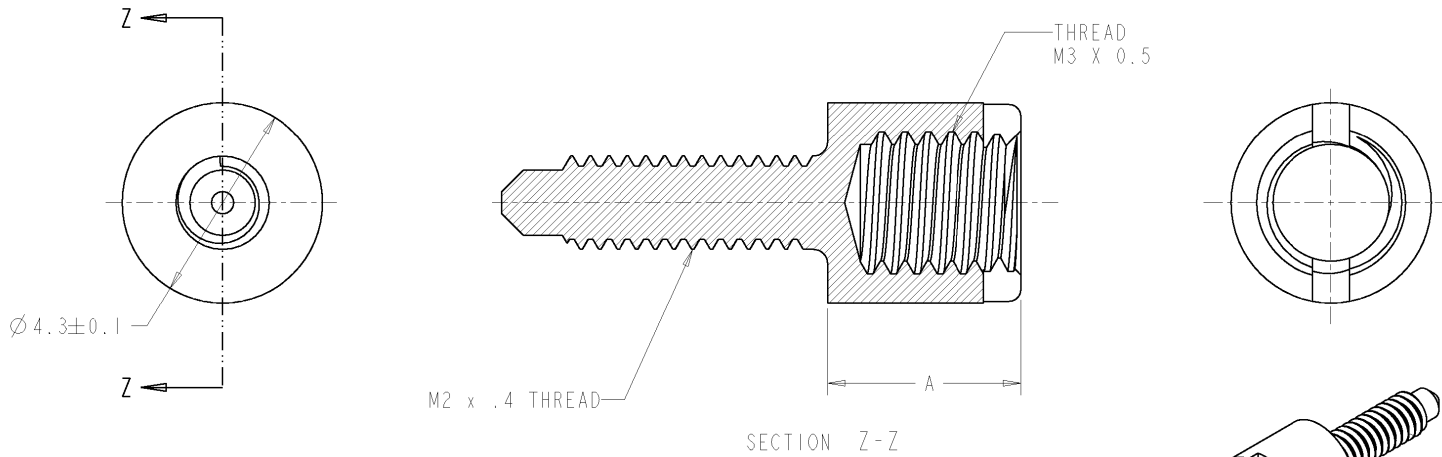
3

2

1

THIS DRAWING IS UNPUBLISHED. RELEASED FOR PUBLICATION 20
 © COPYRIGHT 20 BY TYCO ELECTRONICS CORPORATION. ALL RIGHTS RESERVED.

LOC	DIST	REVISIONS				
P	LTR	DESCRIPTION	DATE	DWN	APVD	
GP	00					
	A	RELEASED -3, -4 PER EC 0S11-0242-03	03FEB04	JB	CF	



- △ MATERIAL: STAINLESS STEEL.
- 2. SCREW LOCK REQUIRED FOR PART NUMBER 1339362. SCREW LOCK MUST BE ORDERED SEPARATELY PER TABLE BELOW.

> 1mm - < 2mm	1339381-2
0mm - ≤ 1mm	1339381-1
PANEL THICKNESS	SCREW LOCK P/N

- △ 3 PACKAGED IN BAGS THAT INCLUDE 960 PIECES. 2 REQUIRED PER BOARD MOUNT CONNECTOR.
- △ 4 PACKAGED IN BAGS THAT INCLUDE 100 PIECES. 2 REQUIRED PER BOARD MOUNT CONNECTOR.

4.14	1339381-4	△ 4
5.15	1339381-3	△ 4
4.14	1339381-2	△ 3
5.15	1339381-1	△ 3
DIM A	PART NUMBER	

<small>THIS DRAWING IS A CONTROLLED DOCUMENT FOR TYCO ELECTRONICS CORPORATION. IT IS SUBJECT TO CHANGE AND THE CONTROLLING ENGINEERING ORGANIZATION SHOULD BE CONTACTED FOR THE LATEST REVISION.</small>		DWN 27JUL01 K. ZARBOCK CHR 27JUL01 D. WIEBKING APVD 27JUL01 D. WIEBKING	tyco Electronics Tyco Electronics Harrisburg, PA 17105-3608
DIMENSIONS: mm 	TOLERANCES UNLESS OTHERWISE SPECIFIED: 0 PLC ± .05 1 PLC ± 0.05 2 PLC ± 0.05 3 PLC ± 0.05 4 PLC ± 0.05 ANGLES ± 2°	NAME PRODUCT SPEC APPLICATION SPEC WEIGHT	NAME SCREW LOCK, MINI RJ21, RECEPTACLE SIZE CAGE CODE DRAWING NO A3 00779 G-1339381 RESTRICTED TO
MATERIAL 	FINISH	CUSTOMER DRAWING	SCALE 12:1 SHEET 1 OF 1 REV A

AMP 1470-19 REV 31MAR2000

Pro/ENGINEER DRAWING