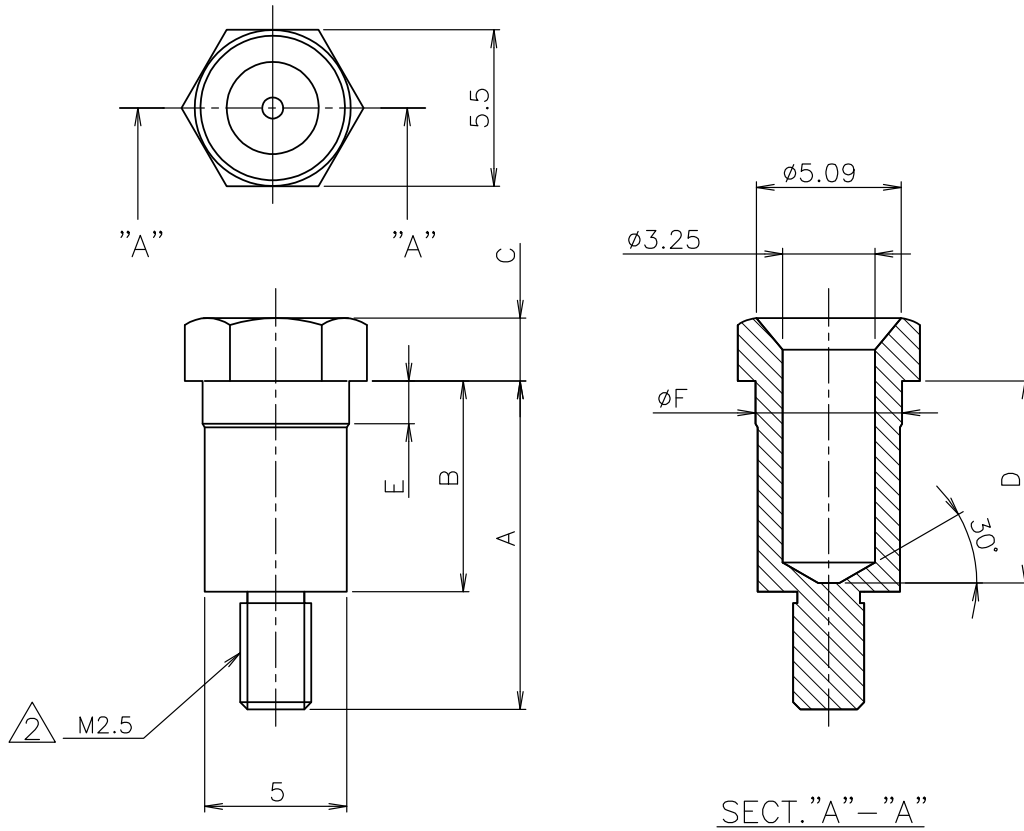


LOC	DIST	REVISIONS 変更					
J		P	LTR	DESCRIPTION	DATE	DWN	APVD
			C	REVISED&REDRAWN FJ00-2475-02	02DEC'02	S.A	Y.Y
			C1	REVISED PER ECO-09-024717	04NOV09	KK	AEG



- 注記
1. 材料及び仕上：黄銅、ニッケルメッキ
  2. ねじ部先端を除き、ゆるみ止め材料塗布

NOTE (ロックタイト DRI-LDC 202, 203 相当)

1. MATERIAL AND FINISH : BRASS, Ni PLATE
2. THREAD LOCKING MATERIAL APPLIED EXCEPT FOR THREAD TIP AREA. (EQUIVALENT LOCTITE DRI-COC 202,203)
3. OBSOLETE PARTS: OBSOLETE CIS STREAMLINING PER D.RENAUD/D.SINISI

	5.15	1.5	6.3	3.02	6.6	10.74	5-177728-1	3
MAKE FROM -2	5.15	1.5	6.3	3.02	6.6	10.74	2-177728-2	3
	5.15	1.5	7.1	2.22	7.4	11.54	177728-2	
	5.15	1.5	7.1	2.22	7.4	11.54	177728-1	
REMARKS	F	E	D	C	B	A	P/N	

THIS DRAWING IS UNPUBLISHED. ALL RIGHTS RESERVED. 1993 BY TYCO ELECTRONICS CORPORATION.

DIMENSIONS: 単位： 耗 MM	DWN	S.ABE	29NOV2002	MATERIAL	SEE NOTE	FINISH	SEE NOTE		
	CHK	Y.YAMAMOTO	02DEC2002	材料		仕上			
TOLERANCES UNLESS OTHERWISE SPECIFIED: 一般公差	APVD	Y.YAMAMOTO	02DEC2002	Tyco Electronics AMP K.K. Kawasaki, Japan					
	PRODUCT SPEC	Tyco Electronics Kawasaki, Japan							
0 PLC ± 0.25 1 PLC ± 0.25 2 PLC ± 0.25 3 PLC ± 4 PLC ± ANGLES ± 3°	APPLICATION SPEC	NAME 名称 GUIDE SOCKET FOR AMP DOCKING CONNECTOR							
	WEIGHT	SIZE	A4	CAGE CODE	00779	DRAWING NO	177728	RESTRICTED TO	-
		CUSTOMER DRAWING		SCALE	4:1	SHEET	1 OF 1	REV	C1