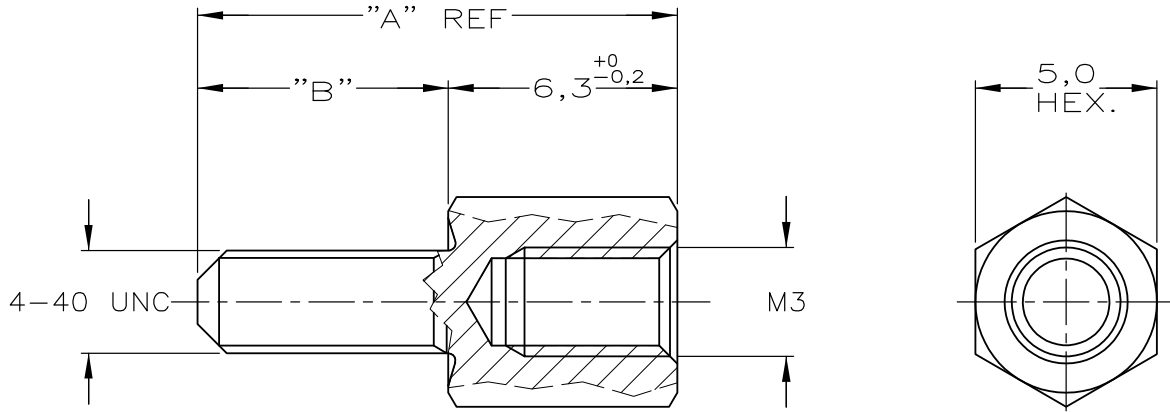
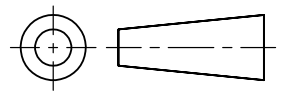


DO NOT SCALE

DIMENSIONS IN mm

METRIC

THIRD ANGLE  
PROJECTION



1 OBSOLETE PARTS: OBSOLETE CIS STREAMLINING PER D.RENAUD/D.SINISI

-	3,0	9,2	UNPLATED	ARCAP	3-828101-3
-	3,0	9,2	TINPLATED	BRASS	3-828101-1
-	11,0	17,2	UNPLATED	ARCAP	2-828101-3
-	11,0	17,2	TINPLATED	BRASS	2-828101-1 <span style="border: 1px solid black; padding: 2px;">1</span>
-	9,7	15,9	UNPLATED	ARCAP	1-828101-3
-	9,7	15,9	TINPLATED	BRASS	1-828101-1
-	5,0	11,2	UNPLATED	ARCAP	828101-3
-	5,0	11,2	TINPLATED	BRASS	828101-1
-	DIM "B"	DIM "A"	FINISH	MATERIAL	ORDERNUMBER

-	-	-	-	-	CUSTOMER DRAWING		FOR REFERENCE ONLY WILL NOT BE UPDATED
-	-	-	-	-	© COPYRIGHT 19 - BY AMP HOLLAND B.V. ALL INTERNATIONAL RIGHTS RESERVED.AMP PRODUCTS MAY BE COVERED BY U.S. AND FOREIGN AND/OR PATENTS PENDING. THIS DRAWING IS UNPUBLISHED RELEASED FOR PUBLICATION _____, 19 _____		
-	-	-	-	-	AMP HOLLAND B.V. 's-Hertogenbosch, The Netherlands.		
F1	REVISED PER ECO-09-023313	KK	AEG	120CT09			
F	H-9720	S.M.	C.V.T	21-04-92	SCREWLOCK,FEMALE,HD-SERIES		
LTR.	REVISION RECORD	DR.	CHK.	DATE			
DR.:	D.KESSLER	CHK.:	C.V.TILBURG	APP.:	L.V.SOEST	DWG.No.	REV.LTR.
DATE:	02-04-91	DATE:	23-04-91	DATE:	25-04-91	828101	F1
						SHEET	A4
						1 OF 1	