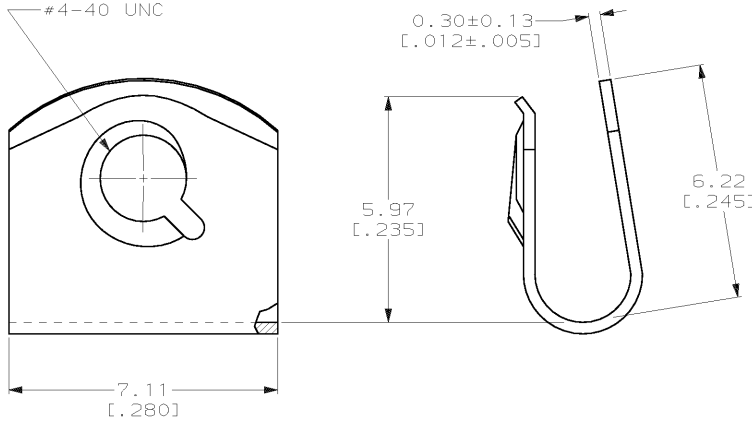


DRAWING MADE IN THIRD ANGLE PROJECTION

THIS DRAWING IS UNPUBLISHED. RELEASED FOR PUBLICATION, 19 .
 © COPYRIGHT 19 BY AMP INCORPORATED. ALL INTERNATIONAL RIGHTS RESERVED.

MOD	LOC	DIST	REVISIONS			
P	F	ZONE	LTR	DESCRIPTION	DATE	APPD
-	GP	00	B	REV PER OUID-0274-00	22 OCT 01	JR

⚠ STAINLESS STEEL PER ASTM A666.



METRIC

745564-1
PART NUMBER

DO NOT SCALE PRINT. UNLESS SPECIFIED DIMENSIONS IN mm [INCHES] TOLERANCES UNLESS SPECIFIED: 2 PLC DEC ± 0.51 (.020) 3 PLC DEC ± - ANGLES ± -		DR 07/26/90 R. MOYER CHK B-2-90 R. STONE APPD B-3-90 B. TAYLOR APPD B-3-90 J. ASSINI	AMP AMP Incorporated Harrisburg, PA 17105-3608	
MATERIAL ⚠		PRODUCT SPEC -	NAME SCREW RETAINER, HDE	
FINISH -		APPLICATION SPEC -	SIZE B	CAGE CODE 00779
WEIGHT -		SCALE 10:1	DRAWING NO 745564 SHEET 1 OF 1	

AMP 1470-15 REV 11-89
 07 DEC 1990 10:42:54 AMP10831
 <AR026B-DT4023-JUL-AMPLINITE-JUL-HARDWARE

CUSTOMER DRAWING