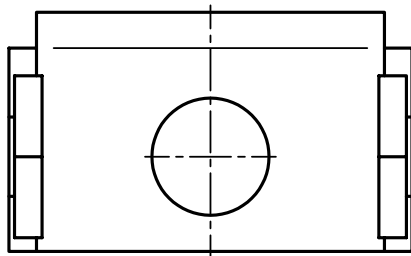
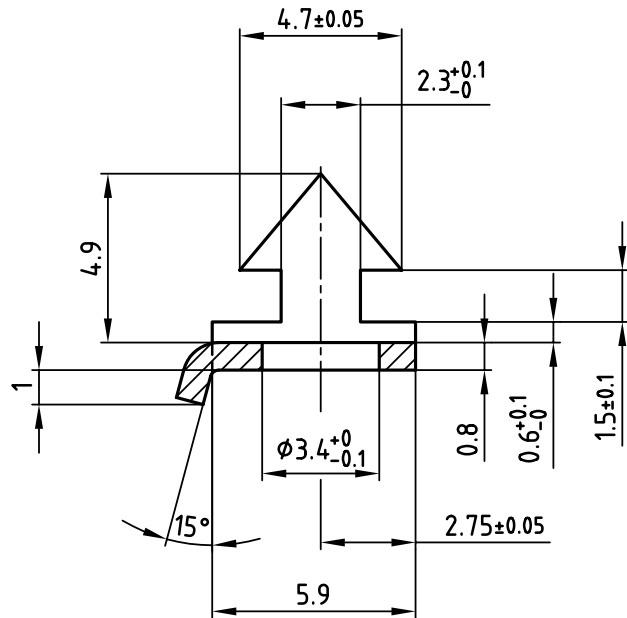
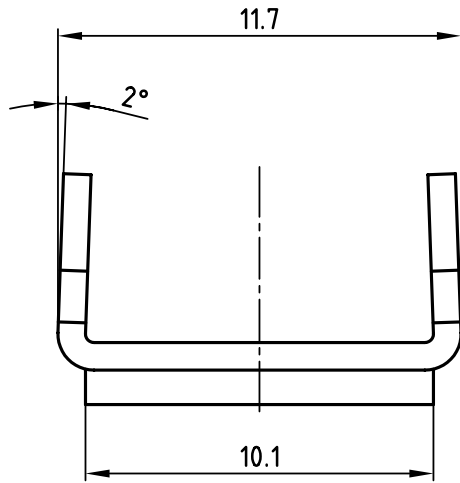


used for: D - SUB



**NOTES:**

- 1. Part is splint and burrfree
- 3. Excellent adhesion of surface to the base material
- 3. radius without dimensions = R 0.25

THIS DRAWING MAY NOT BE COPIED OR REPRODUCED IN ANY WAY, AND MAY NOT BE PASSED ON TO A THIRD PARTY WITHOUT WRITTEN PERMISSION.  
 OWNERSHIP AND COPYRIGHT OF CONEC GmbH  
 DO NOT ALTER CAD DRAWING BY HAND

finish:  
nickel plated

tolerance  
ISO 2768-m



scale: 5:1  
material: STEEL

1993	date	name
drawn	05.07.	Barcinski
appd.	05.07.	Mickenbecker
norm		
d-old		

title:  
**LOCK**  
Ø3.4  
for slide lock

dwg no: AutoCADREL.13 DIN-A  
4  
sh: 1/1



rev.	description	date	name

part no: 165X10119X