

IEC Appliance Inlet C14 with Fuseholder 1- or 2-pole



Inlet with fuseholder (5x20 mm)

KPF Filter Module
(not enclosed)

Medical fuse drawer



V-Lock

**Description**

- Panel Mount: Sandwich/rear-side
- 2 Functions: Appliance Inlet Protection class I, Fuseholder for fuse-links 5 x 20 mm 1- or 2-pole
- For PCB mounting

Approvals

- VDE Certificate Number: 40008635
- UL File Number: E93617
- CSA File Number: 38456

Characteristics

- Panel mount from rear or "sandwich" between top and bottom/side to side panels
- PCB mount with snap-in or screw-on feet (self tapping screws Ø 3 x 8 mm)
- All single elements are already wired
- Fuse drawer meets requirements of medical standard IEC/EN 60601-1
- The fuse drawer can only be opened with the aid of a tool
- The fuseholder is accessible from the equipment front
- Insulation cover on the rear-side
- Qualified for use in equipment according IEC/EN 60950

Other versions on request

- Solder terminals
- Quick-connect terminals
- For protection class II

ReferencesAlternative: version with line filter [KPF](#); [KPS](#)**Weblinks**

[General Product Information](#), [Approvals](#), [RoHS](#), [CHINA-RoHS](#), [Mating Connectors](#), [e-Store](#), [SCHURTER-Stock-Check](#), [Distributor-Stock-Check](#), [Accessories](#)

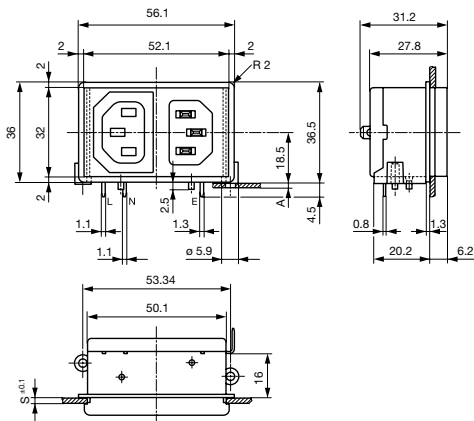
Newly available variants corresponding to V-Lock mating cordset. The connector is equipped with a notch intended for use with the latching cordset. The cord latching system prevents against accidental removal of the cordset.

Technical Data

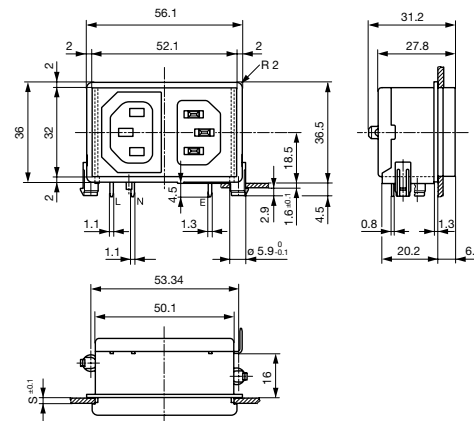
Ratings IEC	10A / 250VAC; 50Hz	Appliance Inlet	C14 acc. to IEC/EN 60320-1, UL 498, CSA C22.2 no. 42 (for cold conditions) pin-temperature 70 °C, 10A, Protection Class 1
Ratings UL/CSA	10A / 125VAC; 60Hz	Fuseholder	1 or 2 pole, Shocksafe category PC2 acc. to IEC 60127-6, for fuse-links 5 x 20mm
Dielectric Strength	> 2.3kVAC between L-N > 2.8kVAC between L/N-PE (1 min/50Hz)	Rated Power Acceptance @ Ta 23 °C	5 x 20: 2W (1 pole)/ 1.6W (2-pole) per pole
Allowable Operation Temp.	-25 °C to 70 °C	Power Acceptance @ Ta > 23 °C	Admissible power acceptance at higher ambient temperature see derating curves
Degree of Protection	from front side IP 40 acc. to IEC 60529		
Protection Class	Suitable for appliances with protection class 1 acc. to IEC 61140		
Terminal	For PCB mounting Quick connect terminals 4.8 x 0.8 mm Solder terminal on request		
Panel Thickness s	Snap-in: 1.5/2/2.5/3 mm		
Material: Housing	Thermoplastic, black, UL 94V-0		

Dimensions

Screw on PCB mounting



Snap-in mounting

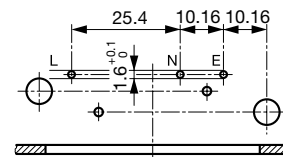
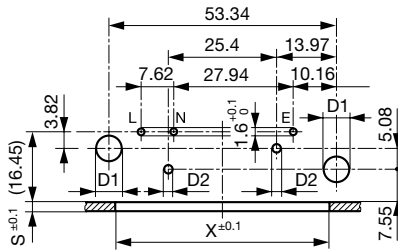


A = for PCB-thickness 1.2/1.6/2.0/2.4 mm
Additional quick connect terminal 4.8 x 0.8 mm

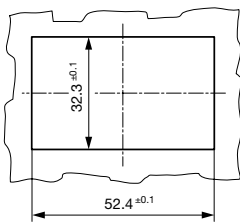
For 2-pole inlet/switch, 2-pole inlet fuseholder and inlet/outlet

Additional quick connect terminal 4.8 x 0.8 mm
s = panel thickness

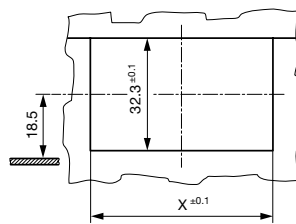
for combinations:
inlet/switch 1-pole
Inlet/ fuseholder 1-pole



Mounting holes for backside mounting

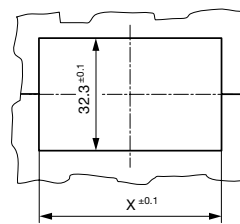


Sandwich mounting holes



S and X see mounting holes

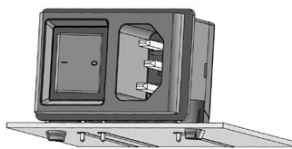
Sandwich mounting holes



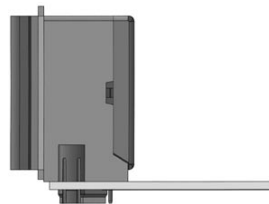
X = 48.4 at S = 1.5 and 2.5
X = 50.4 at S = 2.0 and 3.0

X = 48.4 at S = 1.5 and 2.5
X = 50.4 at S = 2.0 and 3.0

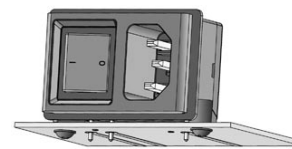
Dimensions



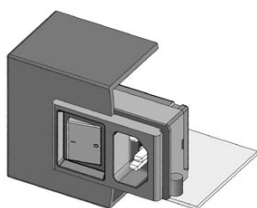
Stable snap feet requires minimal insertion force



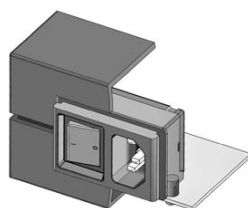
Module must lay flat on the PCB when soldering



Screw-on mount uses self-tapping screws



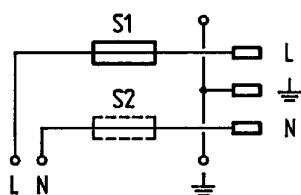
Insertion from behind



"Sandwich" mounting with split enclosure panels

Other dimensions as for 2-poles
 d1 = 6 ± 0.05 for (snap-in)
 d1 = 3.6 (screw-on)
 d2 = 2 ± 0.1 (screw-on)
 Dimensions without tolerance:
 ≤ 15 = ± 0.05; ≥ 15 = ± 0.1

Diagrams



Inlet with fuseholder
 (5 x 20 mm)

Variants

Panel mounting	Panel Thickness s [mm]	PCB [mm]	Line Switch	Fuseholder	Connector	Order Number
Screw	2	1.2/1.6/2.0/2.4	-	1-pole	-	KP01.1452.01
Screw	2	1.2/1.6/2.0/2.4	-	2-pole	-	KP01.1352.01
Screw	3	1.2/1.6/2.0/2.4	-	1-pole	-	KP01.1453.01
Screw	3	1.2/1.6/2.0/2.4	-	2-pole	-	KP01.1353.01
Snap-in	2	1.6	-	1-pole	-	KP01.1412.01
Snap-in	2	1.6	-	2-pole	-	KP01.1312.01
Snap-in	3	1.6	-	1-pole	-	KP01.1413.01
Snap-in	3	1.6	-	2-pole	-	KP01.1313.01

Type KP without cover: KP01.XXXX.XX90

Ground Terminal with solder pin: KP01.XXXX.X3XX

Packaging unit 50 Pcs

Mating Outlets/Connectors

Category / Description

[Appliance Outlet Overview complete](#)



IEC Appliance Outlet F, Screw-on Mounting, Front Side, Solder Terminal	4787
IEC Appliance Outlet F, Snap-in Mounting, Front Side, Solder or Quick-connect Terminal	4788
IEC Appliance Outlet F or H, Screw-on Mounting, Front Side, Solder, PCB or Quick-connect Terminal	5091
IEC Appliance Outlet F or H, Screw-on Mounting, Front Side, Solder or Quick-connect Terminal	5092

[Appliance Outlet further types to KP \(FH\)](#)

[ConnectorOverview complete](#)



IEC Connector C15, Rewireable, Straight	0101
IEC Connector C15A, Rewireable, Straight	0102
IEC Connector C15A, Rewireable, Straight	0102-G
IEC Connector C15A, Rewireable, Angled	0112
IEC Connector C13, Rewireable, Angled	4012

[Connectorfurther types toKP \(FH\)](#)

...

[Power CordOverview complete](#)



Power Cord with IEC Connector C13, Angled	0311
Power Cord with IEC Connector C13, Angled	3011
Power Cord with IEC Connector C13, Angled	3012
Power Cord with IEC Connector C13, Angled	3013
Power Cord with IEC Connector C13	3020

[Power Cordfurther types toKP \(FH\)](#)

...