

## IEC Appliance Inlet C18 with Fuseholder 1-pole

**Description**

- Panel Mount:  
Screw-on mounting from front or rear-side
- 2 Functions:  
Appliance Inlet Protection class II, Fuseholder for fuse-links 5 x 20 mm 1-pole
- Solder terminals or quick connect terminals

**Approvals**

- VDE Certificate Number: 40011091
- UL File Number: E93617
- CSA File Number: 32338

**Characteristics**

- All single elements are already wired
- Plug removal necessary for fuse-link replacement  
The fuseholder is accessible from the equipment front  
With spare fuse compartment
- Qualified for use in equipment according IEC/EN 60950

**Other versions on request**

- Types for rivet mounting available upon request

**References**

Alternative: Version in protection class I 6200

**Weblinks**

[General Product Information](#), [Approvals](#), [RoHS](#), [CHINA-RoHS](#), [Mating Connectors](#), [e-Store](#), [SCHURTER-Stock-Check](#), [Distributor-Stock-Check](#), [Accessories](#)

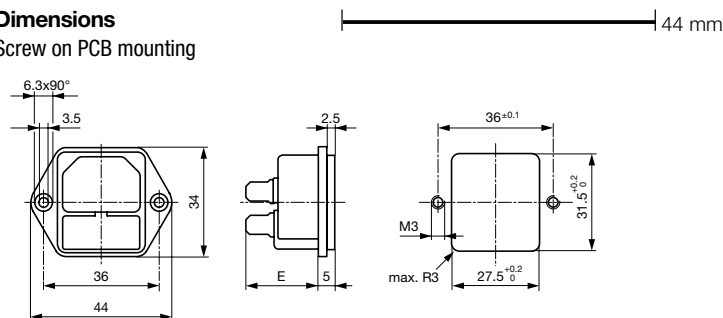
**Technical Data**

Ratings IEC	10A / 250VAC; 50Hz
Ratings UL/CSA	10A / 250VAC; 60Hz
Dielectric Strength	> 4kVAC between L-N (1 min/50Hz)
Allowable Operation Temp.	-25°C to 70°C
Degree of Protection	from front side IP 40 acc. to IEC 60529
Protection Class	Suitable for appliances with protection class 2 acc. to IEC 61140
Terminal	Solder terminals or quick connect terminals, tin-plated
Panel Thickness s	Screw: max 6 mm Mounting screw torque max 0.5 Nm
Material: Housing	Thermoplastic, black, UL 94V-0

Appliance Inlet	C18 acc. to IEC/EN 60320-1, UL 498, CSA C22.2 no. 42 (for cold conditions) pin-temperature 70 °C, 10A, Protection Class 2
Fuseholder	1-pole, Shocksafe category PC2 acc. to IEC 60127-6, for fuse-links 5 x 20 mm
Rated Power Acceptance @ Ta 23 °C	5 x 20: 2W (1 pole)
Power Acceptance @ Ta > 23°C	Admissible power acceptance at higher ambient temperature see derating curves

**Dimensions**

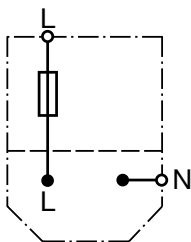
Screw on PCB mounting



E: Solder terminals 20.5 mm

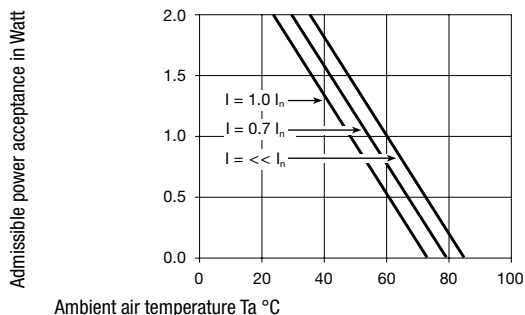
E: Quick connect terminals 23.5 mm

## Diagrams

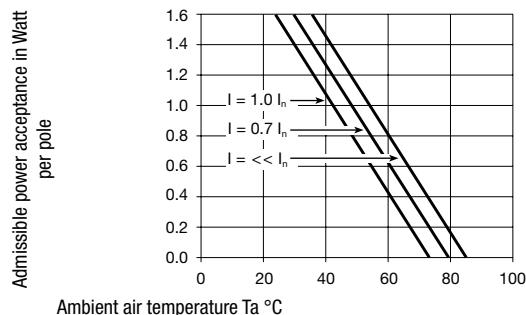


## Derating Curves

1-pole



2-pole



## Variants

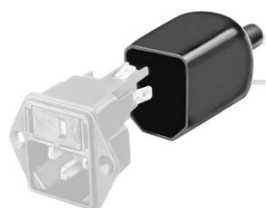
Socket and fuse-carrier included

Protection Class	Panel mounting	Panel Thickness s [mm]	Fuseholder	Terminal	Internally wired	Order Number
2	Screw	-	1-pole	Quick connect terminals 4.8 x 0.8 mm	●	6202.2200
2	Screw	-	1-pole	Quick connect terminals 6.3 x 0.8 mm	●	6202.2300
2	Screw	-	1-pole	Solder terminals 3.8 x 0.8 mm	●	6202.2100

**Packaging unit** 50 Pcs

## Accessories

Description



Assorted Covers  
Rear Cover

0859.0047  
4311.9403

## Mating Outlets/Connectors

Category / Description

ConnectorOverview complete



IEC Connector C15, Rewireable, Straight	0101
IEC Connector C15A, Rewireable, Straight	0102
IEC Connector C15A, Rewireable, Straight	0102-G
IEC Connector C15A, Rewireable, Angled	0112
IEC Connector C13, Rewireable, Angled	4012
Connectorfurther types to6202	...



## Power Cord Overview complete

Power Cord with IEC Connector C17, Angled	0301
Power Cord with IEC Connector C13, Angled	0311
Power Cord with IEC Connector C13, Angled	3011
Power Cord with IEC Connector C13, Angled	3012
Power Cord with IEC Connector C13, Angled	3013
<a href="#">Power Cord further types to 6202</a>	...