

IEC Appliance Inlet C18, Snap-in Mounting, Front Side, Solder or Quick-connect Terminal



6102-5

**Description**

- Panel Mount:
- Snap-in version from front side
- Appliance Inlet, Pin temperature 70 °C, Protection class II
- Solder terminals or quick connect terminals

Approvals

- VDE Certificate Number: 40015595
- UL File Number: E96454

Other versions on request

- Other panel thickness
- Types for enhanced glow wire test requirements acc. IEC 60695-2-11 to -13 for the use in unattended household equipment acc. IEC 60335-1

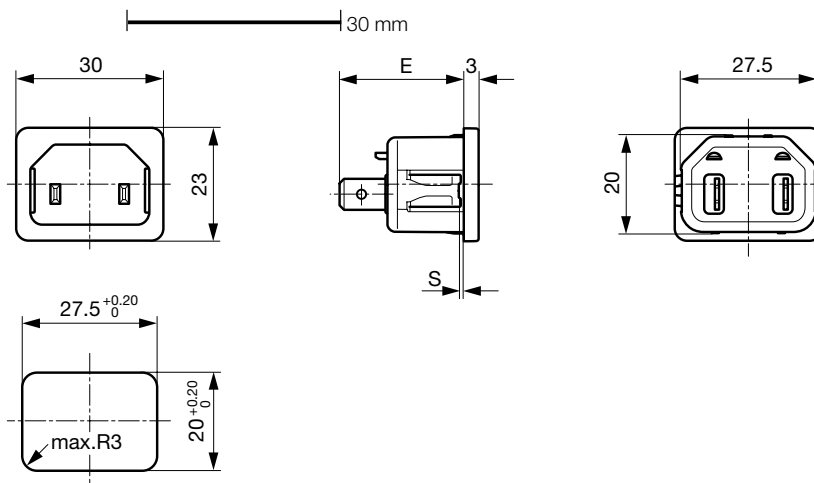
ReferencesAlternative: Version in protection class I [6100-4](#)**Weblinks**

General Product Information, Approvals, RoHS, CHINA-RoHS, Mating Connectors, e-Store, SCHURTER-Stock-Check, Distributor-Stock-Check, Accessories

Technical Data

Ratings IEC	10 A / 250 VAC; 50 Hz
Ratings UL/CSA	15 A / 250 VAC; 60 Hz
Dielectric Strength	> 2 kVAC between L-N (1 min/50 Hz)
Allowable Operation Temp.	-25 °C to 70 °C
Degree of Protection	from front side IP 30 acc. to IEC 60529
Protection Class	Suitable for appliances with protection class 2 acc. to IEC 61140
Terminal	Solder terminals or quick connect terminals
Panel Thickness s	Snap-in: 1/1.2/1.5/2/2.5/3 mm
Material: Housing	Thermoplastic, black, UL 94V-0

Appliance Inlet	C18 acc. to IEC/EN 60320-1, UL 498, CSA C22.2 no. 42 (for cold conditions) pin-temperature 70 °C, 10 A, Protection Class 2
-----------------	--

Dimensions

E: Solder terminals 22.5 mm
 E: Quick connect terminals 25.5 mm
 S: 1.0; 1.2; 1.5; 2.0; 2.5; 3.0 mm

Variants

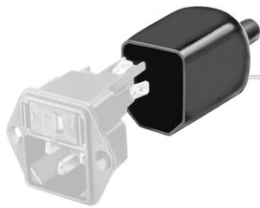
Type	Protection Class	Panel mounting	Panel Thickness s [mm]	Terminal	Order Number
6102-5	2	Snap-in	1.5	Quick connect terminals 4.8 x 0.8 mm	6102.5215
6102-5	2	Snap-in	2	Quick connect terminals 4.8 x 0.8 mm	6102.5220
6102-5	2	Snap-in	2.5	Quick connect terminals 4.8 x 0.8 mm	6102.5225
6102-5	2	Snap-in	3	Quick connect terminals 4.8 x 0.8 mm	6102.5230
6102-5	2	Snap-in	1	Quick connect terminals 6.3 x 0.8 mm	6102.5310
6102-5	2	Snap-in	1.2	Quick connect terminals 6.3 x 0.8 mm	6102.5312
6102-5	2	Snap-in	1.5	Quick connect terminals 6.3 x 0.8 mm	6102.5315
6102-5	2	Snap-in	2	Quick connect terminals 6.3 x 0.8 mm	6102.5320
6102-5	2	Snap-in	2.5	Quick connect terminals 6.3 x 0.8 mm	6102.5325
6102-5	2	Snap-in	3	Quick connect terminals 6.3 x 0.8 mm	6102.5330
6102-5	2	Snap-in	1	Solder terminals 3.8 x 0.8 mm	6102.5110
6102-5	2	Snap-in	1.2	Solder terminals 3.8 x 0.8 mm	6102.5112
6102-5	2	Snap-in	1.5	Solder terminals 3.8 x 0.8 mm	6102.5115
6102-5	2	Snap-in	2.5	Solder terminals 3.8 x 0.8 mm	6102.5125
6102-5	2	Snap-in	3	Solder terminals 3.8 x 0.8 mm	6102.5130

Articles for enhanced glow wire test requirements acc. IEC 60695-2-11 to -13 can be ordered with ending ".15" (xxxx.xxxx.15). They are suitable for the use in unattended household equipment acc. IEC 60335-1.

Packaging unit 50 Pcs

Accessories

Description



Assorted Covers
Rear Cover

0859.0048

4311.9401

4311.9402

4311.9404



Cord retaining kits
Cord retaining strain relief

Flat head, Z

0888.0021

Countersunk, C

4700.0003

Mating Outlets/Connectors

Category / Description

[ConnectorOverview complete](#)



IEC Connector C15, Rewireable, Straight

0101

IEC Connector C15A, Rewireable, Straight

0102

IEC Connector C15A, Rewireable, Straight

0102-G

IEC Connector C15A, Rewireable, Angled

0112

IEC Connector C13, Rewireable, Angled

4012

[Connectorfurther types to6102-5](#)

...



Power Cord Overview complete

Power Cord with IEC Connector C17, Angled	0301
Power Cord with IEC Connector C13, Angled	0311
Power Cord with IEC Connector C13, Angled	3011
Power Cord with IEC Connector C13, Angled	3012
Power Cord with IEC Connector C13, Angled	3013
Power Cord further types to 6102-5	...

Power Supply or Interconnection Cord Overview complete

Divers Power Supply and Interconnection Cords 10 A	Kabelverbindung/10 A
Power Supply or Interconnection Cord further types to 6102-5	