

IEC Appliance Inlet C6, Screw-on Mounting, Front Side, Solder Terminal

**Description**

- Panel Mount:
- Screw-on mounting from front or rear-side
- Appliance Inlet, Pin temperature 70 °C, Protection class I
- Solder terminals for wires or PCB

**Approvals**

- UL File Number: E96454
- CSA File Number: 73165

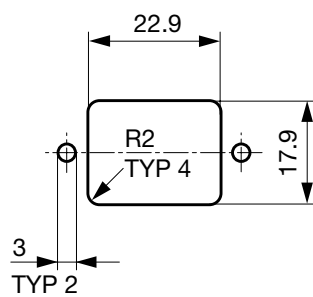
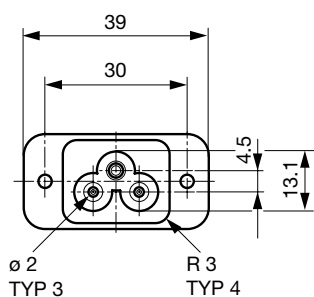
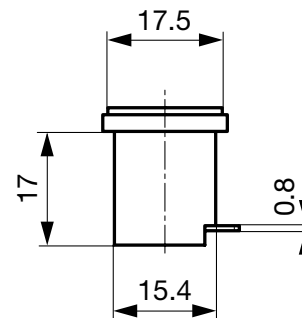
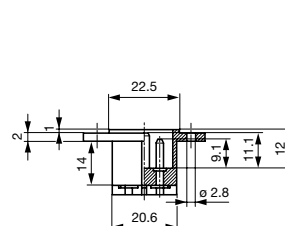
**References****Weblinks**

General Product Information, Approvals, RoHS, CHINA-RoHS, Mating Connectors, e-Store, SCHURTER-Stock-Check, Distributor-Stock-Check, Accessories

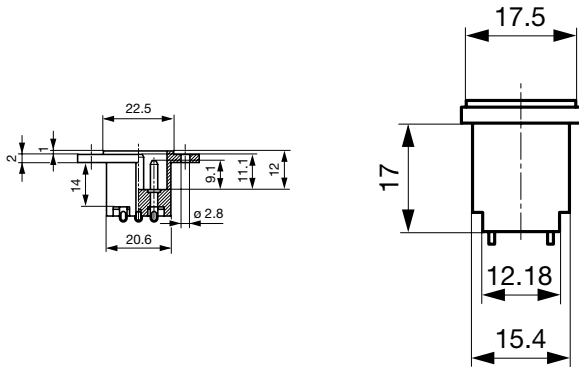
**Technical Data**

Ratings IEC	2.5A / 250VAC; 50Hz
Ratings UL/CSA	2.5A / 250VAC; 60Hz
Dielectric Strength	> 2kVAC between L-N > 2kVAC between L/N-PE (1 min/50Hz)
Allowable Operation Temp.	-25 °C to 70 °C
Degree of Protection	from front side IP 40 acc. to IEC 60529
Protection Class	Suitable for appliances with protection class 1 acc. to IEC 61140
Terminal	Solder terminals for wires or PCB
Panel Thickness s	Screw: max 4 mm Mounting screw torque max 0.5 Nm
Material: Housing	Thermoplastic, black, UL 94V-0

Appliance Inlet	C6 acc. to IEC/EN 60320-1, UL 498, CSA C22.2 no. 42 (for cold conditions) pin-temperature 70 °C, 2.5A, Protection Class 1
-----------------	---

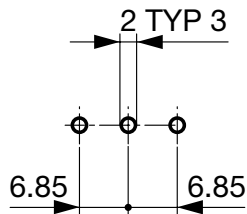
**Dimensions****Solder terminals for PCB**

Solder terminals for wires



### Drilling diagrams

PCB Layout



### Variants

Type	Panel mounting	Panel Thickness s [mm]	Terminal	Order Number
0724	Screw	4	PCB	4300.0101
0724	Screw	4	Solder terminals	4300.0100

Packaging unit 100 Pcs

### Mating Outlets/Connectors

Category / Description



[Power Cord Overview complete](#)

Power Cord with IEC Connector C5, Angled	2512
Power Cord with IEC Connector C5, Straight	2530
Power Cord further types to 0724	