

NEMA line Outlet 5-15R, Snap-in Mounting, Front Side, Solder Terminal



Description

- Panel Mount:
- Snap-in, Front-Side
- 1 Function:
- Line Outlet, Protection class I
- Solder terminals

Approvals

- UL File Number: E132269
- CSA File Number: 73690

Characteristics

- Designed for standard applications
- Qualified for use in equipment according IEC/EN 60950

References

Alternative: protection class II version 0715

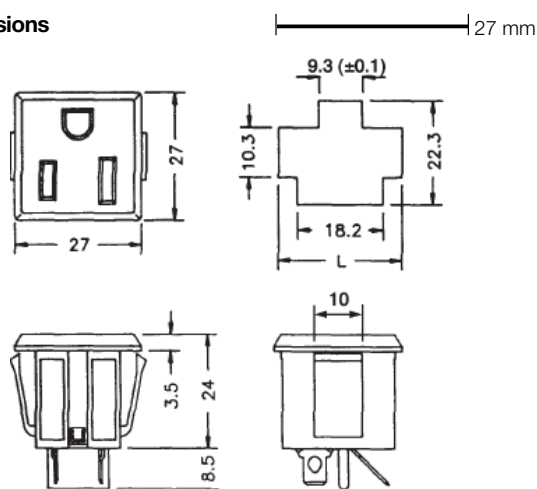
Weblinks

[General Product Information](#), [Approvals](#), [RoHS](#), [CHINA-RoHS](#), [Mating Connectors](#), [e-Store](#), [SCHURTER-Stock-Check](#), [Distributor-Stock-Check](#), [Accessories](#)

Technical Data

| | |
|---------------------------|---|
| Ratings IEC | 15 A / 250VAC; Hz |
| Ratings UL/CSA | 15 A / 125VAC; 60 Hz |
| Allowable Operation Temp. | -25 °C to +60 °C |
| Degree of Protection | from front side IP 20 acc. to IEC 60529 |
| Protection Class | Suitable for appliances with protection class 1 acc. to IEC 61140 |
| Terminal | Solder terminals |
| Panel Thickness s | Snap-in 0.8 mm to 1.6 mm |
| Material: Housing | Thermoplastic, black |

Dimensions



| Panel thickness s | length L | |
|-------------------|----------|----------------|
| 0.8 mm | 24.0 mm | 1.0 mm 24.6 mm |
| 1.2 mm | 25.2 mm | 1.6 mm 26.2 mm |

Variants

| Type | Protection Class | Panel mounting | Panel Thickness s [mm] | Terminal | Order Number |
|------|------------------|----------------|------------------------|----------|--------------|
| 0709 | 1 | Snap-in | 0.8 -1.6 | Solder | 4300.0701 |

Packaging unit 50 Pcs

Mating Inlets/Plugs

Category / Description



Power Supply Cord Overview complete

| | |
|---|------|
| Power Supply Cord with NEMA 5-15 Power (Mains) Plug 3-pole, Angled | 1140 |
| Power Supply Cord with NEMA 1-15 Power (Mains) Plug 2-pole, Straight | 4190 |
| Power Supply Cord with NEMA 1-5p Power (Mains) Plug polarized, 2-pole, Straight | 4191 |
| Power Supply Cord with NEMA 1-15 Power (Mains) Plug 2-pole, Straight | 419c |
| Power Supply Cord with NEMA 5-15 Power (Mains) Plug 3-pole, Straight | 4390 |

[Power Supply Cord further types to 0709](#)

Power Supply or Interconnection Cord Overview complete



| | |
|---|---------------|
| Divers Power Supply and Interconnection Cords 10 A | 6009.1315 |
| Divers Power Supply and Interconnection Cords 16 A | 6009.5195 |
| Divers Power Supply and Interconnection Cords 10 A | 6047.6414 |
| Divers Power Supply and Interconnection Cords 2.5 A | CS01.0221.150 |
| Divers Power Supply and Interconnection Cords 2.5 A | CS02.0221.150 |

[Power Supply or Interconnection Cord further types to 0709](#)