

DESCRIPTION	7-16-92	3
DATE	APP'D./DATE	REV

C. Westoby

SAFETY ORGANIZATION(S):

THIS MODULE HAS BEEN FORMALLY RECOGNIZED, CERTIFIED OR APPROVED BY THE LISTED AGENCY. THEREFORE, ALL TEST/REQUIREMENTS SPECIFIED IN THE LATEST REVISION OF THE FOLLOWING AGENCY STANDARDS HAVE BEEN MET:

UL RECOGNIZED
CSA CERTIFIED

OPERATING SPECIFICATIONS:

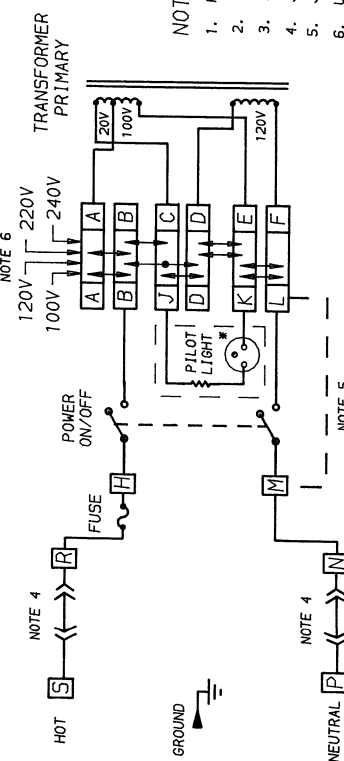
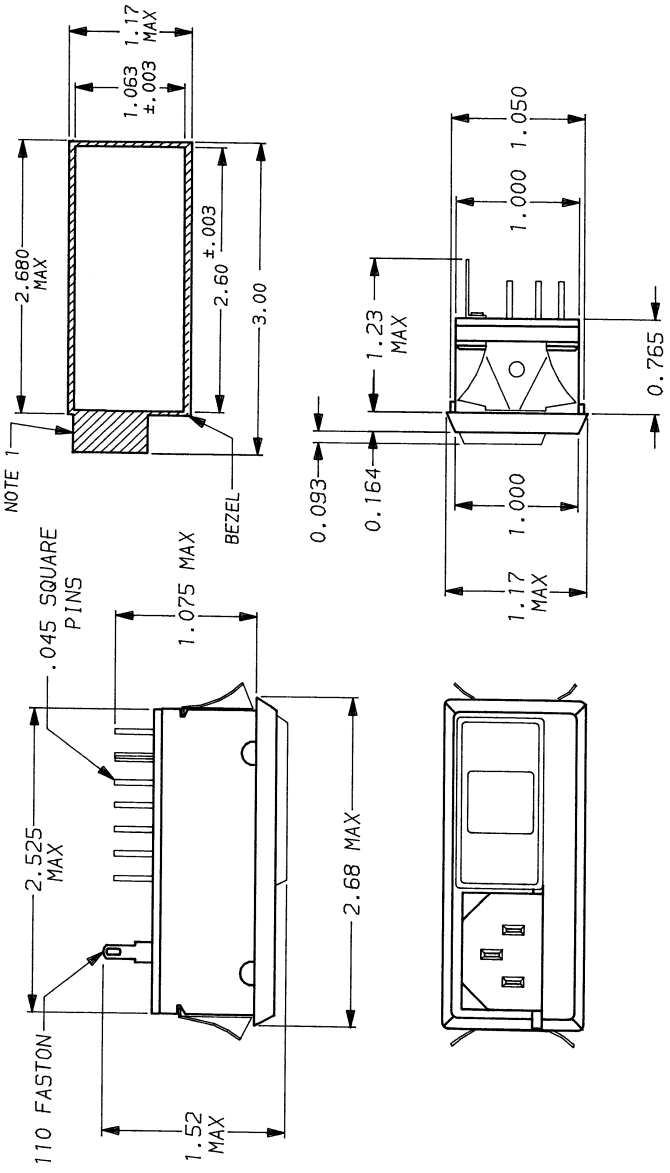
LINE VOLTAGE/CURRENT: 6 AMP., 120/250 VAC
LINE FREQUENCY: 50-60HZ
MAX. LEAKAGE CURRENT, EACH LINE TO GROUND: 2 µA @ 120VAC 60 Hz
5 µA @ 250VAC 50 Hz
OPERATING VOLTAGES: 100, 120, 220, 240 VAC
6VJ1
6VJ1-2

RELIABILITY SPECIFICATIONS:

STORAGE TEMPERATURE: -40°C TO +85°C
HUMIDITY: 21 DAYS @ 40°C 95% RH
CURRENT OVERLOAD TEST: 6 TIMES RATED CURRENT FOR 8 SECONDS
TEST SPECIFICATIONS: 6000 Mo (MIN) AT 100 VDC
INSULATION RESISTANCE: 20°C AND 50% RH
RECOMMENDED RECEIVING INSPECTION HIPOUT: 2250 VDC FOR 1 MINUTE
LINE TO GROUND: 1450 VDC FOR 1 MINUTE

FILTER APPROVAL:
THE BEST WAY TO SELECT AND QUALIFY A FILTER IS FOR YOUR ENGINEERING TO TEST THE UNIT IN YOUR EQUIPMENT.

MOUNTING DIAGRAM
CLEARANCE REQUIRED



NOTES:

1. FUSE COVER DOOR SHOWN IN OPEN POSITION
2. STANDARD UNITS MOUNT IN PANEL THICKNESS OF 0.600 ±.030
3. STANDARD CLIPS SOLD SEPARATELY FOR PANEL THICKNESSES OF .500
4. JUMPERS REQUIRED IF NO FILTER IS USED
5. JUMPER REQUIRED IF ONLY SPST POWER SWITCH IS USED.
6. USE ONLY 120V AND 240V POSITIONS FOR 6VJ1-2

* NOT SUPPLIED

This document is proprietary to CORCOM INC. and is not to be reproduced nor used for manufacturing purposes except on CORCOM's order or prior written consent.

TOLERANCE EXCEPT AS NOTED DECIMAL: .XXX .XX .X ANGLES ENGLISH: ±.015 METRIC: ±	corcom LIBERTYVILLE, IL 60048	
	POWER LINE FILTER	
SCALE: NTS 8-10-90	DRG. NO. 6VJ1 & 6VJ1-2	REV. 03
DRW. BY: CFM	CFM	

6VJ1-03