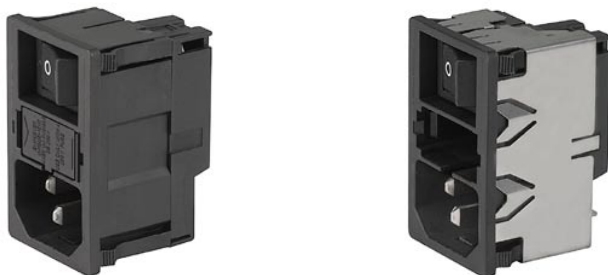


IEC Appliance Inlet C14 with Fuseholder 2-pole, Line Switch 1- or 2-pole

Plug removal necessary for fuse replacement



KM with shield

**Description**

- Panel Mount:
 - Snap-in version from front side
- 3 Functions:
 - Appliance Inlet Protection class I, Line Switch 2-pole, Fuseholder for fuse-links 5 x 20 mm 1- or 2-pole
- Quick connect terminals 4.8 x 0.8 mm
- With cover on rear-side

Approvals

- VDE Certificate Number: 40021981
- UL File Number: E93617

Characteristics

- Ultra-compact design. Small dimensions in front of and behind the panel
- All single elements are already wired
- For added safety "Extra-Safe" fuse drawers are available
 - Fuse drawer meets requirements of medical standard IEC/EN 60601-1
 - The fuse drawer can only be opened with the aid of a tool
 - The fuseholder is accessible from the equipment front
- Ideal for application with high transient loads
- Qualified for use in equipment according IEC/EN 60950

Other versions on request

- Fuse drawer 1-pole, plus spare fuse case
- Fuse drawer 2-pole, with shorting bar
- Line switch 1-pole
- Other rocker marking
- Protection class II, 70°C

References

- Alternative: version with line filter [KMF](#)
- Alternative: version for screw mounting [DD11](#)

Weblinks

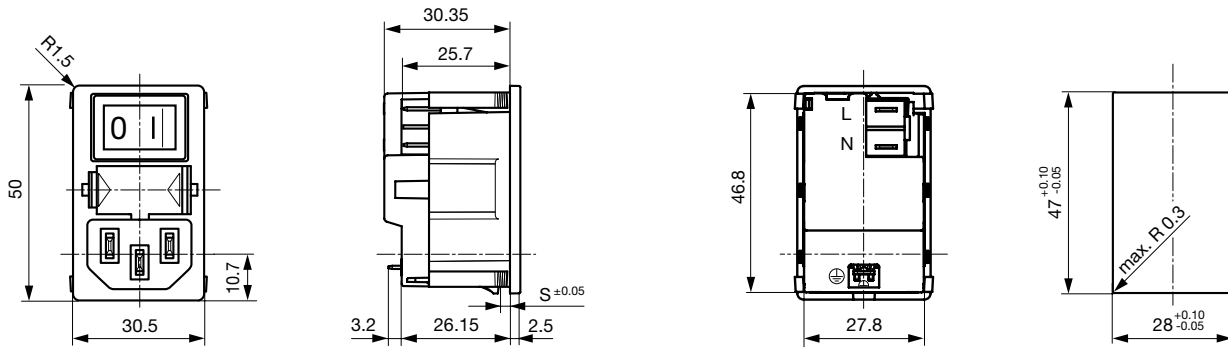
[General Product Information](#), [Approvals](#), [RoHS](#), [CHINA-RoHS](#), [Mating Connectors](#), [e-Store](#), [SCHURTER-Stock-Check](#), [Distributor-Stock-Check](#), [Accessories](#), [Wire Harness](#)

Technical Data

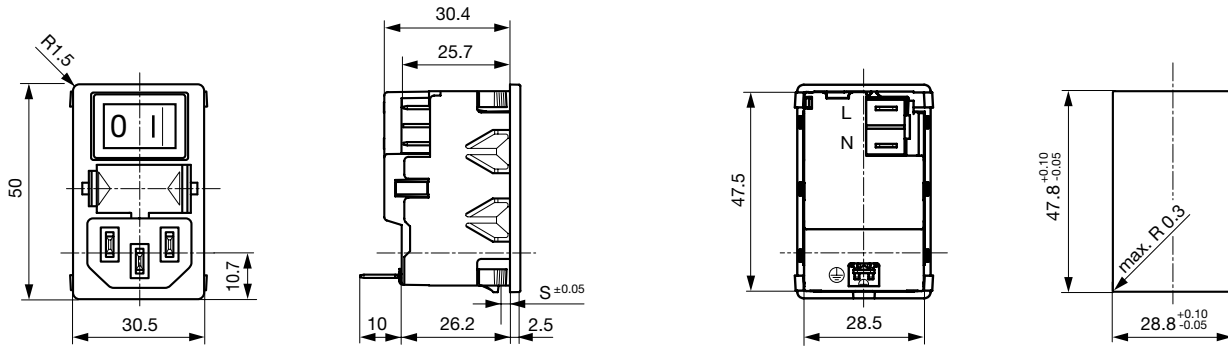
Ratings IEC	10A / 250VAC; 50Hz
Ratings UL/CSA	10A / 250VAC; 60Hz
Dielectric Strength	> 2.5kVAC between L-N > 3kVAC between L/N-PE (1 min/50Hz)
Allowable Operation Temp.	-25°C to 70°C
Degree of Protection	from front side IP 40 acc. to IEC 60529
Protection Class	Suitable for appliances with protection class 1 acc. to IEC 61140
Terminal	Quick connect terminals 4.8 x 0.8 mm, tin-plated
Panel Thickness s	Snap-in: 1/1.5/2/2.5 mm (all steps with one variant)
Material: Housing	Thermoplastic, black, UL 94V-0

Appliance Inlet	C14 acc. to IEC/EN 60320-1, UL 498, CSA C22.2 no. 42 (for cold conditions) pin-temperature 70 °C, 10A, Protection Class 1
Fuseholder	1 or 2 pole, Shocksafe category PC2 acc. to IEC 60127-6, for fuse-links 5 x 20mm
Rated Power Acceptance @ Ta 23 °C	5 x 20: 2W (1 pole)/ 1.4W (2-pole) per pole Choose fuse-links for 2-pole version in such a way that the typical power acceptance is less than 1.4 W for each pole
Power Acceptance @ Ta > 23°C	Admissible power acceptance at higher ambient temperature see derating curves
Line Switch	Rocker switch 2-pole, non-illuminated, acc. to IEC 61058-1 Technical details

Dimensions
KM without shield

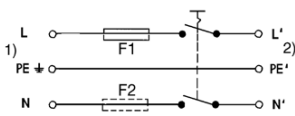


KM with shield



Diagrams

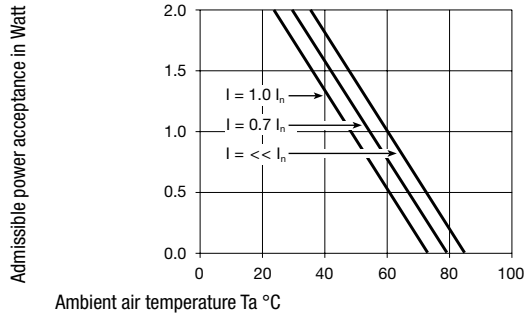
with shield



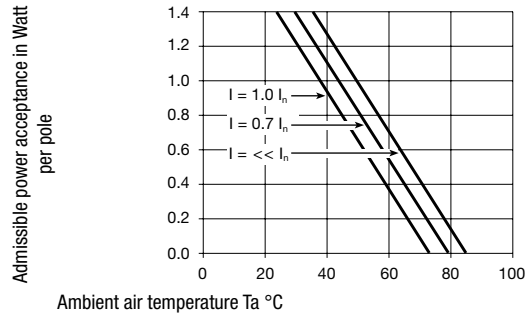
- 1) Line
- 2) Load

Derating Curves

1-pole



2-pole



Variants

Fuse drawer must be ordered separately (see accessories).
Fingerrip and Extra Safe. The same drawer as used by type KEA.

Fuseholder	Line Switch	EMC-Shielding	Order Number
1-pole	2-pole	-	KM00.1205.11
2-pole	2-pole	-	KM00.1105.11
1-pole	2-pole	With EMC-shield and without line filter	KM01.1205.11
2-pole	2-pole	With EMC-shield and without line filter	KM01.1105.11

Packaging unit 50 Pcs

Required Accessory

Description	
Fusedrawer 2 Fusedrawer with and without Voltage Selector Insert	
Fingerrip, 2-pole	4301.1401
Extra-Safe, 2-pole	4301.1403
Fingerrip, 1-pole	4301.1405
Extra-Safe, 1-pole	4301.1407
...	

Accessories

Assorted Covers
Rear Cover

0859.0076

Wire Harness
Wire harness for SCHURTER products



Cord retaining kits
Cord retaining strain relief

Flat head, A	4700.0001
--------------	-----------

Mating Outlets/Connectors

Category / Description

[Appliance Outlet Overview complete](#)



IEC Appliance Outlet F, Screw-on Mounting, Front Side, Solder Terminal	4787
IEC Appliance Outlet F, Snap-in Mounting, Front Side, Solder or Quick-connect Terminal	4788
IEC Appliance Outlet F or H, Screw-on Mounting, Front Side, Solder, PCB or Quick-connect Terminal	5091
IEC Appliance Outlet F or H, Screw-on Mounting, Front Side, Solder or Quick-connect Terminal	5092

[Appliance Outlet further types to KM](#)

[Connector Overview complete](#)



IEC Connector C15, Rewireable, Straight	0101
IEC Connector C15A, Rewireable, Straight	0102
IEC Connector C15A, Rewireable, Straight	0102-G
IEC Connector C15A, Rewireable, Angled	0112
IEC Connector C13, Rewireable, Angled	4012

[Connector further types to KM](#)

[Power Cord Overview complete](#)



Power Cord with IEC Connector C13, Angled	0311
Power Cord with IEC Connector C13, Angled	3011
Power Cord with IEC Connector C13, Angled	3012
Power Cord with IEC Connector C13, Angled	3013
Power Cord with IEC Connector C13	3020

[Power Cord further types to KM](#)