

## IEC Connector C15, Rewireable, Angled



4784

**Description**

- Cord Connectors (rewireable):  
Screw-on mounting
- Connector, Pin temperature 120 °C, Protection class I
- Cable

**Approvals**

- VDE Certificate Number: 40010732
- UL File Number: E96454
- CSA File Number: 56242

**References**

Substitute for type 8111; 8943.LW

**Weblinks**

[General Product Information](#), [Approvals](#), [RoHS](#), [CHINA-RoHS](#), [Mating Connectors](#), [e-Store](#), [SCHURTER-Stock-Check](#), [Distributor-Stock-Check](#), [Accessories](#)

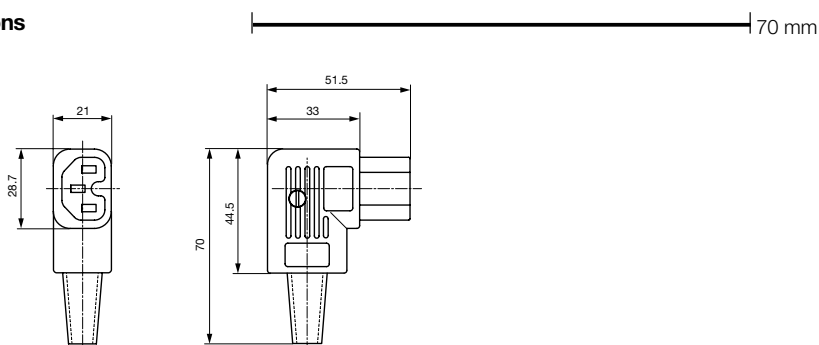
**Technical Data**

Ratings IEC	10A / 250VAC; 50Hz
Ratings UL/CSA	15A / 250VAC; 60Hz
Dielectric Strength	> 2 kVAC between L-N > 2 kVAC between L/N-PE (1 min/50Hz)
Allowable Operation Temp.	-25 °C to 120 °C
Protection Class	Suitable for appliances with protection class 1 acc. to IEC 61140
Terminal	Cable
Material: Housing	Thermoplastic, black, UL 94V-0

Connector	C15 acc. to IEC/EN 60320-1, UL 498, CSA C22.2 no. 42 (for hot conditions) pin-temperature 120 °C, 10A, Protection Class 1
-----------	---

**Dimensions**

4784

**Variants**

Color	Max. cable diameter	Max. wire size	Order Number
black	8.5 mm	3 x 1 mm <sup>2</sup> / 3 x 18 AWG	4784.0000
black	10.0 mm	3 x 2.1 mm <sup>2</sup> / 3 x 14 AWG	4784.0100

Max. torque for screws: Terminal: 0.5 Nm, Cable clamp: 0.3 Nm, Cover: 0.3 Nm

Cord retaining clamp see accessories

**Packaging unit** 100 Pcs

## Mating Inlets/Plugs

## Category / Description

[Appliance Inlet Overview complete](#)

IEC Appliance Inlet C16, Screw-on Mounting, Front Side, Quick-connect or Screw-on Terminal	0161
IEC Appliance Inlet C16, Screw-on Mounting, Front Side, Quick-connect or Screw-on Terminal	0161-Y
IEC Appliance Inlet C16, Screw-on Mounting, Front or Rear Side, Quick-connect or Screw-on Terminal	0163
IEC Appliance Inlet C16, Screw-on Mounting, Front Side, Screw-on Terminal	0164
IEC Appliance Inlet C16, Snap-in Mounting, Front Side, Quick-connect Terminal	0165

[Appliance Inlet further types to 4784](#)

...

[Distribution Unit Overview complete](#)

Distribution Unit for Snap-in Mounting with 1 IEC Appliance Inlet C14 and 1 Appliance Outlet F	0712
Distribution Unit with 1 IEC Appliance Inlet C14 or Power Cord, 4 IEC Appliance Outlets F and Extra Components	4740
Distribution Unit with 1 IEC Appliance Inlet C14 and 2 Appliance Outlets F, Shuttered	4741
Distribution Unit with 1 IEC Appliance Inlet C14 and 4 Appliance Outlets F	4747

[Distribution Unit further types to 4784](#)

[Interconnection Cord Overview complete](#)

Interconnection Cord with IEC Plug E, Angled	0607
Interconnection Cord with IEC Plug E, Angled	0608
Interconnection Cord with IEC Plug E, Straight	0609
Interconnection Cord with IEC Plug G, Angled	607B
Interconnection Cord with IEC Plug G, Angled	608B

[Interconnection Cord further types to 4784](#)

...

[Plug Overview complete](#)

IEC Plug E, Cord Connector (Rewireable), Straight, max. cable Diameter 8.5 mm	4732
IEC Plug E, Cord Connector (Rewireable), Angled, max. Cable Diameter 10 mm	4733
IEC Plug E, Cord Connector (Rewireable), Straight, max. Cable Diameter 10 mm	4735
IEC Plug E, Cord Connector (Rewireable), Angled, max. Cable Diameter 10 mm	4736
IEC Plug E, Cord Connector (Rewireable), Straight	9009

[Plug further types to 4784](#)

...

[Power Entry Module Overview complete](#)

IEC Appliance Inlet C14 or C18 with Fuseholder 1- or 2-pole	1062
IEC Appliance Inlet C14 or C18 with Fuseholder 1- or 2-pole	1064
IEC Appliance Inlet C18 with Fuseholder 1-pole	1065
IEC Appliance Inlet C18 with Fuseholder 1- or 2-pole	1066
IEC Appliance Inlet C14 with Fuseholder 1- or 2-pole	1092

[Power Entry Module further types to 4784](#)

...

[Power Entry Module with line filter Overview complete](#)

IEC Appliance Inlet C14 with Filter	5110
IEC Appliance Inlet C14 with Filter, Circuit Breaker TA45	5145
IEC Appliance Inlet C14 with Filter, Fuseholder 1-pole	5200
IEC Appliance Inlet C14 with Filter, Fuseholder 1- or 2-pole	5220
IEC Appliance Inlet C14 with Filter, Fuseholder 2-pole	8843-8

[Power Entry Module with line filter further types to 4784](#)

...