

IEC Connector C15, Rewireable, Straight



4781

**Description**

- Cord Connectors (rewireable):
Screw
- Connector, Pin temperature 120 °C, Protection class I
- Cable

Approvals

- VDE Certificate Number: 40010732
- UL File Number: E96454
- CSA File Number: 56242

References**Weblinks**

General Product Information, Approvals, RoHS, CHINA-RoHS, Mating Connectors, e-Store, SCHURTER-Stock-Check, Distributor-Stock-Check, Accessories

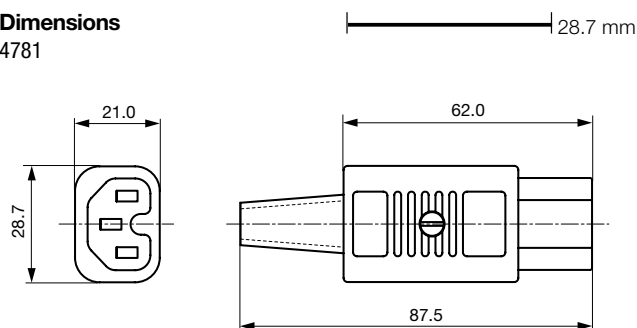
Technical Data

| | |
|---------------------------|---|
| Ratings IEC | 10A / 250VAC; 50Hz |
| Ratings UL/CSA | 15A / 250VAC; 60Hz |
| Dielectric Strength | > 2 kVAC between L-N > 2 kVAC between L/N-PE (1 min/50Hz) |
| Allowable Operation Temp. | -25 °C to 120 °C |
| Protection Class | Suitable for appliances with protection class 1 acc. to IEC 61140 |
| Terminal | Cable |
| Material: Housing | Thermoplastic, black, UL 94V-0 |

| | |
|-----------|---|
| Connector | C15 acc. to IEC/EN 60320-1, UL 498, CSA C22.2 no. 42 (for hot conditions) pin-temperature 120 °C, 10A, Protection Class 1 |
|-----------|---|

Dimensions

4781

**Variants**

| Color | Max. cable diameter | Max. wire size | Order Number |
|-------|---------------------|--------------------------------------|--------------|
| black | 8.5 mm | 3 x 1 mm ² / 3 x 18 AWG | 4781.0000 |
| black | 10.0 mm | 3 x 2.1 mm ² / 3 x 14 AWG | 4781.0100 |

Max. torque for screws: Terminal: 0.5 Nm, Cable clamp: 0.3 Nm, Cover: 0.3 Nm

Cord retaining clamp see accessories

Packaging unit 100 Pcs

Accessories

Description

[Cord retaining kits](#)
Cord retaining strain relief



| | |
|----------------|-----------|
| Flat head, A | 4700.0001 |
| Countersunk, B | 4700.0002 |
| Countersunk, C | 4700.0003 |
| Flat head, E | 4700.0005 |
| ... | ... |

Mating Inlets/Plugs

Category / Description

[Appliance Inlet Overview complete](#)

| | |
|--|--------|
| IEC Appliance Inlet C16, Screw-on Mounting, Front Side, Quick-connect or Screw-on Terminal | 0161 |
| IEC Appliance Inlet C16, Screw-on Mounting, Front Side, Quick-connect or Screw-on Terminal | 0161-Y |
| IEC Appliance Inlet C16, Screw-on Mounting, Front or Rear Side, Quick-connect or Screw-on Terminal | 0163 |
| IEC Appliance Inlet C16, Screw-on Mounting, Front Side, Screw-on Terminal | 0164 |
| IEC Appliance Inlet C16, Snap-in Mounting, Front Side, Quick-connect Terminal | 0165 |
| Appliance Inlet further types to 4781 | ... |

[Distribution Unit Overview complete](#)

| | |
|--|------|
| Distribution Unit for Snap-in Mounting with 1 IEC Appliance Inlet C14 and 1 Appliance Outlet F | 0712 |
| Distribution Unit with 1 IEC Appliance Inlet C14 or Power Cord, 4 IEC Appliance Outlets F and Extra Components | 4740 |
| Distribution Unit with 1 IEC Appliance Inlet C14 and 2 Appliance Outlets F, Shuttered | 4741 |
| Distribution Unit with 1 IEC Appliance Inlet C14 and 4 Appliance Outlets F | 4747 |
| Distribution Unit further types to 4781 | ... |

[Interconnection Cord Overview complete](#)

| | |
|--|------|
| Interconnection Cord with IEC Plug E, Angled | 0607 |
| Interconnection Cord with IEC Plug E, Angled | 0608 |
| Interconnection Cord with IEC Plug E, Straight | 0609 |
| Interconnection Cord with IEC Plug G, Angled | 607B |
| Interconnection Cord with IEC Plug G, Angled | 608B |
| Interconnection Cord further types to 4781 | ... |

[Plug Overview complete](#)

| | |
|---|------|
| IEC Plug E, Cord Connector (Rewireable), Straight, max. cable Diameter 8.5 mm | 4732 |
| IEC Plug E, Cord Connector (Rewireable), Angled, max. Cable Diameter 10 mm | 4733 |
| IEC Plug E, Cord Connector (Rewireable), Straight, max. Cable Diameter 10 mm | 4735 |
| IEC Plug E, Cord Connector (Rewireable), Angled, max. Cable Diameter 10 mm | 4736 |
| IEC Plug E, Cord Connector (Rewireable), Straight | 9009 |
| Plug further types to 4781 | ... |

[Power Entry Module Overview complete](#)

| | |
|---|------|
| IEC Appliance Inlet C14 or C18 with Fuseholder 1- or 2-pole | 1062 |
| IEC Appliance Inlet C14 or C18 with Fuseholder 1- or 2-pole | 1064 |
| IEC Appliance Inlet C18 with Fuseholder 1-pole | 1065 |
| IEC Appliance Inlet C18 with Fuseholder 1- or 2-pole | 1066 |
| IEC Appliance Inlet C14 with Fuseholder 1- or 2-pole | 1092 |
| Power Entry Module further types to 4781 | ... |

Category / Description

[Power Entry Module with line filter](#) [Overview complete](#)

| | |
|--|--------|
| IEC Appliance Inlet C14 with Filter | 5110 |
| IEC Appliance Inlet C14 with Filter, Circuit Breaker TA45 | 5145 |
| IEC Appliance Inlet C14 with Filter, Fuseholder 1-pole | 5200 |
| IEC Appliance Inlet C14 with Filter, Fuseholder 1- or 2-pole | 5220 |
| IEC Appliance Inlet C14 with Filter, Fuseholder 2-pole | 8843-8 |
| Power Entry Module with line filter further types to4781 | ... |