

IEC Appliance Inlet C14 with Line Switch 1-pole

V-Lock

**Description**

- Panel Mount:
Screw-on version from front or rear side, snap-in version from front side
- 2 Functions:
Appliance Inlet Protection class I, Line Switch 1-pole
- Quick connect terminals 4.8 x 0.8 mm

Approvals

- VDE Certificate Number: 40021941
- UL File Number: E96454
- CSA File Number: 38456

Characteristics

- All single elements are already wired
Unwired versions available on request
- Line switch non-illuminated or illuminated

Other versions on request

- Unwired versions
- Line switch with other rocker marking
- For protection class II

References

Alternative: version with line filter [KFB1](#)
We recommend for new applications the new type [DC11](#)

Weblinks

[General Product Information](#), [Approvals](#), [RoHS](#), [CHINA-RoHS](#), [Mating Connectors](#), [e-Store](#), [SCHURTER-Stock-Check](#), [Distributor-Stock-Check](#), [Accessories](#)

Newly available variants corresponding to V-Lock mating cordset. The connector is equipped with a notch intended for use with the latching cordset. The cord latching system prevents against accidental removal of the cordset.

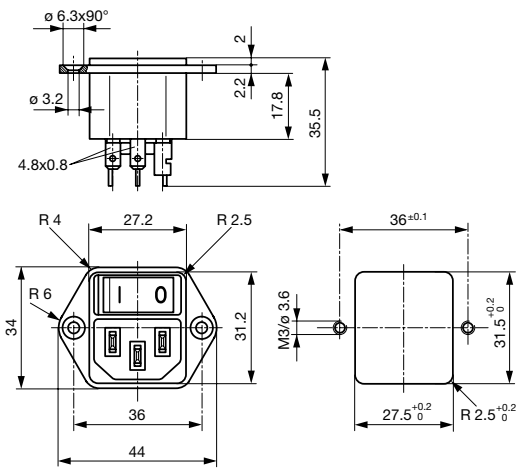
Technical Data

Ratings IEC	10A / 250VAC; 50Hz
Ratings UL/CSA	10A / 250VAC; 60Hz
Dielectric Strength	> 3kVAC between L-N > 4kVAC between L/N-PE (1 min/50Hz)
Allowable Operation Temp.	-25°C to 70°C
Degree of Protection	from front side IP 40 acc. to IEC 60529
Protection Class	Suitable for appliances with protection class 1 acc. to IEC 61140
Terminal	Quick connect terminals 4.8 x 0.8 mm
Panel Thickness s	Screw: max 6 mm Mounting screw torque max 0.5Nm Snap-in: 1.5/2/2.5 mm
Material: Housing	Thermoplastic, black, UL 94V-0

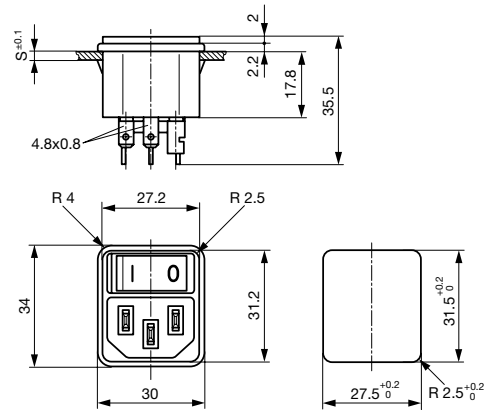
Appliance Inlet	C14 acc. to IEC/EN 60320-1, UL 498, CSA C22.2 no. 42 (for cold conditions) pin-temperature 70 °C, 10A, Protection Class 1
Line Switch	Rocker switch 1-pole, non-illuminated or illuminated red, acc. to IEC 61058-1 Technical details

Dimensions

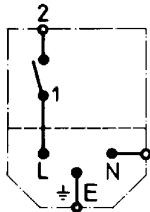
Screw on PCB mounting



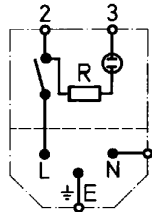
44 mm
Snap-in mounting



Diagrams



non-illuminated



illuminated

Variants

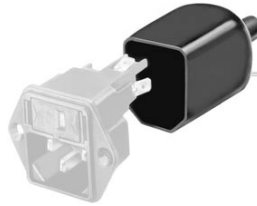

with internal connections

Panel mounting	Panel Thickness s [mm]	Illumination	Color	Rated voltage 250 [V]	Rated voltage 125 [V]	Order Number
Screw	-	-	-	-	-	4302.0001
Screw	-	●	red	-	125	4302.0121
Screw	-	●	red	250	-	4302.0101
Snap-in	1.5	-	-	-	-	4302.0002
Snap-in	2	-	-	-	-	4302.0003
Snap-in	2.5	-	-	-	-	4302.0004
Snap-in	1.5	●	red	-	125	4302.0122
Snap-in	1.5	●	red	250	-	4302.0102
Snap-in	2	●	red	-	125	4302.0123
Snap-in	2	●	red	250	-	4302.0103
Snap-in	2.5	●	red	-	125	4302.0124
Snap-in	2.5	●	red	250	-	4302.0104

Packaging unit

50 Pcs

Accessories

Description		
	Assorted Covers	0859.0047
	Rear Cover	0859.0075
		4311.9403
		4311.9404
	Cord retaining kits	
	Cord retaining strain relief	
	Flat head, A	4700.0001
	Countersunk, B	4700.0002

Mating Outlets/Connectors

Category / Description		
	Appliance Outlet Overview complete	
	IEC Appliance Outlet F, Screw-on Mounting, Front Side, Solder Terminal	4787
	IEC Appliance Outlet F, Snap-in Mounting, Front Side, Solder or Quick-connect Terminal	4788
	IEC Appliance Outlet F or H, Screw-on Mounting, Front Side, Solder, PCB or Quick-connect Terminal	5091
	IEC Appliance Outlet F or H, Screw-on Mounting, Front Side, Solder or Quick-connect Terminal	5092
	Appliance Outlet further types to KEB1	
	Connector Overview complete	
	IEC Connector C15, Rewireable, Straight	0101
	IEC Connector C15A, Rewireable, Straight	0102
	IEC Connector C15A, Rewireable, Straight	0102-G
	IEC Connector C15A, Rewireable, Angled	0112
	IEC Connector C13, Rewireable, Angled	4012
	Connector further types to KEB1	...
	Power Cord Overview complete	
	Power Cord with IEC Connector C13, Angled	0311
	Power Cord with IEC Connector C13, Angled	3011
	Power Cord with IEC Connector C13, Angled	3012
	Power Cord with IEC Connector C13, Angled	3013
	Power Cord with IEC Connector C13	3020
	Power Cord further types to KEB1	...