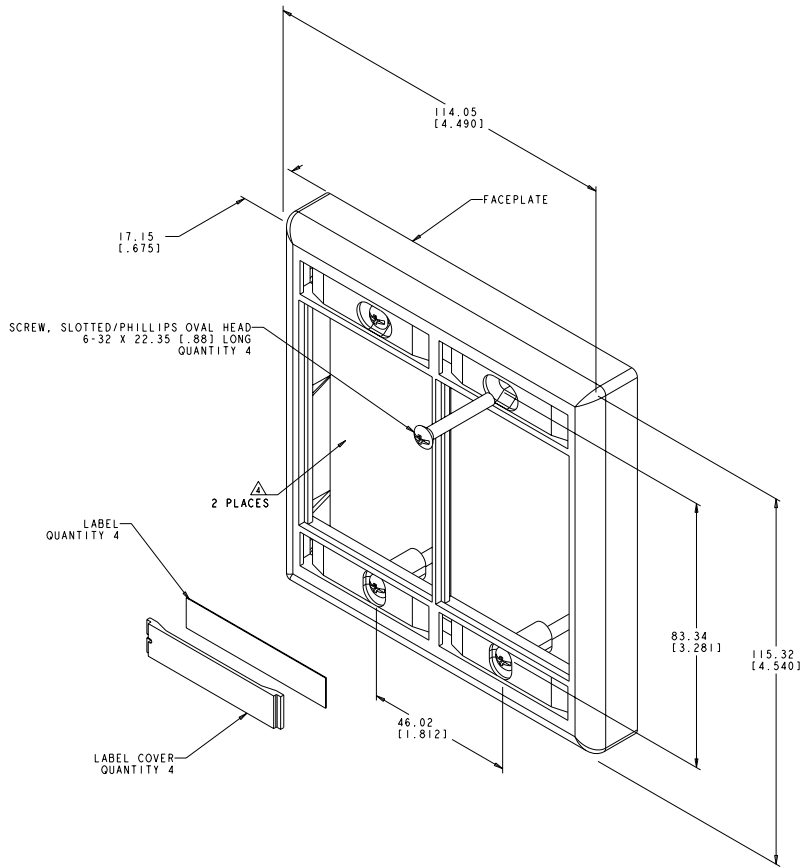


REV	DATE	DESCRIPTION	BY	CHK	APP
A	00	REV: NPR NS003-025	JUN03	GG	GB
B		REV ECO-11-000935	FEB011	LN	RA



- △ MATERIAL: FACEPLATE - ABS MOLDING COMPOUND.
 SEE TABLE FOR COLOR.
 LABEL COVERS - POLYCARBONATE MOLDING COMPOUND.
 LABELS - WHITE INDEX PAPER.
 SCREWS - ZINC PLATED CARBON STEEL.
- 2. THIS KIT SHIPPED NOT ASSEMBLED.
- △ DIMENSIONS ARE NOMINAL.
- △ OPENING ACCEPTS THREE 1 UNIT OR TWO 1.5 UNIT SL SERIES MODULES.

COLOR	PART NUMBER
ELECTRIC IVORY	I-1479486-1
NEMA GRAY	1479486-4
WHITE	1479486-3
BLACK	1479486-2
LIGHT ALMOND	1479486-1

DATE: 02/28/18 DWG NO: 22AP003 REV: 00 SCALE: 2:1 SHEET: 1 OF 1 CUSTOMER DRAWING	DESIGNED BY: J. GABRIEL CHECKED BY: J. SOMMER DATE: 02/28/18 PROJECT NO: 000-8388 REV: 00	TECH ELECTRONICS CORPORATION 17105-3600 HARRISBURG, PA 17105-3600	KIT FACEPLATE DOUBLE GANG, SL SERIES, STANDARD PART NUMBER: I-1479486 REV: 00
---	---	---	--