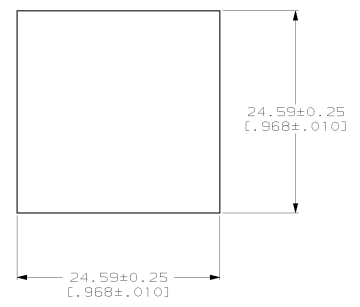
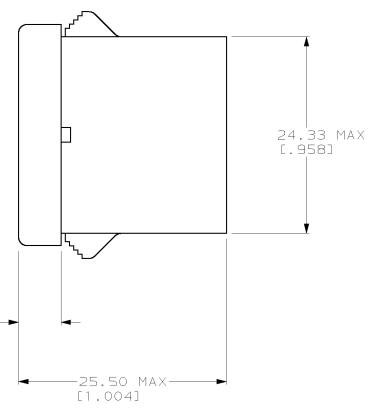
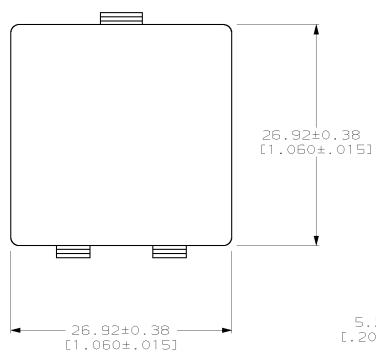


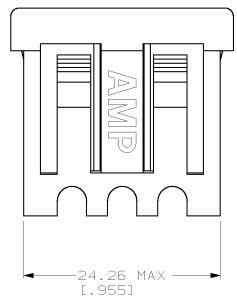
4 3 2 1

THIS DRAWING IS UNPUBLISHED. RELEASED FOR PUBLICATION  
 (C) COPYRIGHT IS BY AMP INCORPORATED. ALL RIGHTS RESERVED.

REV. NO.	DATE	DESCRIPTION	BY	APP'D.
0	19 AUG 99	RLSE NPR 5743		



RECOMMENDED PANEL CUTOUT  
 PANEL THICKNESS  
 0.76-1.78  
 [.030-.070]



NYLON, UL 94V-0 RATED, BLACK.

796285-1  
 PART NUMBER

THIS DRAWING IS A CONTROLLED DOCUMENT.		DATE	13AUG1999	AMP Incorporated Harrisburg, PA 17105-3608
DRAWN BY		DESIGNED BY	13AUG1999	
DIMENSIONS		DATE	13AUG1999	<b>PANEL PLUG</b>
DRAWN BY		DATE	13AUG1999	
MATERIAL		PROJECT SPEC		SIZE CASE CODE (DRAWING NO.)
FINISH		APPLICATION SPEC		A2 00773 C= 796285
		WEIGHT		RESTRICTED TO
		CUSTOMER DRAWING		SCALE 4:1 SHEET 1 OF 1 REV 0

796285