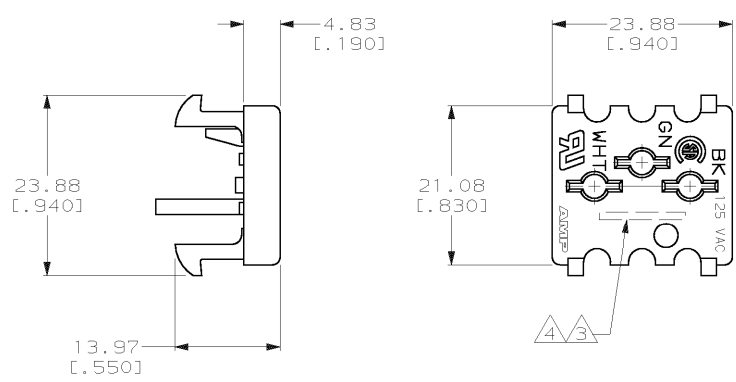


DRAWING MADE IN THIRD ANGLE PROJECTION

THIS DRAWING IS UNPUBLISHED. RELEASED FOR PUBLICATION, 19 .

© COPYRIGHT 19 BY AMP INCORPORATED. ALL INTERNATIONAL RIGHTS RESERVED.

LOC	DIST	P	F	ZONE	LTR	REVISIONS	DATE	APPD
BD	39				01	ADDED -3 NPR 4908, WAS 93-4957-003-1 REDRAWN ON CAD	08/24/93	-
					A	REV PER EC0020-540-94	05/06/94	ATC
					B	OBSOLETE -3 PER EC 0020-1427-94	01/26/95	ATC
					C	REV PER EC 061C-69-99	27 JUL 99	RE
					D	REV PER 063B-0240-99	13 JAN 00	DAB



- 1 NYLON, BLACK, UL 94V-2 RATED.
- 2 NYLON, FLAME RETARDANT, BLACK, UL 94V-0 RATED.
- 3 WIRE AND RATING IN THIS AREA: "12 AND 14 AWG-15A".
- 4 WIRE AND RATING IN THIS AREA: "18 AWG-10A" AND 16 AWG-13A.

OBSOLETE	3	2	211110-3
	4	1	211110-2
	3	1	211110-1
	WIRE AND RATING		PART NO
DO NOT SCALE PRINT. UNLESS SPECIFIED DIMENSIONS IN MM [INCHES] TOLERANCES ON: 2 PLC DEC ± 0.25 [0.010] 3 PLC DEC ± - ANGLES ± -	DR 08/24/93 D.GELTY CHK 08/26/93 R.STONE APPD 08/27/93 T.COULSON	AMP AMP Incorporated Harrisburg, PA 17105-3608	
MATERIAL SEE TABLE	PRODUCT SPEC -	NAME COVER, CONVENIENCE OUTLET, SPECIAL	
FINISH -	APPLICATION SPEC -	SIZE B	CAGE CODE 00779
	WEIGHT -	DRAWING NO C=211110	SHEET 1 OF 1
		SCALE 2:1	

THIS DRAWING IS A CONTROLLED DOCUMENT FOR AMP INCORPORATED. IT IS SUBJECT TO CHANGE AND THE CONTROLLING ENGINEERING ORGANIZATION SHOULD BE CONTACTED FOR THE LATEST REVISION.