

4

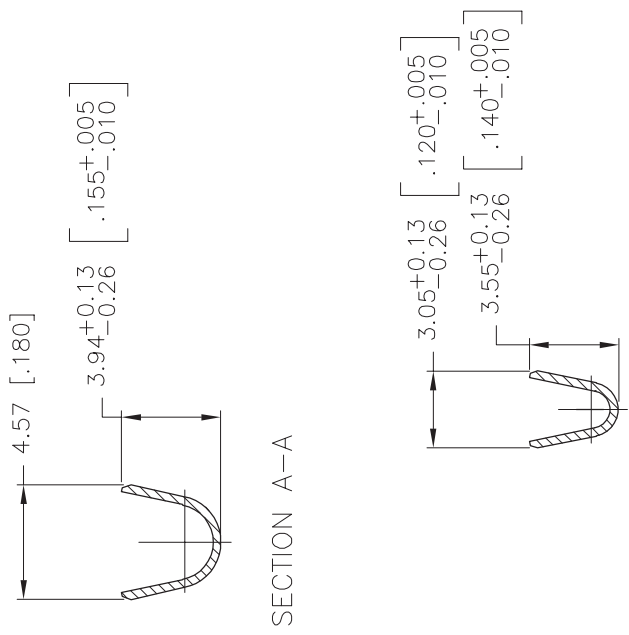
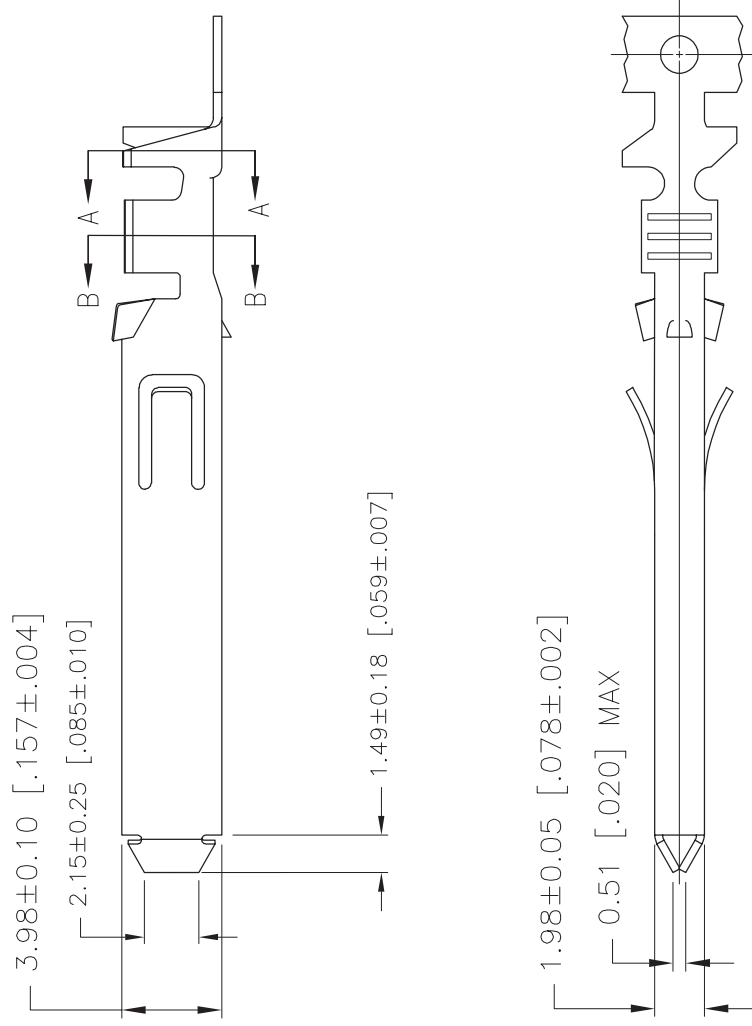
2

3

1

THIS DRAWING IS UNPUBLISHED. RELEASED FOR PUBLICATION BY TYCO ELECTRONICS CORPORATION. ALL RIGHTS RESERVED.

LOC	DIST	REVISIONS	
CM	O	P	LTR
		C1	
		REVISED PER ECO-05-011422	
		DATE	DWN
		21OCT05	KW
			DB



- ACCOMMODATES 14 THRU 18 AWG WIRE INSULATION. RANGE 2.03 - 3.43 [-.080 - .135] DIA.

TIN	208914-4
TIN-LEAD	208914-2
FINISH	PART NUMBER

THIS DRAWING IS A CONTROLLED DOCUMENT.		DWN	26OCT2005	Tyco Electronics Corporation Harrisburg, PA 17105-3608	
DIMENSIONS: mm [INCHES]		CHK	26OCT2005	CONTACT, RECEPTACLE, POWER CORD	
TOLERANCES UNLESS OTHERWISE SPECIFIED:		APVD	26OCT2005	NAME	
0 PLC	± -	PRODUCT SPEC		SIZE	CAGE CODE DRAWING NO
1 PLC	± -	APPLICATION SPEC		A3	00779 C=208914
2 PLC	± -	WEIGHT		RESTRICTED TO	
3 PLC	± 0.13 [.005]	CUSTOMER DRAWING			
4 PLC	± - ±0.30'			SCALE	5:1
RANGES				SHEET	1 of 1
FINISH				REV	C1

