

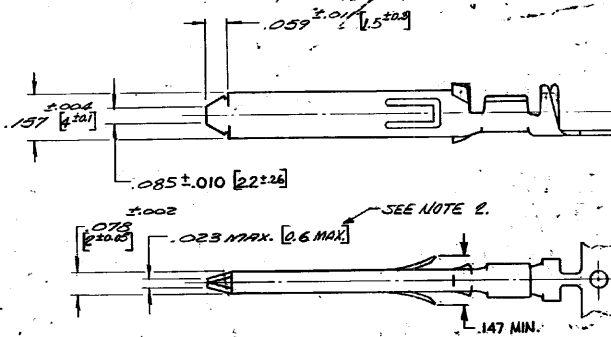
DRAWING MADE IN THIRD ANGLE PROJECTION

© COPYRIGHT 1974 BY AMP INCORPORATED, HARRISBURG, PA. ALL INTERNATIONAL RIGHTS RESERVED. AMP INCORPORATED PRODUCTS COVERED BY U. S. AND FOREIGN PATENTS AND/OR PATENTS PENDING.

REVOLUTIONS		DATE	APPROVED
✓	O RELEASED WAS 5089-2	28	SM
✓	A REV. PER ECN D-045	5/24/74	SM
✓	B REV. PER ECN J-876	5/4/74	SM
✓	C REV. PER ECN R-720	5/17/74	SM
✓	D REV. / ECN R-1917	5-4-74	SM
✓	E ADDED - 3 / ECN R-2735	5-28-74	SM
✓	F REVISED ECN 54620	5-10-74	SM
✓	G REVISED ECN 54712	7-7-74	SM

206638 - 2 1. AS SHOWN.
2. ON STRIP

206638 - 3 1. SAME AS - 2 EXCEPT:
2. LOOSE PIECE



CONTACT U.L. LISTED FOR 15 AMP/250 VOLTS WITH 16 AWG WHEN USED IN AMP INC. HOUSING NO. 206637-1.

1. ACCOMMODATES 20-18-16 AWG, INSULATION RANGE .080 / .135 DIA.
2. FIGURES SHOWN IN BRACKETS REPRESENT DIMENSIONS IN MILLIMETERS.
3. FINISH: TIN .00050 MIN. THICK PER MIL-T-10727 OVER NICKEL (FLASH) PER QQ-N-290. PLATING THICKNESS POINT OF MEASUREMENT EQUALS 1/2 CONTACT LENGTH.

UNLESS OTHERWISE SPECIFIED DIMENSIONS ARE IN INCHES DECIMALS AND ANGLES	CONTRACT NO. DR-206638-73	AMP INCORPORATED Harrisburg, Pa.
MATERIAL BRASS	DATE 4/30/74	NAME PIN CONTACT - POWER CORD REPT. (CRIMP)
FINISH TIN	SIZE B	CODE IDENT NO. 00779
OTHER APPD.	SCALE 2-1	NUMBER 206638
		SHEET 1 OF 1

AMP 1470-15 (1-73)

CUSTOMER DRAWING