

4

3

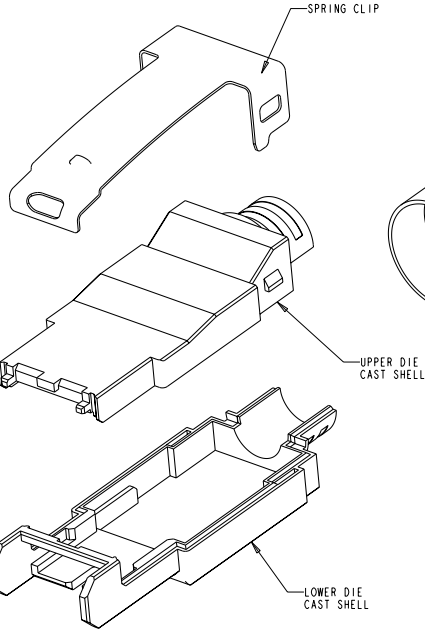
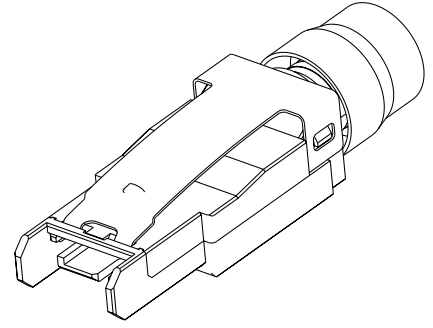
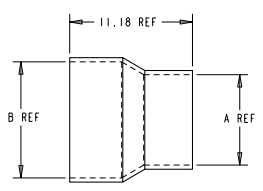
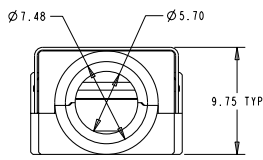
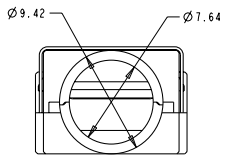
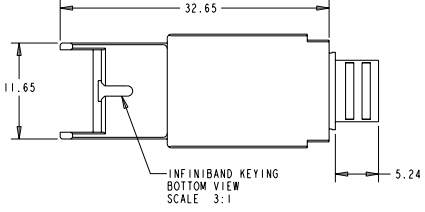
2

1

THIS DRAWING IS UNPUBLISHED. BY TYCO ELECTRONICS CORPORATION. ALL RIGHTS RESERVED.

REV	DATE	BY	CHKD	APPROV
01	18APR06	JG	JG	
A	03MAY06	BW	SS	
A1	09DEC2009	KK	HMR	

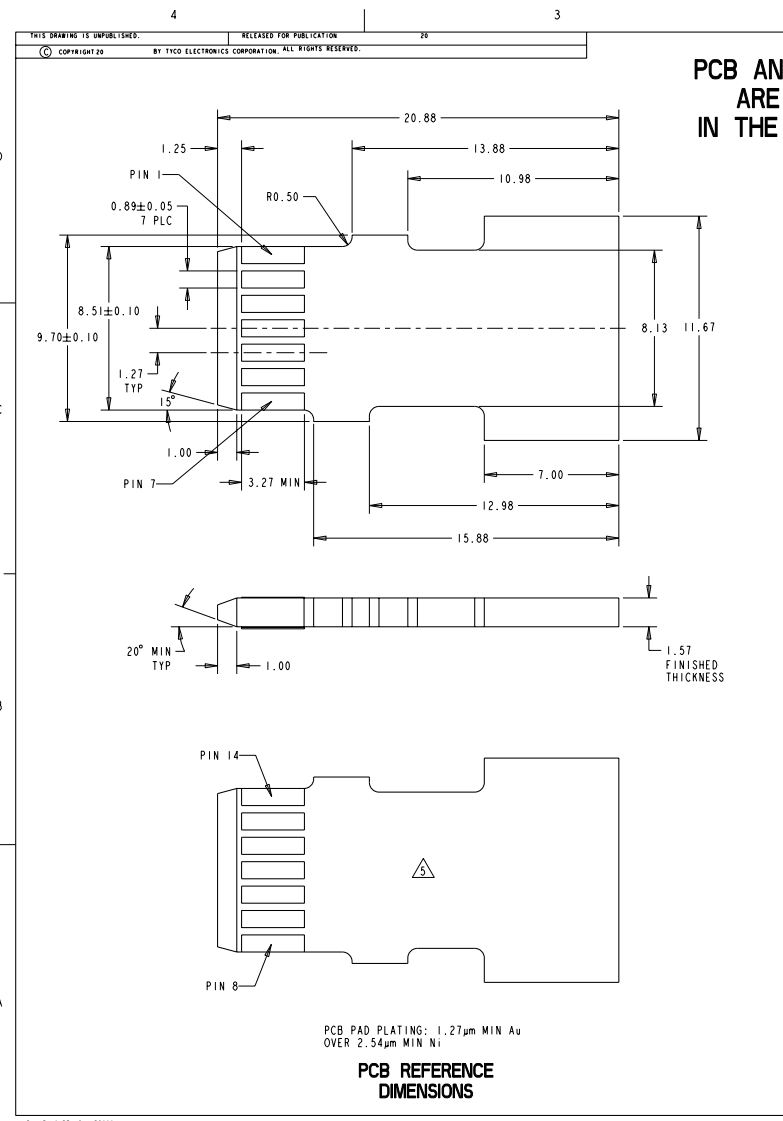
- CABLE PLUG KIT DOES NOT INCLUDE CABLE, OVERMOLD, WIRE ORGANIZER OR PLUG PCB.
 - UPPER AND LOWER DIE CAST FINISH: 3-6 MICROMETERS MIN BRIGHT TIN OVER 1.27 MICROMETERS MIN NICKEL OVER 5.08 MICROMETERS MIN COPPER.
 - SPRING CLIP MATERIAL: PnBr, FINISH: 0.4 MICROMETERS MIN TIN.
 - BULK KIT PACKAGED. 1 PURCHASED PART NUMBER YIELDS 200 PLUG ASSEMBLIES.
- ⚠️ BOTTOM VIEW OF PCB APPLIES ONLY TO 14 POSITION APPLICATIONS. PAD SIZE AND LOCATION SAME AS SHOWN ON TOP VIEW.
- ⚠️ OBSOLETE PARTS: OBSOLETE CIS STREAMLINING PER D.RENAUD/D.SINISI



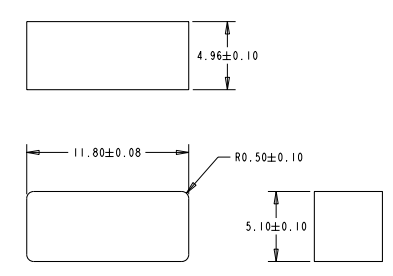
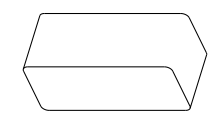
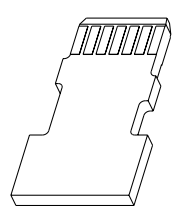
REV	DATE	BY	CHKD	APPROV	DESCRIPTION	PART NUMBER
⚠️					NO FERRULE LARGE CABLE EXIT	1761070-5
⚠️	9.53	11.10			Ø8.26-9.02	1761070-4
⚠️					NO FERRULE SMALL CABLE EXIT	1761070-3
	6.25	9.07			Ø4.06-4.83	1761070-2
	7.62	9.07			Ø5.46-6.22	1761070-1
	A	B			RECOMMENDED CABLE Ø	PART NUMBER

DIMENSIONS: mm		TO DIMENSIONS UNLESS OTHERWISE SPECIFIED		DATE: 23APR04	BY: J. GERACE	APP: C. ROHDE	REV: 23APR04	NAME: N. WALMSLEY	PRODUCT SPEC: 108-1965	APPLICATION SPEC: 114-13097	WEIGHT: -	CUSTOMER DRAWING	
0 PLC	±	1 PLC	±0.13	2 PLC	±	3 PLC	±	4 PLC	±	ANGLES	±	FINISH	
SHEET: A2 CASE CODE: 00779 DRAWING NO: 1761070 SCALE: 5:1 SHEET 1 OF 2 REV: A1													

AMP 1471-9 REV 3/04/2000
PROFENGINEER DRAWING



**PCB AND WIRE ORGANIZER
ARE NOT INCLUDED
IN THE CABLE PLUG KITS**



LOC	DIST	REVISIONS					
GP	00	P	LYA	DESCRIPTION	DATE	OWN	APVS
		-		SEE SHEET 1	-	-	-

<small>TOP DIMENSIONS CONTROLLED BY THE MANUFACTURING DEPARTMENT UNLESS OTHERWISE SPECIFIED FOR THE LOCAL REVISION.</small>		DWG: J GERACE 23APR04 CDR: C. ROHDE 23APR04 APPR: M. MALMSLEY 23APR04	AMP Incorporated Harrisburg, PA 17105-3608
DIMENSIONS: mm	TO MANUFACTURING DEPARTMENT OPERATING SPECIFICATIONS	NAME: M. MALMSLEY PRODUCT SPEC: 108-1965 APPLICATION SPEC: 114-13097	KIT, HSSDC2 PLUG INFINIBAND
MATERIAL: - FINISH: -	WEIGHT: - FINISH: -	SIZE: A2 CASE CODE: 00779 DRAWING NO: 1761070	RESTRICTED TO: - SCALE: 5:1 SHEET: 2 OF 2 REV: A.1
CUSTOMER DRAWING			