

4

3

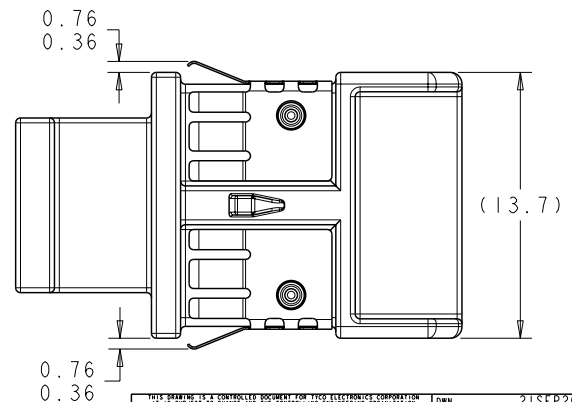
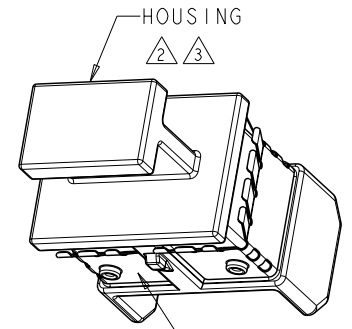
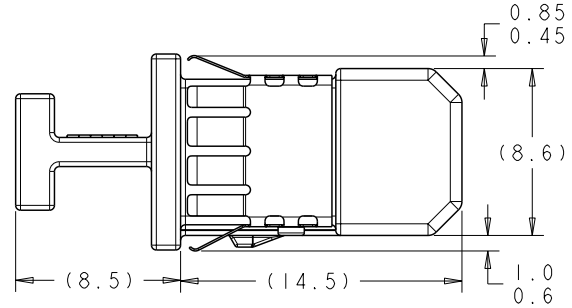
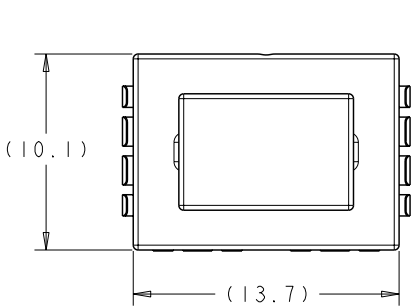
2

1

THIS DRAWING IS UNPUBLISHED. RELEASED FOR PUBLICATION  
COPYRIGHT 20 BY TYCO ELECTRONICS CORPORATION. ALL RIGHTS RESERVED.

LOC DIST  
GP 00

REVISIONS					
P	LTR	DESCRIPTION	DATE	DWN	APVD
A		RELEASED PER ECO-08-027227	5-NOV-08	ZMR	RHW



1888901-1  
SCALE 4:1

1888901-1  
PART NUMBER

- 1 COPPER ALLOY
- 2 ZINC ALLOY PER ASTM B 240
- 3 1.27µm NICKEL PLATE PER QQ-N-290

<small>THIS DRAWING IS A CONTROLLED DOCUMENT FOR TYCO ELECTRONICS CORPORATION IT IS SUBJECT TO CHANGE AND THE CONTROLLING ENGINEERING ORGANIZATION SHOULD BE CONTACTED FOR THE LATEST REVISION.</small>		DWN 21SEP2007 M. E. COWHER CHK D 21SEP2007 D. SZCZESNY APVD D 21SEP2007 D. SZCZESNY	Tyco Electronics Harrisburg, PA 17105-3608
DIMENSIONS: mm	TOLERANCES UNLESS OTHERWISE SPECIFIED: 0 PLC ±- 1 PLC ±- 2 PLC ±- 3 PLC ±- 4 PLC ±- ANGLES ±-	NAME EMI PLUG ASSEMBLY, DIRECT ATTACH PLUG, SFP+	RESTRICTED TO
MATERIAL SEE NOTES	FINISH SEE NOTES	PRODUCT SPEC APPLICATION SPEC WEIGHT CUSTOMER DRAWING	SIZE CAGE CODE DRAWING NO A3 00779 C-1888901
		SCALE 5:1	SHEET 1 OF 1 REV A