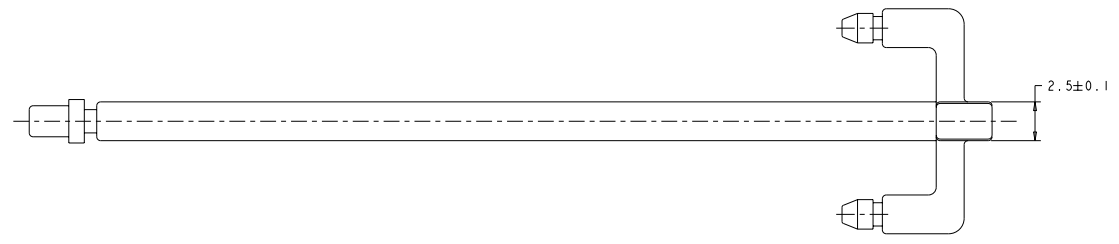
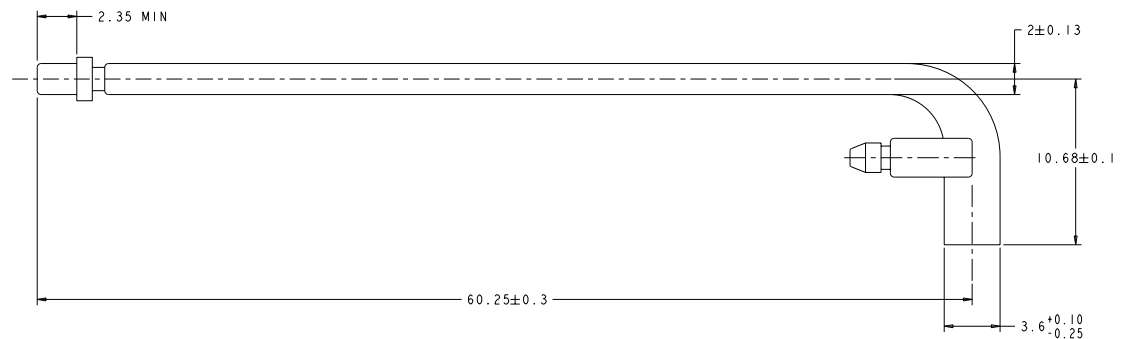
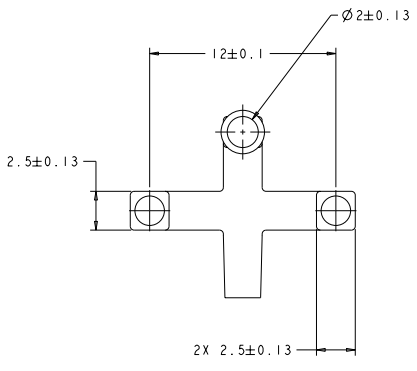


REV. NO.		REVISIONS	
REV.	DATE	DESCRIPTION	BY
A		RELEASED PER ECO-08-024323	BOB/PAW

△ MATERIAL: POLYCARBONATE, CLEAR UL94V-2 RATED.



1888634-1
PART NUMBER

DATE: 08/24/2011	BY: TECH ELECTRONICS CORPORATION	ALL RIGHTS RESERVED	DATE: 08/24/2011	BY: TECH ELECTRONICS CORPORATION	ALL RIGHTS RESERVED
DATE: 08/24/2011	BY: TECH ELECTRONICS CORPORATION	ALL RIGHTS RESERVED	DATE: 08/24/2011	BY: TECH ELECTRONICS CORPORATION	ALL RIGHTS RESERVED
DATE: 08/24/2011	BY: TECH ELECTRONICS CORPORATION	ALL RIGHTS RESERVED	DATE: 08/24/2011	BY: TECH ELECTRONICS CORPORATION	ALL RIGHTS RESERVED