

6

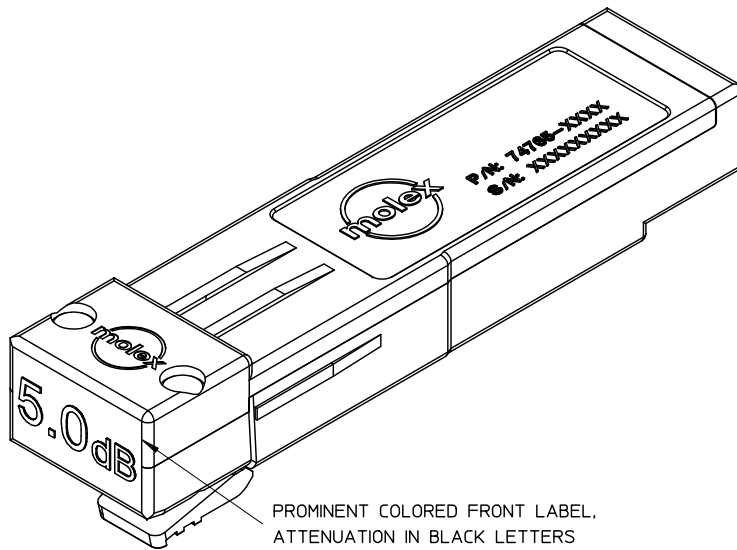
5

4

3

2

1



PROMINENT COLORED FRONT LABEL,  
ATTENUATION IN BLACK LETTERS

1. Mates to SFP components which comply to standard MSA dimension specifications.
2. Support for: Data rates to 10 Gbps
3. Robust zinc die cast body, bright nickel plated. Mounts belly-to-belly using 0.093"+ boards.
4. Raised wedges assure electrical contact with surrounding EMI cage assembly.
5. Spring loaded latch releases with simple squeeze, and pull action.
6. 100 ohm impedance.
7. Supports serial ID functionality.
8. 3.3V supply.
9. Hot pluggable.

PART NUMBER	LABEL COLOR	PART DESCRIPTION
747650904	TAN	SERIAL ID, WITH 5.0 dB ATTENUATION
747650906	LIGHT BLUE	SERIAL ID, WITH 0.0 dB ATTENUATION

ENTER DESCRIPTION EC NO: USY2009-0124 DRWN: JERWIN 2008/09/25 CHKD: BRUSSELL 2008/10/07 APPR: BRUSSELL 2008/10/08 REV C	QUALITY SYMBOLS ▽=0 ▽=0	GENERAL TOLERANCES (UNLESS SPECIFIED)		DIMENSION STYLE MM/IN	SCALE 2:1	DESIGN UNITS METRIC	THIRD ANGLE PROJECTION		
		4 PLACES ± --- ± ---	3 PLACES ± --- ± .005	DRAWN BY JERWIN	DATE 2007/11/07	TITLE SFP+ 10G LOOPBACK ADAPTER			
		2 PLACES ± 0.13 ± ---	1 PLACE ± --- ± ---	CHECKED BY BRUSSELL	DATE 2007/11/07				
ANGULAR ±1/2°		DRAFT WHERE APPLICABLE MUST REMAIN WITHIN DIMENSIONS		APPROVED BY BRUSSELL	DATE 2007/11/07	MOLEX INCORPORATED			
				MATERIAL NO. SEE CHART	DOCUMENT NO. SD-74765-0904	SHEET NO. 1 OF 3			
				SIZE A	THIS DRAWING CONTAINS INFORMATION THAT IS PROPRIETARY TO MOLEX INCORPORATED AND SHOULD NOT BE USED WITHOUT WRITTEN PERMISSION				

fb\_frame\_A\_P\_AM\_T  
Rev. D 2004/06/28

5

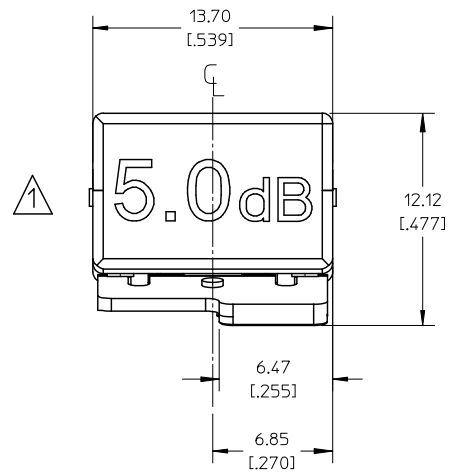
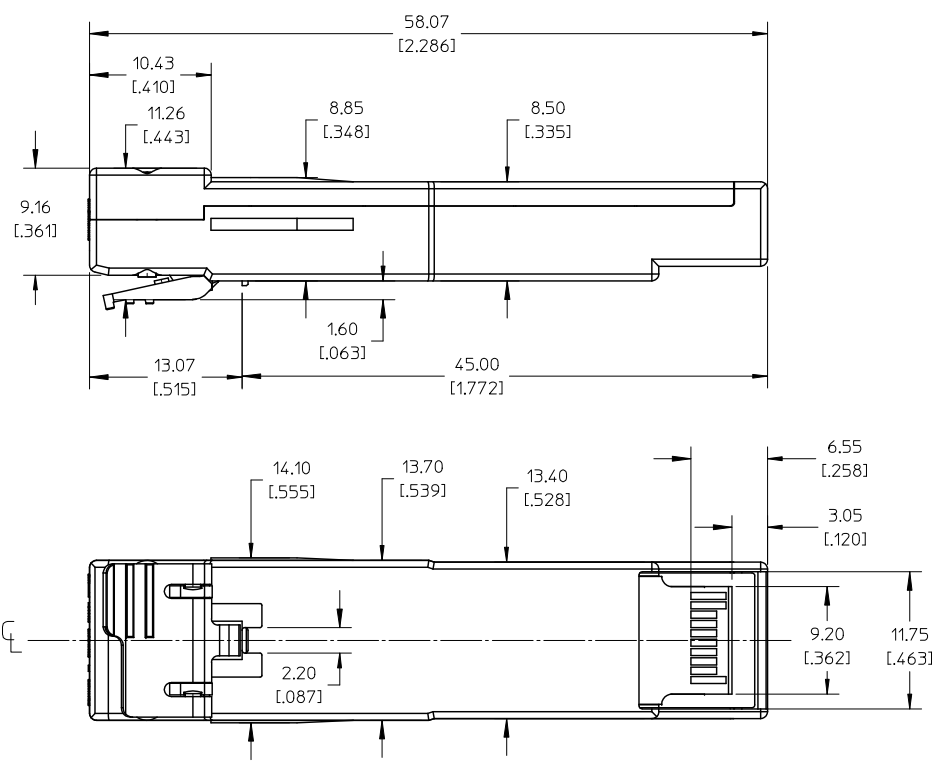
4

3

2

1

6 5 4 3 2 1

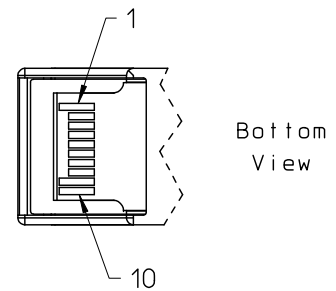
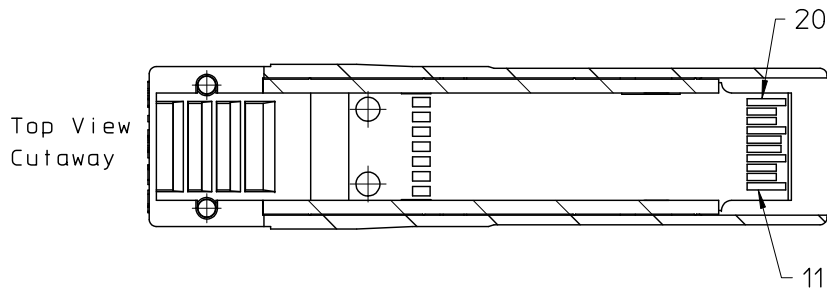


ATTENUATION LEVEL FOR 74765-0904 SHOWN AS EXAMPLE.

<b>ENTER DESCRIPTION</b> EC NO: USY2009-0124 DRWN: JERWIN 2008/09/25 CHKD: BRUSSELL 2008/10/07 APPR: BRUSSELL 2008/10/08	<b>QUALITY SYMBOLS</b> ▽=0 ▽=0	<b>GENERAL TOLERANCES (UNLESS SPECIFIED)</b>		<b>DIMENSION STYLE</b> MM/IN	<b>SCALE</b> 2:1	<b>DESIGN UNITS</b> METRIC	THIRD ANGLE PROJECTION		
		4 PLACES ± --- ± ---	3 PLACES ± --- ± .005	DRAWN BY JERWIN	DATE 2007/11/07	<b>TITLE</b> SFP+ 10G LOOPBACK ADAPTER			
		2 PLACES ± 0.13 ± ---	1 PLACE ± --- ± ---	CHECKED BY BRUSSELL	DATE 2007/11/07	MOLEX INCORPORATED			
		ANGULAR ± 1/2°		APPROVED BY BRUSSELL	DATE 2007/11/07	DOCUMENT NO. SD-74765-0904	SHEET NO. 2 OF 3		
DRAFT WHERE APPLICABLE MUST REMAIN WITHIN DIMENSIONS		SEE CHART		THIS DRAWING CONTAINS INFORMATION THAT IS PROPRIETARY TO MOLEX INCORPORATED AND SHOULD NOT BE USED WITHOUT WRITTEN PERMISSION					

tb\_frame\_A\_P\_AM\_T  
Rev. D 2004/06/28

5 4 3 2 1



Gnd T	20	1	Gnd T
TD-	19	2	Tx Fault
TD+	18	3	Tx Disable
Gnd T	17	4	MOD-DEF(2)
VccT	16	5	MOD-DEF(1)
VccR	15	6	MOD-DEF(0)
Gnd R	14	7	Rate Select
RD+	13	8	LOS
RD-	12	9	Gnd R
Gnd R	11	10	Gnd R

ENTER DESCRIPTION EC NO: USY2009-0124 DRWN: JERWIN 2008/09/25 CHKD: BRUSSELL 2008/10/07 APPR: BRUSSELL 2008/10/08	QUALITY SYMBOLS ▼=0 ▽=0	GENERAL TOLERANCES (UNLESS SPECIFIED)		DIMENSION STYLE	SCALE	DESIGN UNITS	THIRD ANGLE PROJECTION	
				MM/IN	2:1	METRIC		
				DRAWN BY	DATE	TITLE		
				CHECKED BY	DATE	SFP+ 10G LOOPBACK ADAPTER		
DESCRIPTION REV C			APPROVED BY	DATE	MOLEX INCORPORATED		SHEET NO. 3 OF 3	
			BRUSSELL	2007/11/07	DOCUMENT NO.			
			MATERIAL NO.		SD-74765-0904			
		ANGULAR ±1/2°		SEE CHART				
		DRAFT WHERE APPLICABLE MUST REMAIN WITHIN DIMENSIONS		SIZE A		THIS DRAWING CONTAINS INFORMATION THAT IS PROPRIETARY TO MOLEX INCORPORATED AND SHOULD NOT BE USED WITHOUT WRITTEN PERMISSION		

fb\_frame\_A\_P\_AM\_1  
Rev. D 2004/06/28

5

4

3

2

1