

PROMINENT COLORED FRONT LABEL.  
ATTENUATION IN BLACK LETTERS

1. Mates to SFP components which comply to standard MSA dimension specifications.
2. Support for:
  - Fibre channel data to 2.125 Gbps
  - Gigabit Ethernet data rates to 2.5 Gbps
  - infiniband data rates to 2.5 Gbps
3. Robust zinc die cast body, bright nickel plated. Mounts belly-to-belly using 0.093"+ boards.
4. Raised wedges assure electrical contact with surrounding EMI cage assembly.
5. Spring loaded latch releases with simple squeeze, and pull action.
6. 100 ohm impedance.
7. Supports serial ID functionality.
8. 3.3V or 5.0V supply.
9. Hot pluggable.

PART NUMBER	LABEL COLOR	PART DESCRIPTION
74720-0503	LIGHT GREEN	SERIAL ID, WITH 5.0 dB ATTENUATION
74720-0502	LIGHT BLUE	SERIAL ID, WITH 0.0 dB ATTENUATION
74720-0501	YELLOW	SERIAL ID, WITH 3.5 dB ATTENUATION

ENTER DESCRIPTION EC NO: USY2006-0271 DRWN: ERWIN CHKD: KILLOYD APPR: KILLOYD 2006/02/24 2006/03/03 2006/03/09	QUALITY SYMBOLS ▽=0 ▽=0	GENERAL TOLERANCES (UNLESS SPECIFIED)		DIMENSION STYLE MM/IN		SCALE 2:1	DESIGN UNITS METRIC	THIRD ANGLE PROJECTION		
		4 PLACES ± --- ± ---	3 PLACES ± --- ± .005	2 PLACES ± 0.13 ± ---	1 PLACE ± --- ± ---	DRAWN BY DIRKERS	DATE 2002/05/01	TITLE SFP LOOPBACK ADAPTER		
		ANGULAR ± 1/2°				CHECKED BY BRUSSELL	DATE 2002/05/01			
		DRAFT WHERE APPLICABLE MUST REMAIN WITHIN DIMENSIONS				APPROVED BY RUSSELL	DATE 2002/05/01	MOLEX INCORPORATED		
D	REV			MATERIAL NO. SEE CHART	DOCUMENT NO. SD-74720-0501	SHEET NO. 1 OF 3				

tb\_frame\_A\_P\_AM\_T  
Rev. D 2004/06/28

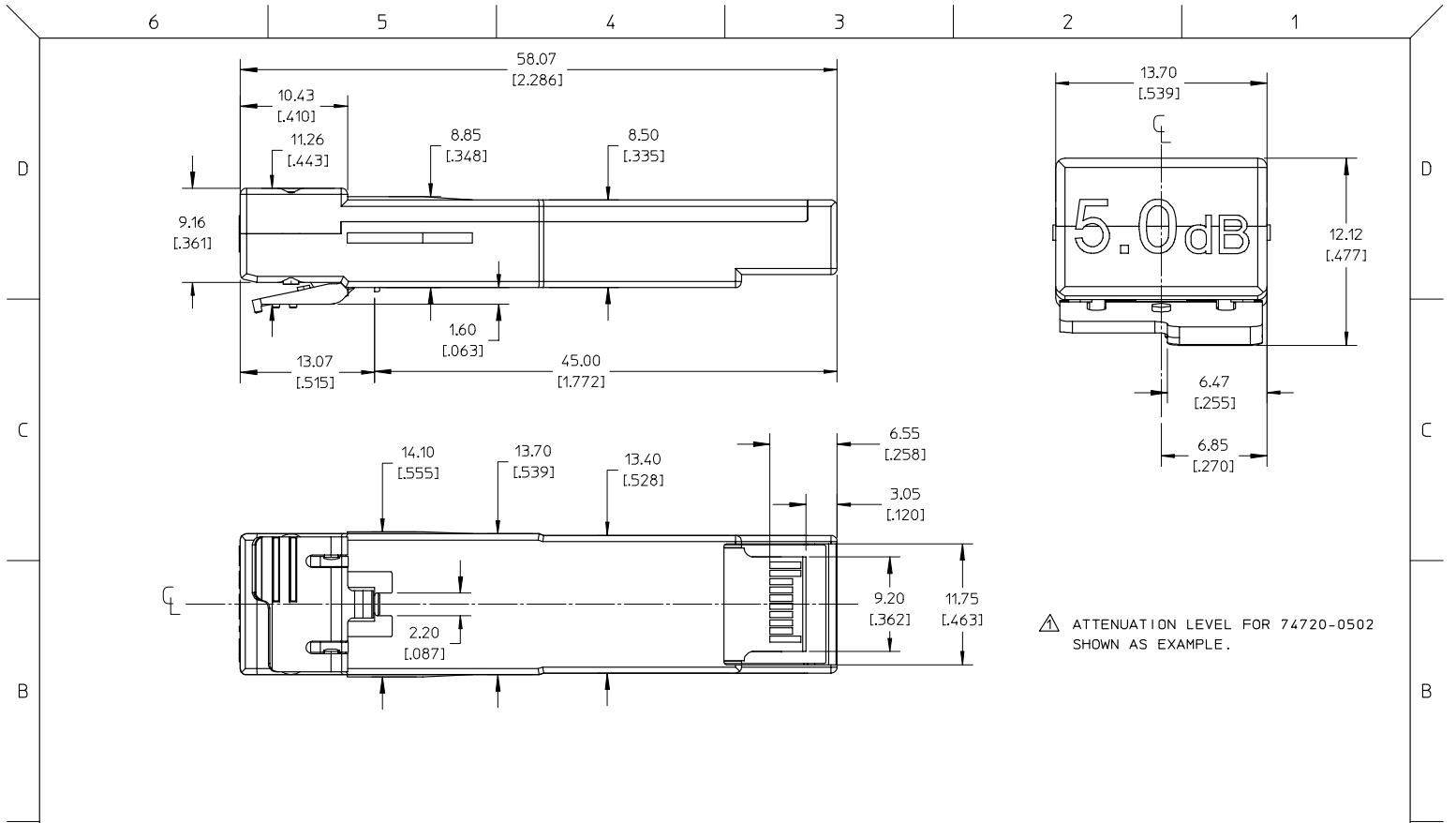
5

4

3

2

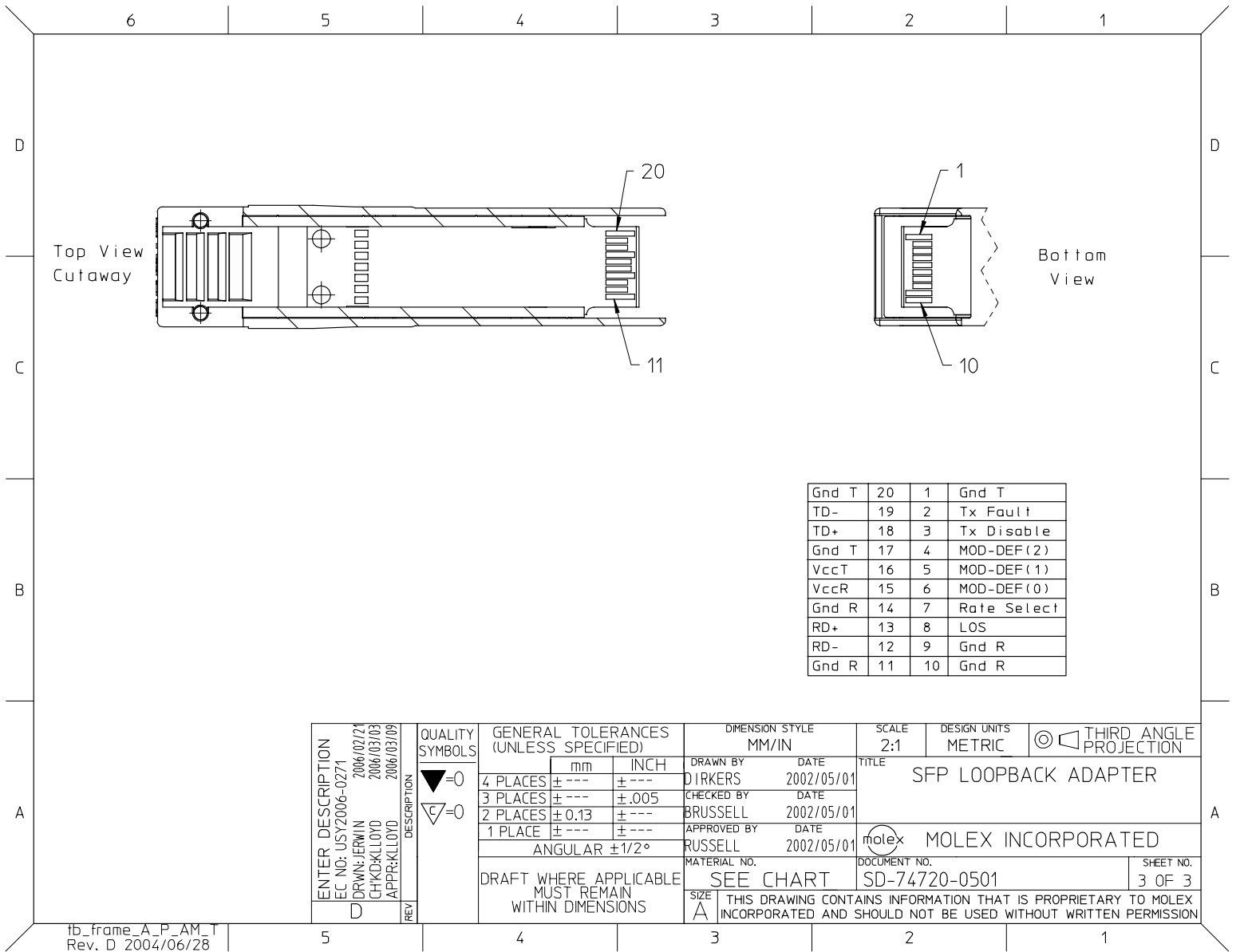
1



ATTENUATION LEVEL FOR 74720-0502 SHOWN AS EXAMPLE.

ENTER DESCRIPTION EC NO: USY2006-0271 DRWN: ERWIN 2006/02/24 CHKD: KLOYD 2006/03/03 APPR: KLOYD 2006/03/09	QUALITY SYMBOLS ▽=0 ◻=0	GENERAL TOLERANCES (UNLESS SPECIFIED)		DIMENSION STYLE MM/IN		SCALE 2:1	DESIGN UNITS METRIC	THIRD ANGLE PROJECTION		
		4 PLACES ± --- ± ---	3 PLACES ± --- ± .005	2 PLACES ± 0.13 ± ---	1 PLACE ± --- ± ---	DRAWN BY DIRKERS	DATE 2002/05/01	TITLE SFP LOOPBACK ADAPTER		
		ANGULAR ±1/2°				CHECKED BY BRUSSELL	DATE 2002/05/01	MOLEX INCORPORATED		
		DRAFT WHERE APPLICABLE MUST REMAIN WITHIN DIMENSIONS				APPROVED BY RUSSELL	DATE 2002/05/01	MATERIAL NO. SEE CHART	DOCUMENT NO. SD-74720-0501	SHEET NO. 2 OF 3

tb\_frame\_A\_P\_AM\_T  
Rev. D 2004/06/28



Gnd T	20	1	Gnd T
TD-	19	2	Tx Fault
TD+	18	3	Tx Disable
Gnd T	17	4	MOD-DEF(2)
VccT	16	5	MOD-DEF(1)
VccR	15	6	MOD-DEF(0)
Gnd R	14	7	Rate Select
RD+	13	8	LOS
RD-	12	9	Gnd R
Gnd R	11	10	Gnd R

ENTER DESCRIPTION EC NO: USY2006-0271 DRWN: ERWIN CHKD: KLOYD APPR: KLOYD	2006/02/24 2006/03/03 2006/03/09	QUALITY SYMBOLS ▽=0 ◻=0	GENERAL TOLERANCES (UNLESS SPECIFIED)		DIMENSION STYLE	SCALE	DESIGN UNITS	THIRD ANGLE PROJECTION		
					MM/IN	2:1	METRIC			
			4 PLACES ± --- ± ---		DRAWN BY	DATE	TITLE			
			3 PLACES ± --- ± .005		DIRKERS	2002/05/01	SFP LOOPBACK ADAPTER			
2 PLACES ± 0.13 ± ---		CHECKED BY	DATE	MOLEX INCORPORATED DOCUMENT NO. SD-74720-0501 SHEET NO. 3 OF 3						
1 PLACE ± --- ± ---		BRUSSELL	2002/05/01							
ANGULAR ±1/2°			APPROVED BY	DATE						
DRAFT WHERE APPLICABLE MUST REMAIN WITHIN DIMENSIONS			RUSSELL	2002/05/01						
			MATERIAL NO.	SEE CHART						
			SIZE	THIS DRAWING CONTAINS INFORMATION THAT IS PROPRIETARY TO MOLEX INCORPORATED AND SHOULD NOT BE USED WITHOUT WRITTEN PERMISSION						

tb\_frame\_A\_P\_AM\_T  
Rev. D 2004/06/28

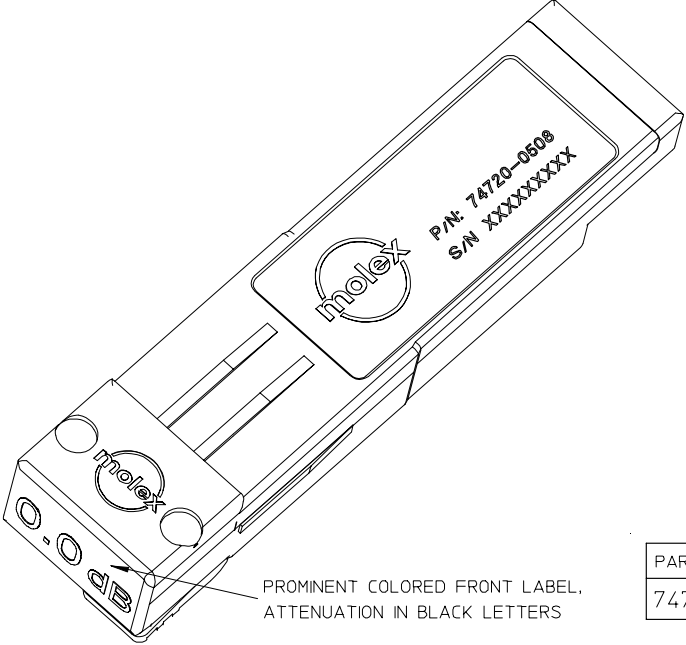
6 5 4 3 2 1

D

C

B

A



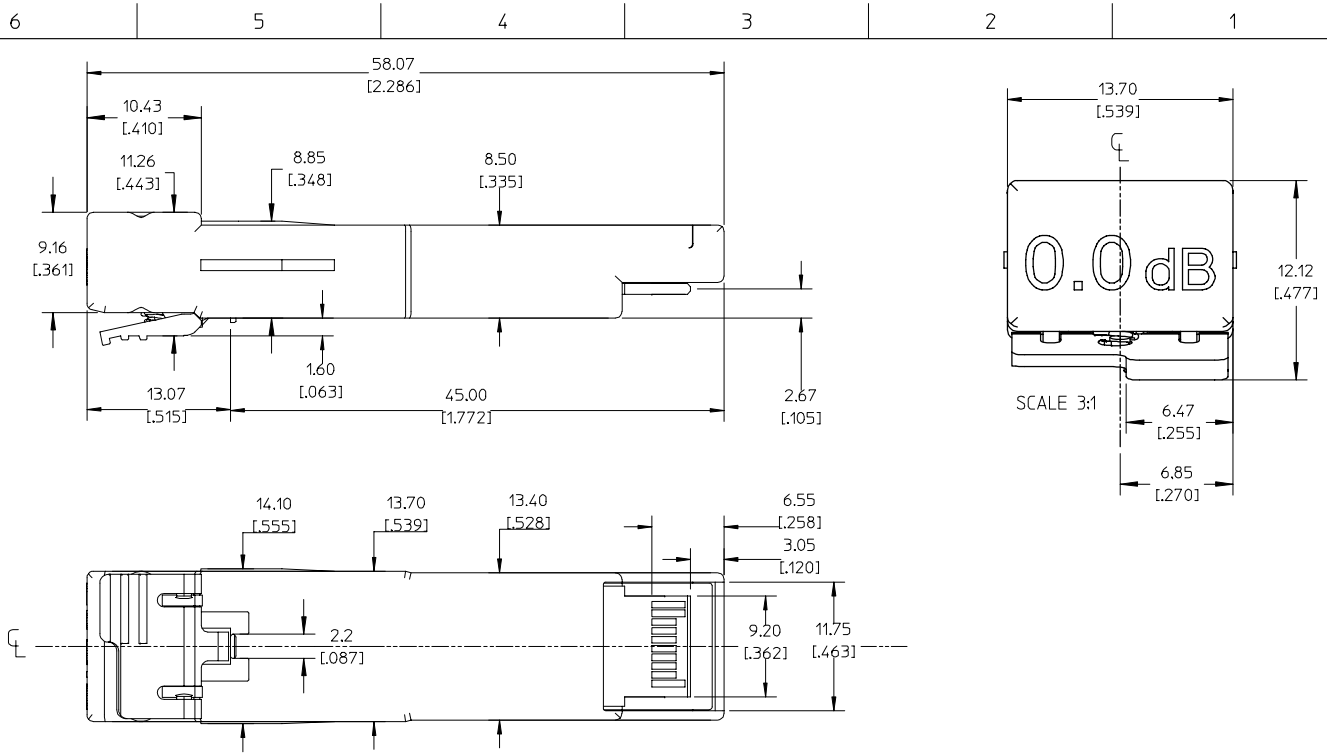
1. Mates to SFP components which comply to standard MSA dimension specifications.
2. Support for:
  - Fibre Channel data rates 2.125 Gbps and 4.25 Gbps
  - Gigabit Ethernet data rates to 2.5 Gbps
  - Infiniband data rates to 2.5 Gbps
3. Robust zinc die cast body, bright nickel plated. Mounts belly-to-belly using 0.093"+ boards.
4. Raised wedges assure electrical contact with surrounding EMI cage assembly.
5. Spring loaded latch releases with simple squeeze, and pull action.
6. 100 ohm impedance.
7. Supports serial ID functionality.
8. 3.3V or 5.0V supply.
9. Hot pluggable.

PART NUMBER	LABEL COLOR	PART DESCRIPTION
74720-0508	LIGHT BLUE	SERIAL ID, 0.0 dB ATTEN.

ENTER DESCRIPTION EC NO: USY2006-0057 DRW:KPHILLIPS 2005/09/29 CHKDK:LLOYD 2005/09/29 APPR:KLOYD 2005/09/29	QUALITY SYMBOLS ▽=0 ▽=0	GENERAL TOLERANCES (UNLESS SPECIFIED)		DIMENSION STYLE MM/IN		SCALE 6:1	DESIGN UNITS METRIC	THIRD ANGLE PROJECTION		
		4 PLACES ± --- ± ---	3 PLACES ± --- ± .005	2 PLACES ± 0.13 ± ---	1 PLACE ± --- ± ---	DRAWN BY K.PHILLIPS	DATE 2005/09/26	TITLE SFP LOOPBACK ADAPTER		
		ANGULAR ±1/2°				CHECKED BY K.LLOYD	DATE 2005/09/26			
		DRAFT WHERE APPLICABLE MUST REMAIN WITHIN DIMENSIONS				APPROVED BY B.RUSSELL	DATE 2005/09/26	MOLEX INCORPORATED		SHEET NO. 1 OF 3
A	REV	MATERIAL NO. 747200508		DOCUMENT NO. SD-74720-0508		THIS DRAWING CONTAINS INFORMATION THAT IS PROPRIETARY TO MOLEX INCORPORATED AND SHOULD NOT BE USED WITHOUT WRITTEN PERMISSION				

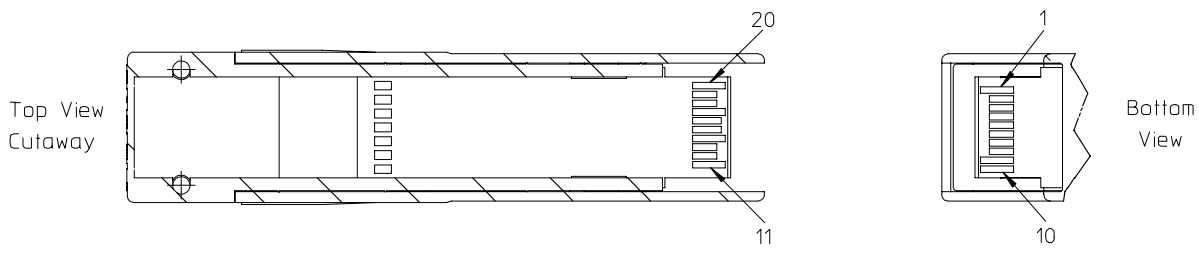
tb\_frame\_A\_P\_AM\_T  
Rev. D 2004/06/28

5 4 3 2 1



ENTER DESCRIPTION EC NO: USY2006-0057 DRW:KPHILLIPS 2005/09/29 CHK:K.LLOYD 2005/09/29 APPR:K.LLOYD 2005/09/29	QUALITY SYMBOLS ▽=0 ◻=0	GENERAL TOLERANCES (UNLESS SPECIFIED)		DIMENSION STYLE MM/IN		SCALE 6:1	DESIGN UNITS METRIC	THIRD ANGLE PROJECTION		
		4 PLACES ± --- ± ---	3 PLACES ± --- ± .005	2 PLACES ± 0.13 ± ---	1 PLACE ± --- ± ---	DRAWN BY K.PHILLIPS	DATE 2005/09/26	TITLE SFP LOOPBACK ADAPTER		
		ANGULAR ± 1/2°				CHECKED BY K.LLOYD	DATE 2005/09/26			
		DRAFT WHERE APPLICABLE MUST REMAIN WITHIN DIMENSIONS				APPROVED BY B.RUSSELL	DATE 2005/09/26	MOLEX INCORPORATED		SHEET NO. 2 OF 3
REV A	DESCRIPTION	MATERIAL NO. 747200508	DOCUMENT NO. SD-74720-0508	THIS DRAWING CONTAINS INFORMATION THAT IS PROPRIETARY TO MOLEX INCORPORATED AND SHOULD NOT BE USED WITHOUT WRITTEN PERMISSION						

tb\_frame\_A\_P\_AM\_T  
Rev. D 2004/06/28



Gnd T	20	1	Gnd T
TD-	19	2	Tx Fault
TD+	18	3	Tx Disable
Gnd T	17	4	MOD-DEF(2)
VccT	16	5	MOD-DEF(1)
VccR	15	6	MOD-DEF(0)
Gnd R	14	7	Rate Select
RD+	13	8	LOS
RD-	12	9	Gnd R
Gnd R	11	10	Gnd R

ENTER DESCRIPTION EC NO: USY2006-0057 DRW:KPHILLIPS 2005/09/29 CHKDK:LLOYD 2005/09/29 APPR:KLOYD 2005/09/29	QUALITY SYMBOLS  	GENERAL TOLERANCES (UNLESS SPECIFIED)		DIMENSION STYLE MM/IN		SCALE 2:1	DESIGN UNITS METRIC	THIRD ANGLE PROJECTION		
		4 PLACES	± ---	± ---	DRAWN BY	DATE	TITLE SFP LOOPBACK ADAPTER			
		3 PLACES	± ---	± .005	K.PHILLIPS	2005/09/26				
		2 PLACES	± 0.13	± ---	CHECKED BY	DATE	MOLEX INCORPORATED			
1 PLACE	± ---	± ---	K.LLOYD	2005/09/26						
ANGULAR ±1/2°				APPROVED BY	DATE	DOCUMENT NO. SD-74720-0508		SHEET NO. 3 OF 3		
DRAFT WHERE APPLICABLE MUST REMAIN WITHIN DIMENSIONS				MATERIAL NO.	747200508	THIS DRAWING CONTAINS INFORMATION THAT IS PROPRIETARY TO MOLEX INCORPORATED AND SHOULD NOT BE USED WITHOUT WRITTEN PERMISSION				

tb\_frame\_A\_P\_AM\_T  
Rev. D 2004/06/28