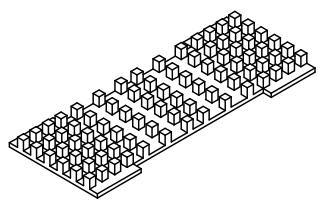


20 19 18 17 16 15 14 13 12 11 10 9 8 7 6 5 4 3 2 1

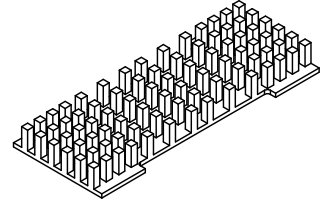
M L K J I H G F E D C B A

**PCI HEIGHT**



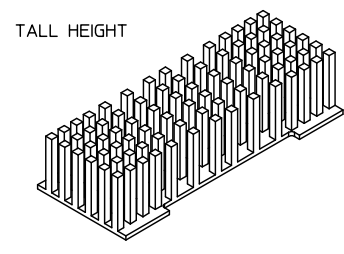
PART NUMBER - 747360240  
 DIMENSION A - 4.2mm  
 POWER LEVEL - UP TO 15W  
 THERMAL RESISTANCE @ 200 LFM - <18.0 C/W

**SAN HEIGHT**

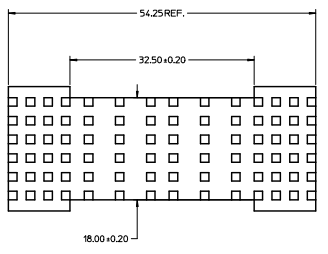


PART NUMBER - 747360241  
 DIMENSION A - 6.5mm  
 POWER LEVEL - UP TO 2.5W  
 THERMAL RESISTANCE @ 200 LFM - <11.5 C/W

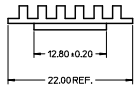
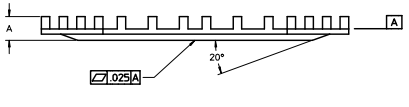
**TALL HEIGHT**



PART NUMBER - 747360242  
 DIMENSION A - 13.5mm  
 POWER LEVEL - UP TO 3.5W  
 THERMAL RESISTANCE @ 200 LFM - <8.0 C/W



MATERIAL: ALUMINUM  
 FINISH: BLACK ANODIZE  
 CONFORMS TO XFP MSA REVISION 4.0  
 CUSTOM DESIGNS AVAILABLE



|  |   |  |  |                          |                                |                        |                     |
|--|---|--|--|--------------------------|--------------------------------|------------------------|---------------------|
| REGRAN<br>AUGUST 2006-0023<br>2006/01/28<br>CHUCK HIRSHY<br>2006/01/31<br>APPROVED<br>2007/10/03 | QUALITY SYMBOLS   | GENERAL TOLERANCES (UNLESS SPECIFIED)              | DIMENSION STYLE  | SCALE                    | DESIGN UNITS                   | THIRD ANGLE PROJECTION |                     |
|  | 4 PLACES ± --- ± ---<br>3 PLACES ± --- ± ---<br>2 PLACES ± 0.13 ± ---<br>1 PLACE ± 0.25 ± ---<br>ANGULAR ± 2°                 | mm INCH<br>mm ONLY<br>DATE<br>DATE<br>DATE<br>DATE | DRAWN BY<br>X LLOYD<br>2004/06/11<br>CHECKED BY<br>BRUSSELL<br>2004/08/05<br>APPROVED BY<br>BRUSSELL<br>2004/08/05 | MM ONLY<br>3:1<br>METRIC | XFP CAGE<br>PIN FIN HEAT SINKS | MOLEX INCORPORATED     | SHEET NO.<br>1 OF 2 |
|  | DRAFT WHERE APPLICABLE MUST REMAIN WITHIN DIMENSIONS  | SEE DRAWING  | MATERIAL NO.   | DOCUMENT NO.             | SD-74736-0240                  |                        |                     |
|  | THIS DRAWING CONTAINS INFORMATION THAT IS PROPRIETARY TO MOLEX INCORPORATED AND SHOULD NOT BE USED WITHOUT WRITTEN PERMISSION |  |  |                          |                                |                        |                     |

ts\_frame\_0\_P\_AH\_1  
 Rev. E 2006/04/25

19 18 17 16 15 14 13 12 11 10 9 8 7 6 5 4 3 2 1

20 19 18 17 16 15 14 13 12 11 10 9 8 7 6 5 4 3 2 1

| DATE       | REV | DESCRIPTION                   |
|------------|-----|-------------------------------|
| 2004/06/11 | A   | INITIAL RELEASE               |
| 2008/08/18 | B   | 1. ADDED REVISION HISTORY     |
|            |     | 2. 6.5mm DIMENSION WAS 6.50mm |
|            |     | 3. 4.2mm DIMENSION WAS 4.20mm |
|            |     |                               |
|            |     |                               |
|            |     |                               |
|            |     |                               |
|            |     |                               |
|            |     |                               |

|   |   |  |  |                                       |                             |                               |
|---|---|--|--|---------------------------------------|-----------------------------|-------------------------------|
| DRAWN BY: K. LLOYD<br>CHECKED BY: BRUSSELL<br>APPROVED BY: BRUSSELL<br>DATE: 2004/06/11<br>DATE: 2004/08/05<br>DATE: 2004/08/05 | QUALITY SYMBOLS   | GENERAL TOLERANCES (UNLESS SPECIFIED)<br>4 PLACES ± .005 ± .005<br>3 PLACES ± .005 ± .005<br>2 PLACES ± .010 ± .010<br>1 PLACE ± 0.25 ± .005<br>ANGULAR ± 2° | DIMENSION STYLE<br>MM ONLY   | SCALE                                 | DESIGN UNITS<br>METRIC      | THIRD ANGLE PROJECTION        |
|   | DRAFT WHERE APPLICABLE MUST REMAIN WITHIN DIMENSIONS  |  | DRAWN BY: K. LLOYD DATE: 2004/06/11<br>CHECKED BY: BRUSSELL DATE: 2004/08/05<br>APPROVED BY: BRUSSELL DATE: 2004/08/05 | TITLE<br>XFP CAGE, PIN FIN HEAT SINKS | MATERIAL NO.<br>SEE DRAWING | DOCUMENT NO.<br>SD-74736-0240 |
|   | MOLEX INCORPORATED  |  |  |                                       |                             |                               |
|   | THIS DRAWING CONTAINS INFORMATION THAT IS PROPRIETARY TO MOLEX INCORPORATED AND SHOULD NOT BE USED WITHOUT WRITTEN PERMISSION |  |  |                                       |                             |                               |

15 frame D.P. AM T Rev. E 2006/04/15 19 18 17 16 15 14 13 12 11 10 9 8 7 6 5 4 3 2 1