

- NOTES:
- REF. PCI EXPRESS CARD ELECTROMECHANICAL SPECIFICATION, REV 1.0a FOR BRACKET WINDOW LOCATION.
 - PCB AND BRACKET SHOWN FOR REFERENCE ONLY.
 - REF. SD-74547-100 FOR KEY POSITIONS
 - GUIDE HOUSING MOUNTING THREAD= M2 X 0.40, SEE SHEET 3 FOR SCREW LENGTH + TORQUE SPEC.
 - PLATE GROUND PAD WITH EMERSON SILVER OR GOLD.
 - MATERIAL:
GUIDE HOUSING - ZINC DIECAST, NICKEL PLATED
COVER - STAINLESS STEEL
 - THIS PRODUCT MEETS THE RESTRICTION OF HAZARDOUS SUBSTANCES IN ELECTRICAL AND ELECTRONIC EQUIPMENT (RoHS) DIRECTIVE (2002/95/EC)
 - GUIDE HOUSING PEGS FOR ALIGNMENT ONLY, DO NOT SOLDER.

PART NUMBER	SW	OAW	PORT SIZE	KEY(S) PORT1	KEY(S) PORT2	KEY(S) PORT3	KEY(S) PORT4	IDENTIFIERS
745480100	76.29	79.99	4	1	1	1	1	SATA - 'X' CABLES
745480103	76.29	79.99	4	2,4	2,4	2,4	2,4	SAS OUT PORT/END DEVICE
745480104	76.29	79.99	4	4,6	4,6	4,6	4,6	SAS IN PORT/END DEVICE
745480105	76.29	79.99	4	4	4	4	4	SAS UNIVERSAL PORT
745480112	76.29	79.99	4	7	7	7	7	SATA - 'M' CABLES
745480117	76.29	79.99	4	2	2	2	2	SAS - OUT PORT
745480120	76.29	79.99	4	6	6	6	6	SAS - IN PORT
745480401	76.29	79.99	4	2,6	4	4	4	CUSTOM

UPDAT TOL & CHART
 EC NO: USY2010-0481
 DRAWN/SECRET 2010/01/15
 CHKD/PSY/SMA 2010/03/25
 APPR:DDOYE 2010/03/27

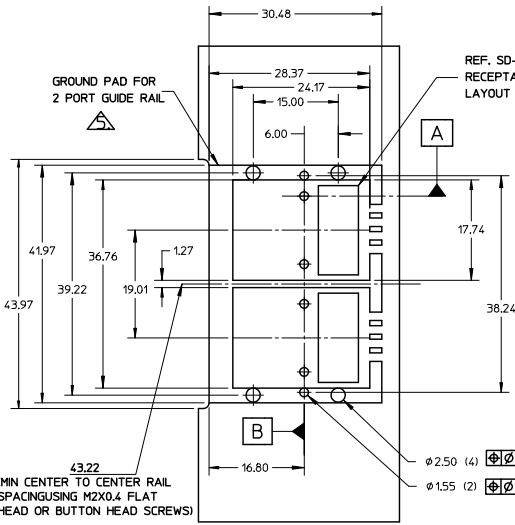
QUALITY SYMBOLS
 ▽=0
 ▽=0

GENERAL TOLERANCES (UNLESS SPECIFIED)
 mm INCH
 4 PLACES ± --- ± ---
 3 PLACES ± --- ± ---
 2 PLACES ± 0.13 ± ---
 1 PLACE ± 0.25 ± ---
 ANGULAR ± 1/2°

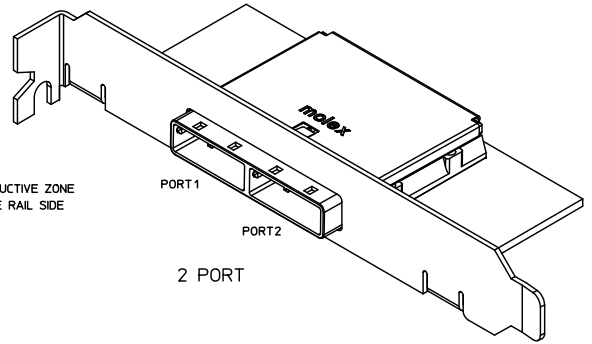
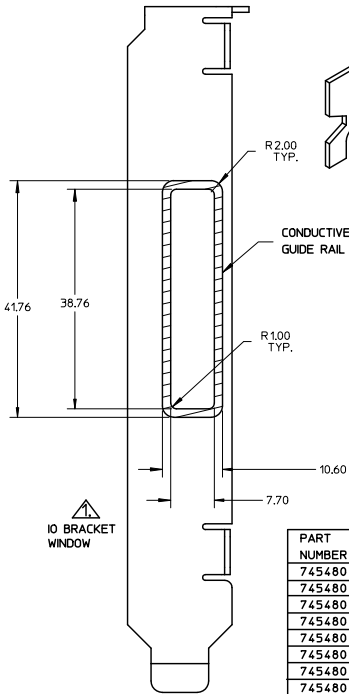
DIMENSION STYLE
 MM ONLY
 DRAWN BY SNAVARRO
 CHECKED BY BREED
 APPROVED BY DDOYE
 DATE 2006/05/26
 DATE 2006/05/26
 DATE 2006/05/26

SCALE 1:1
 DESIGN UNITS METRIC
 THIRD ANGLE PROJECTION
 TITLE I-PASS 26CKT ONE DEG. EMI GUIDE RAIL HOUSING ASSEMBLY, MULTI PORT
 MOLEX INCORPORATED
 MATERIAL NO. SEE CHART
 DOCUMENT NO. SD-74548-100
 SHEET NO. 1 OF 3

THIS DRAWING CONTAINS INFORMATION THAT IS PROPRIETARY TO MOLEX INCORPORATED AND SHOULD NOT BE USED WITHOUT WRITTEN PERMISSION

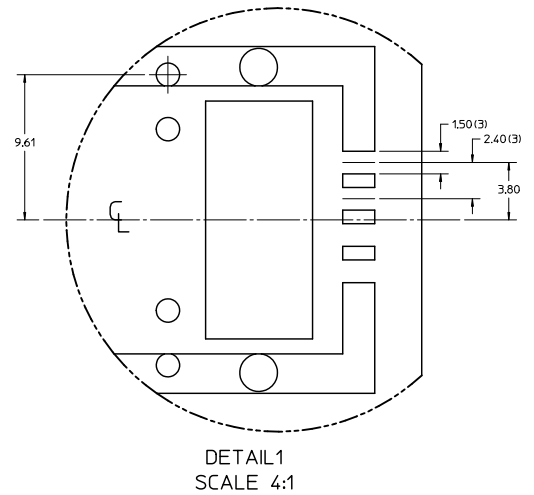
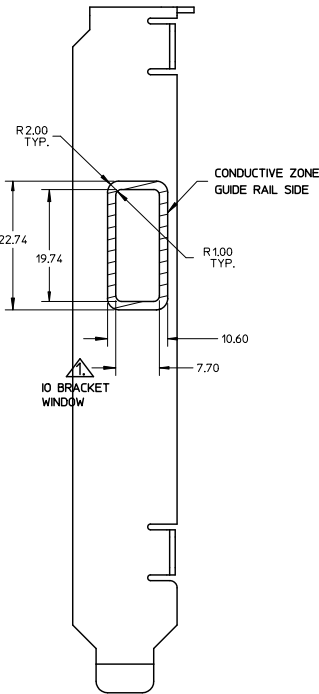
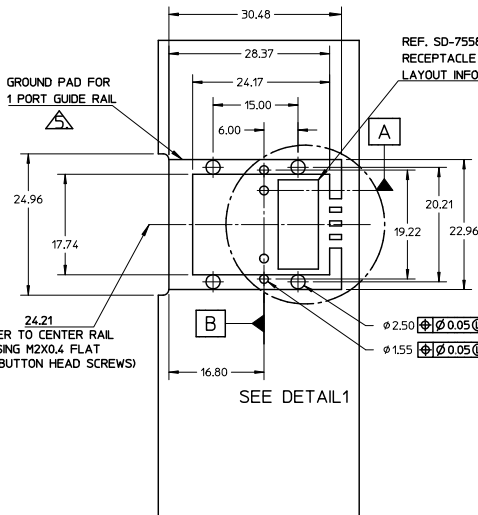


REF. SD-75586-001 FOR RECEPTACLE AND PCB LAYOUT INFORMATION



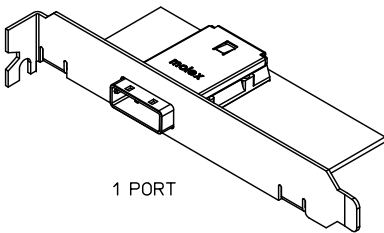
PART NUMBER	SW	OAW	PORT SIZE	KEY(S) PORT1	KEY(S) PORT2	IDENTIFIERS
745480102	38.26	41.96	2	1	1	SATA - 'X' CABLES
745480106	38.26	41.96	2	2,4	2,4	SAS OUT PORT/END DEVICE
745480107	38.26	41.96	2	4,6	4,6	SAS IN PORT/END DEVICE
745480108	38.26	41.96	2	4	4	SAS UNIVERSAL PORT
745480113	38.26	41.96	2	7	7	SATA - 'M' CABLES
745480115	38.26	41.96	2	4,6	2,4	SAS IN PORT - SAS OUT PORT
745480116	38.26	41.96	2	2,4	4,6	SAS OUT PORT - SAS IN PORT
745480118	38.26	41.96	2	2	2	SAS - OUT PORT
745480121	38.26	41.96	2	6	6	SAS - IN PORT
745480124	38.26	41.96	2	3	3	SRIO

UPDAT TOL & CHART EC NO: USY2010-0481 DRAWN/SECRET 2010/01/15 CHKD/PSY/SMA 2010/03/25 APPR:DDOYE 2010/04/22	QUALITY SYMBOLS ▽=0 ▽=0	GENERAL TOLERANCES (UNLESS SPECIFIED)		DIMENSION STYLE MM ONLY		SCALE 1:1		DESIGN UNITS METRIC		THIRD ANGLE PROJECTION		
		4 PLACES ± --- ± ---		DRAWN BY SNAVARRO		DATE 2006/05/26		TITLE I-PASS 26CKT ONE DEG. EMI GUIDE RAIL HOUSING ASSEMBLY, MULTI PORT				
		3 PLACES ± --- ± ---		CHECKED BY BREED		DATE 2006/05/26		MOLEX INCORPORATED				
		2 PLACES ± 0.13 ± ---		APPROVED BY DDOYE		DATE 2006/05/26		DOCUMENT NO. SD-74548-100				
1 PLACE ± 0.25 ± ---		ANGULAR ± 1/2°		MATERIAL NO. SEE CHART		SHEET NO. 2 OF 3		THIS DRAWING CONTAINS INFORMATION THAT IS PROPRIETARY TO MOLEX INCORPORATED AND SHOULD NOT BE USED WITHOUT WRITTEN PERMISSION				
DRAFT WHERE APPLICABLE MUST REMAIN WITHIN DIMENSIONS												



PCB THICKNESS	SCREW LENGTH	TORQUE (IN LBS)
1.6 (.063")	5MM	2.3
2.38 (.093")	6MM	2.3
3.2 (.125")	6MM	2.3
X	+4MM MAX	2.3

PART NUMBER	SW	OAW	PORT SIZE	KEY(S)	IDENTIFIERS
745480101	19.24	22.95	1	1	SATA - 'X' CABLES
745480109	19.24	22.95	1	2,4	SAS OUT PORT/END DEVICE
745480110	19.24	22.95	1	4,6	SAS IN PORT/END DEVICE
745480111	19.24	22.95	1	4	SAS UNIVERSAL PORT
745480114	19.24	22.95	1	7	SATA - 'M' CABLES
745480119	19.24	22.95	1	2	SAS - OUT PORT
745480122	19.24	22.95	1	6	SAS - IN PORT
745480125	19.24	22.95	1	3	SRIO



1 PORT

UPDAT TOL & CHART EC NO: USY2010-0481 DRAWN/SECRET 2010/01/15 CHKD/PSY/SMA 2010/03/25 APPR:DDOYE 2010/04/22	QUALITY SYMBOLS	GENERAL TOLERANCES (UNLESS SPECIFIED)	DIMENSION STYLE	SCALE	DESIGN UNITS	THIRD ANGLE PROJECTION
	▽=0 ▽=0	mm INCH 4 PLACES ± --- ± --- 3 PLACES ± --- ± --- 2 PLACES ± 0.13 ± --- 1 PLACE ± 0.25 ± --- ANGULAR ± 1/2°	MM ONLY	1:1	METRIC	
		DRAFT WHERE APPLICABLE MUST REMAIN WITHIN DIMENSIONS	DRAWN BY DATE	TITLE	I-PASS 26CKT ONE DEG. EMI GUIDE RAIL HOUSING ASSEMBLY, MULTI PORT	
			SNAVARRO 2006/05/26 CHECKED BY DATE BREED 2006/05/26 APPROVED BY DATE DDOYE 2006/05/26	MOLEX INCORPORATED DOCUMENT NO. SD-74548-100	SHEET NO. 3 OF 3	