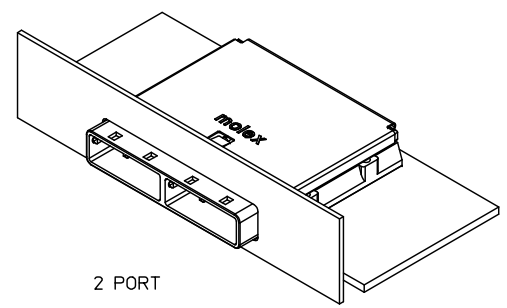
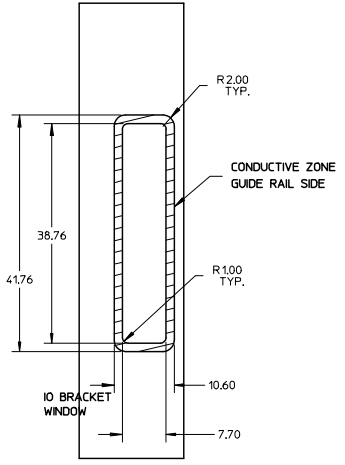
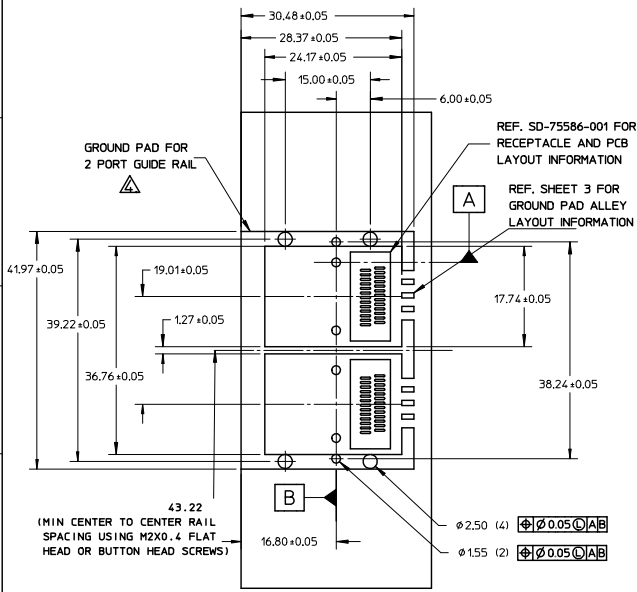


- NOTES:
1. PCB AND BRACKET SHOWN FOR REFERENCE ONLY.
  2. REF. SD-74547-100 FOR KEY POSITIONS
  3. GUIDE HOUSING MOUNTING THREAD= M2 X 0.40, SEE SHEET 3 FOR SCREW LENGTH + TORQUE SPEC.
  4. PLATE GROUND PAD WITH EMERSON SILVER OR GOLD.
  5. MATERIAL:  
GUIDE HOUSING - ZINC DIECAST, NICKEL PLATED  
COVER - STAINLESS STEEL
  6. THIS PRODUCT MEETS THE RESTRICTION OF HAZARDOUS SUBSTANCES IN ELECTRICAL AND ELECTRONIC EQUIPMENT (RoHS) DIRECTIVE (2002/95/EC)
  7. GUIDE HOUSING PEGS FOR ALIGNMENT ONLY, DO NOT SOLDER.

| PART NUMBER | PORT SIZE | SW    | OAW   | KEY(S) PORT1 | KEY(S) PORT2 | KEY(S) PORT3 | KEY(S) PORT4 | IDENTIFIERS             |
|-------------|-----------|-------|-------|--------------|--------------|--------------|--------------|-------------------------|
| 745480200   | 4         | 76.30 | 80.00 | 1            | 1            | 1            | 1            | SATA - 'X' CABLES       |
| 745480203   | 4         | 76.30 | 80.00 | 2,4          | 2,4          | 2,4          | 2,4          | SAS OUT PORT/END DEVICE |
| 745480204   | 4         | 76.30 | 80.00 | 4,6          | 4,6          | 4,6          | 4,6          | SAS IN PORT/END DEVICE  |
| 745480205   | 4         | 76.30 | 80.00 | 4            | 4            | 4            | 4            | SAS UNIVERSAL PORT      |
| 745480212   | 4         | 76.30 | 80.00 | 7            | 7            | 7            | 7            | SATA - 'H' CABLES       |
| 745480217   | 4         | 76.30 | 80.00 | 2            | 2            | 2            | 2            | SAS - OUT PORT          |
| 745480220   | 4         | 76.30 | 80.00 | 6            | 6            | 6            | 6            | SAS - IN PORT           |
| 745480304   | 4         | 76.30 | 80.00 | 2,7          | 2,7          | 2,7          | 2,7          | CX4                     |

IPASS IS A TRADE MARK OF MOLEX.

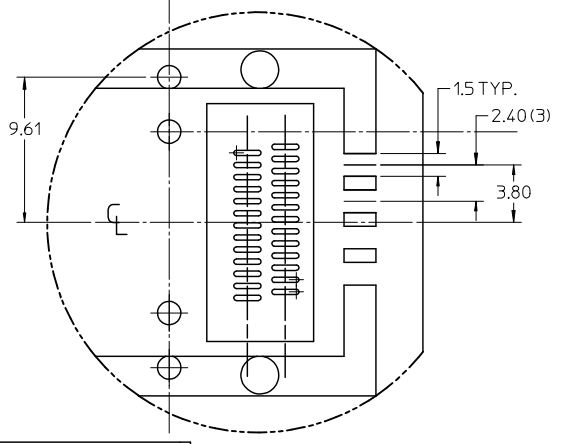
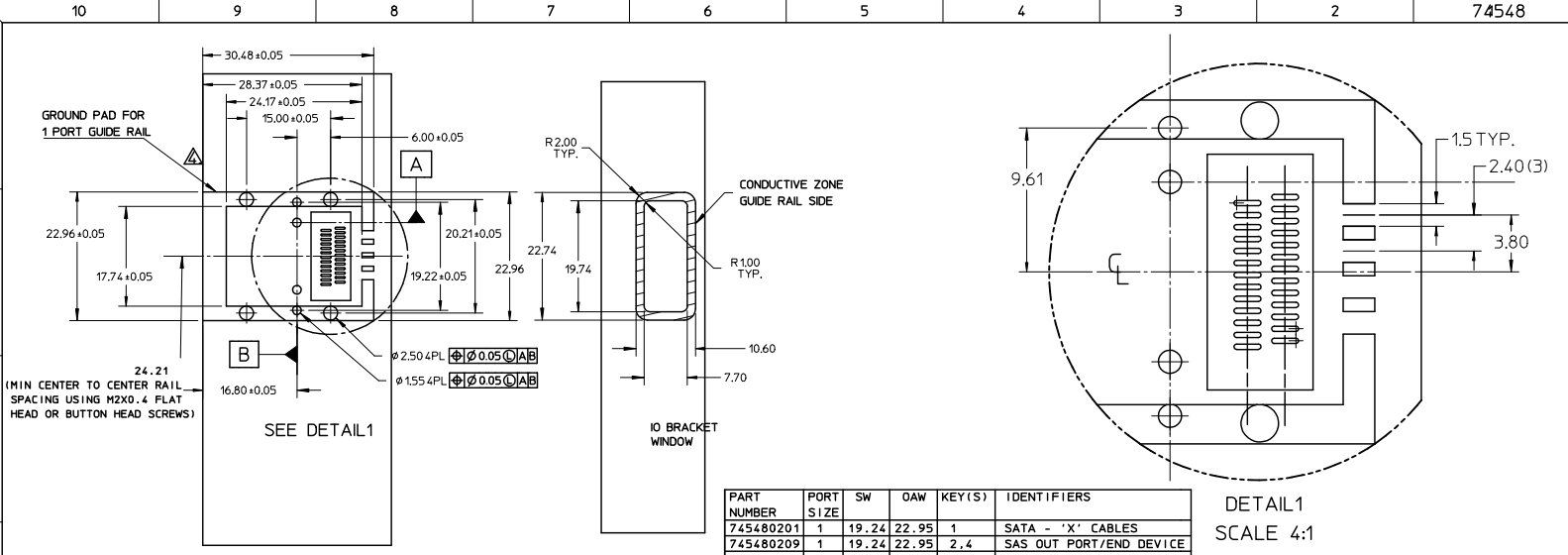
|  |                 |  |   |                    |  |                        |  |
|--|-----------------|--|---|--------------------|--|------------------------|--|
| ADDED DIM/FRONT 1<br>EC NO: USY2009-0582<br>DRAWN: JERWIN 2009/06/24<br>CHKD: BREED 2009/06/24<br>APPR: DDOYE 2009/06/30 | QUALITY SYMBOLS | GENERAL TOLERANCES (UNLESS SPECIFIED)  | DIMENSION STYLE   | SCALE              | DESIGN UNITS   | THIRD ANGLE PROJECTION |  |
|  | ▽=0<br>▽=0      | mm INCH<br>4 PLACES ± --- ± ---<br>3 PLACES ± --- ± ---<br>2 PLACES ± 0.13 ± ---<br>1 PLACE ± 0.25 ± ---<br>ANGULAR ± 1/2° | MM ONLY   | 1:1                | METRIC   |                        |  |
|  |                 | DRAFT WHERE APPLICABLE MUST REMAIN WITHIN DIMENSIONS   | DRAWN BY SNAVARRO 2006/05/26<br>CHECKED BY BREED 2006/05/26<br>APPROVED BY DDOYE 2006/05/26 | TITLE              | I-PASS 26CKT ZERO DEG. EMI GUIDE RAIL HOUSING ASSEMBLY, MULTI PORT |                        |  |
|  |                 |  | MATERIAL NO. SEE CHART<br>DOCUMENT NO. SD-74548-200   | MOLEX INCORPORATED | SHEET NO. 1 OF 3   |                        |  |



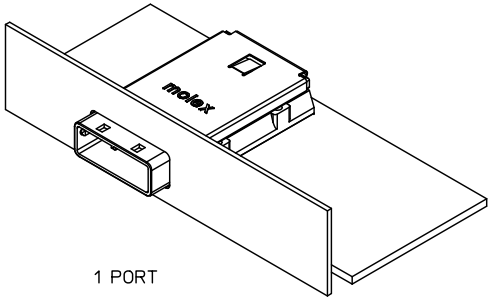
| PART NUMBER | PORT SIZE | SW    | OAW   | KEY(S) PORT1 | KEY(S) PORT2 | IDENTIFIERS                |
|-------------|-----------|-------|-------|--------------|--------------|----------------------------|
| 745480202   | 2         | 38.26 | 41.96 | 1            | 1            | SATA - "X" CABLES          |
| 745480206   | 2         | 38.26 | 41.96 | 2,4          | 2,4          | SAS OUT PORT/END DEVICE    |
| 745480207   | 2         | 38.26 | 41.96 | 4,6          | 4,6          | SAS IN PORT/END DEVICE     |
| 745480208   | 2         | 38.26 | 41.96 | 4            | 4            | SAS UNIVERSAL PORT         |
| 745480213   | 2         | 38.26 | 41.96 | 7            | 7            | SATA - "M" CABLES          |
| 745480215   | 2         | 38.26 | 41.96 | 4,6          | 2,4          | SAS IN PORT - SAS OUT PORT |
| 745480216   | 2         | 38.26 | 41.96 | 2,4          | 4,6          | SAS OUT PORT - SAS IN PORT |
| 745480218   | 2         | 38.26 | 41.96 | 2            | 2            | SAS - IN PORT              |
| 745480221   | 2         | 38.26 | 41.96 | 6            | 6            | SAS - OUT PORT             |
| 745480224   | 2         | 38.26 | 41.96 | 3            | 3            | SR10                       |

IPASS IS A TRADE MARK OF MOLEX.

|  |                               |                                       |                      |   |                      |                      |                        |   |                              |                     |
|--|-------------------------------|---------------------------------------|----------------------|---|----------------------|----------------------|------------------------|---|------------------------------|---------------------|
| ADDED DIM/FRONT1<br>EC NO: USY2009-0582<br>DRWN: JERWIN 2009/06/24<br>CHYD: BREED 2009/06/24<br>APPR: DDOYE 2009/06/30 | QUALITY SYMBOLS<br>▽=0<br>▽=0 | GENERAL TOLERANCES (UNLESS SPECIFIED) |                      | DIMENSION STYLE<br>MM ONLY  |                      | SCALE<br>1:1         | DESIGN UNITS<br>METRIC | THIRD ANGLE PROJECTION  |                              |                     |
|  |                               | mm                                    |                      | INCH  |                      | DRAWN BY<br>SNAVARRO | DATE<br>2006/05/26     | TITLE<br>I-PASS 26CKT ZERO DEG. EMI GUIDE RAIL HOUSING ASSEMBLY, MULTI PORT |                              |                     |
|  |                               | 4 PLACES ± --- ± ---                  | 3 PLACES ± --- ± --- | 2 PLACES ± 0.13 ± ---   | 1 PLACE ± 0.25 ± --- | CHECKED BY<br>BREED  | DATE<br>2006/05/26     | MOLEX INCORPORATED  |                              |                     |
|  |                               | ANGULAR ±1/2°                         |                      | MATERIAL NO.<br>SEE CHART   |                      | APPROVED BY<br>DDOYE |                        | DATE<br>2006/05/26  | DOCUMENT NO.<br>SD-74548-200 | SHEET NO.<br>2 OF 3 |
| DRAFT WHERE APPLICABLE MUST REMAIN WITHIN DIMENSIONS   |                               |                                       |                      | THIS DRAWING CONTAINS INFORMATION THAT IS PROPRIETARY TO MOLEX INCORPORATED AND SHOULD NOT BE USED WITHOUT WRITTEN PERMISSION |                      |                      |                        |   |                              |                     |



| PART NUMBER | PORT SIZE | SW    | OAW   | KEY(S) | IDENTIFIERS             |
|-------------|-----------|-------|-------|--------|-------------------------|
| 745480201   | 1         | 19.24 | 22.95 | 1      | SATA - 'X' CABLES       |
| 745480209   | 1         | 19.24 | 22.95 | 2,4    | SAS OUT PORT/END DEVICE |
| 745480210   | 1         | 19.24 | 22.95 | 4,6    | SAS IN PORT/END DEVICE  |
| 745480211   | 1         | 19.24 | 22.95 | 4      | SAS UNIVERSAL PORT      |
| 745480214   | 1         | 19.24 | 22.95 | 7      | SATA - 'M' CABLES       |
| 745480219   | 1         | 19.24 | 22.95 | 2      | SAS OUT PORT            |
| 745480222   | 1         | 19.24 | 22.95 | 6      | SAS IN PORT             |
| 745480225   | 1         | 19.24 | 22.95 | 3      | SR10                    |
| 745480229   | 1         | 19.24 | 22.95 | 2,7    | CX4                     |



| PCB THICKNESS | SCREW LENGTH | TORQUE (IN LBS) |
|---------------|--------------|-----------------|
| 1.6 (.063")   | 5MM          | 2.3             |
| 2.38 (.093")  | 6MM          | 2.3             |
| 3.2 (.125")   | 6MM          | 2.3             |
| X             | +4MM MAX     | 2.3             |

IPASS™ IS A TRADE MARK OF MOLEX.

|  |  |   |                 |              |              |   |   |
|--|--|---|-----------------|--------------|--------------|---|---|
| ADDED DIM/FRONT 1<br>EC NO: USY2009-0582<br>2009/06/24<br>DRWN: JERMIN<br>2009/06/24<br>CHKD: BREED<br>2009/06/24<br>APPR: DDOYE<br>2009/06/24 | QUALITY SYMBOLS                                      | GENERAL TOLERANCES (UNLESS SPECIFIED)   | DIMENSION STYLE | SCALE        | DESIGN UNITS | THIRD ANGLE PROJECTION  |   |
|  | $\nabla = 0$<br>$\nabla = 0$                         | mm    INCH<br>4 PLACES ± --- ± ---<br>3 PLACES ± --- ± ---<br>2 PLACES ± 0.13 ± ---<br>1 PLACE ± 0.25 ± ---<br>ANGULAR ± 1/2° | MM ONLY         | 1:1          | METRIC       | DRAWN BY: SNAVARRO    DATE: 2006/05/26<br>CHECKED BY: BREED    DATE: 2006/05/26<br>APPROVED BY: DDOYE    DATE: 2006/05/26 | TITLE: I-PASS 26CKT ZERO DEG. EMI GUIDE RAIL HOUSING ASSEMBLY, MULTI PORT<br>MOLEX INCORPORATED |
|  | DRAFT WHERE APPLICABLE MUST REMAIN WITHIN DIMENSIONS | SEE CHART   | MATERIAL NO.    | DOCUMENT NO. | SHEET NO.    |   |   |
|  |  |   |                 | SD-74548-200 | 3 OF 3       |   |   |

THIS DRAWING CONTAINS INFORMATION THAT IS PROPRIETARY TO MOLEX INCORPORATED AND SHOULD NOT BE USED WITHOUT WRITTEN PERMISSION