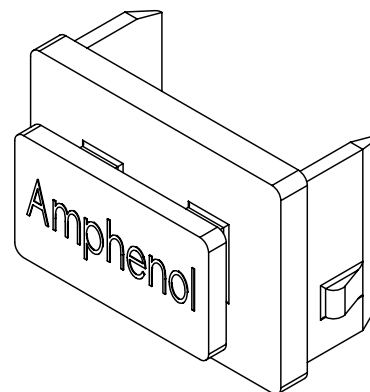
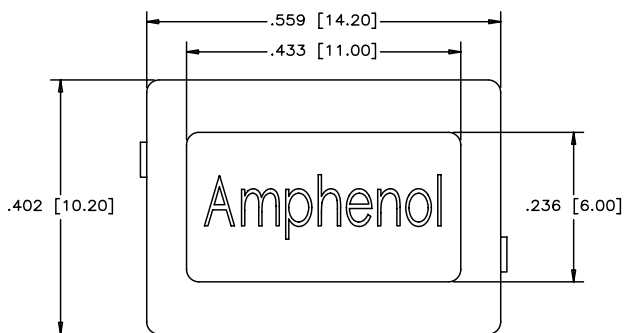
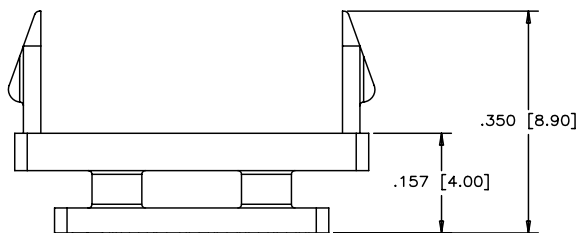


REVISIONS				
SYM	ZONE	ECN, ERN NO.	DATE	APPRD.
A		PROPOSAL	2006/01/12	
B		REVISED	JAN04/08	
C		UPDATED	JAN22/08	

THIS IS A CAD DRAWING. DO NOT MANUALLY REVISE.



ISOMETRIC VIEW



MATERIAL:

THERMOPLASTIC, FLAMMABILITY UL 94 V-0,
COLOR BLACK.

DRAWN	J.SI	DATE	2006/01/11	Amphenol Canada Corp.			
DESIGNED	J.SI	DATE	2006/01/11				
CHECKED				TITLE DUST COVER SFP CAGE			
I. E. APPRD.							
Q. A. APPRD.							
DWG. APPRD.							
ENG. REL. NO.		DWG	A	DRAWING NO.	P-U77-A1110-8000P	REV.	C
REF.		DIMENSIONS ARE IN INCHES [mm]		CODE ID. NO.	03554	SCALE	4:1
		WT.	-----	SURF.		-----	SHEET 1 OF 1

THIS DOCUMENT CONTAINS PROPRIETARY INFORMATION AND SUCH INFORMATION MAY NOT BE DISCLOSED TO OTHERS FOR ANY PURPOSE OR USED FOR MANUFACTURING PURPOSES WITHOUT WRITTEN PERMISSION FROM AMPHENOL CANADA CORP.