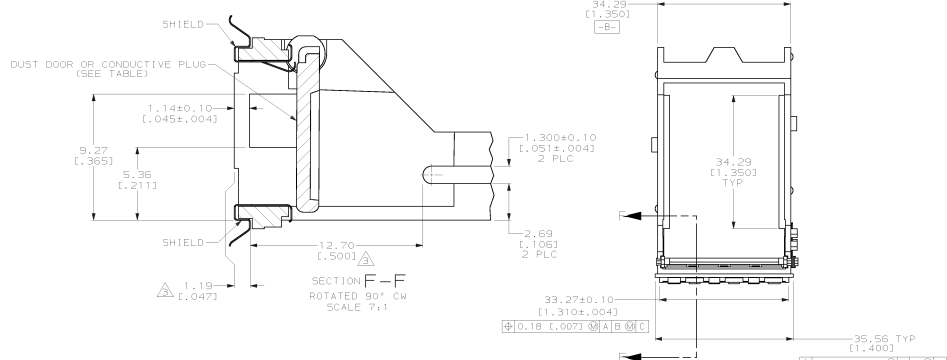
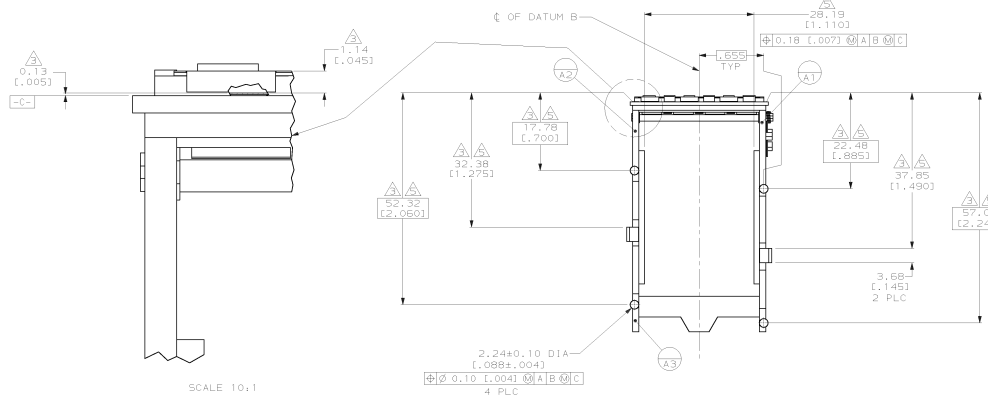
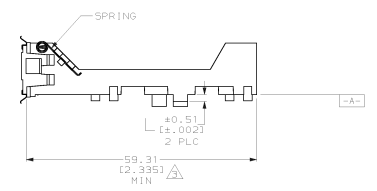
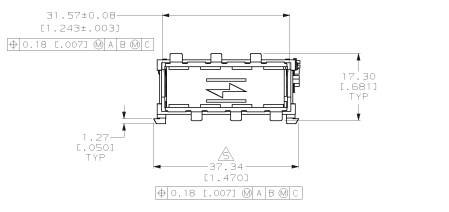
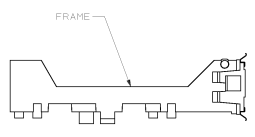


REVISED PER EC 0513-0435-03		DATE	BY
GP	00		



- ▲ DUST DOOR: ZINC ALLOY (-3,-4,-4), HTN POLYMER (-6,-7,-8).
- ▲ CONDUCTIVE PLUG: ABS (1-2,1-3,1-4).
- ▲ SPRING: STAINLESS STEEL.
- ▲ SHIELD: PHOSPHOR BRONZE.
- ▲ METAL DUST DOOR: 2.54µm (±.000100) MIN NICKEL OVER 5.08µm (±.000200) MIN COPPER.
- ▲ SHIELD: 1.27µm (±.000050) MIN NICKEL.
- ▲ DIMENSION APPLIES TO FRONT OF SHIELD.
- ▲ LOWER EDGE OF PANEL OPENING IS 0.15 (±.006) BELOW TOP OF PCB FOR HORIZONTAL APPLICATION.
- ▲ DIMENSION APPLIES WHEN ASSEMBLED TO PRINTED CIRCUIT BOARD.



OBSOLETE	CONDUCTIVE PLUG	2.26 (±.089)	1-788370-4
OBSOLETE	CONDUCTIVE PLUG	2.77 (±.109)	1-788370-3
OBSOLETE	CONDUCTIVE PLUG	1.80 (±.071)	1-788370-2
OBSOLETE	NO DOOR OR PLUG	2.26 (±.089)	1-788370-1
OBSOLETE	NO DOOR OR PLUG	2.77 (±.109)	1-788370-0
OBSOLETE	NO DOOR OR PLUG	1.80 (±.071)	788370-9
OBSOLETE	PLASTIC DOOR	2.26 (±.089)	788370-8
OBSOLETE	PLASTIC DOOR	2.77 (±.109)	788370-7
OBSOLETE	PLASTIC DOOR	1.80 (±.071)	788370-6
	METAL DOOR	2.26 (±.089)	788370-5
	METAL DOOR	2.77 (±.109)	788370-4
	METAL DOOR	1.80 (±.071)	788370-3
	DUST DOOR OR CONDUCTIVE PLUG		PART NUMBER

THIS DRAWING IS A CONTROLLED DOCUMENT. DATE: 17 JAN 11 BY: J. STONE. CONTROLLED BY: J. STONE. CONTROLLED BY: J. STONE. CONTROLLED BY: J. STONE.

AMP Incorporated Harrisburg, PA 17105-3600

GUIDE ASSEMBLY, MEDIA CONVERTER MODULE, CHAMP BLINDMATE

REVISED PER EC 0513-0435-03

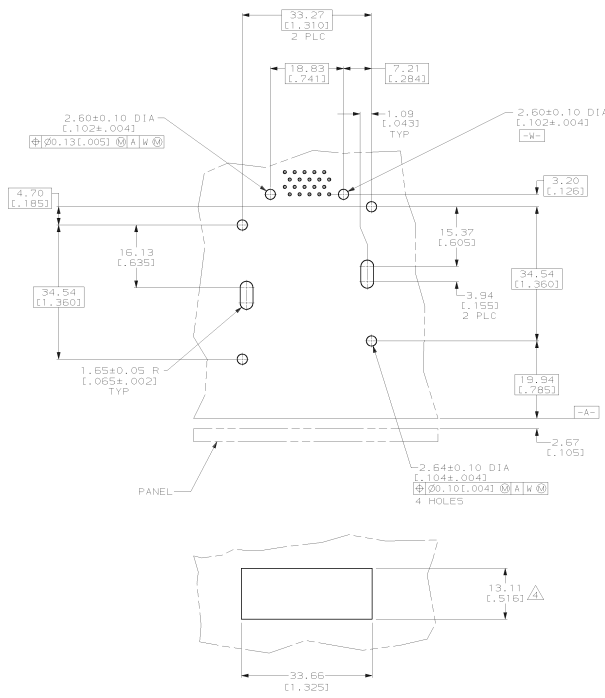
DATE: 17 JAN 11 BY: J. STONE

REVISED PER EC 0513-0435-03

DATE: 17 JAN 11 BY: J. STONE

REV. NO.	DATE	BY	DESCRIPTION
00			

REVISIONS			
REV.	DATE	BY	DESCRIPTION
1			SEE SHEET 1



RECOMMENDED HOST CARD FOOTPRINT/PANEL CUTOUT

THIS DRAWING IS A CONTROLLED DOCUMENT.		DATE: 11 JAN 10	BY: J. STONE	AMP Incorporated Harrisburg, PA 17105-3600
OPERATION:	DESIGN:	DATE:	BY:	 GUIDE ASSEMBLY, MEDIA CONVERTER MODULE, CHAMP BLINDMATE
enrichment:	ANALYSIS/DESIGN:	DATE:	BY:	
	DATE:	BY:		
	DATE:	BY:		
MATERIAL:	FINISH:	REV:	DATE:	REGISTERED TO:
			A1 000778	788370
CUSTOMER DRAWING				DATE: 2/11/00

19-101-06 05/21/05 002482 / Rev/eng/482/06/04