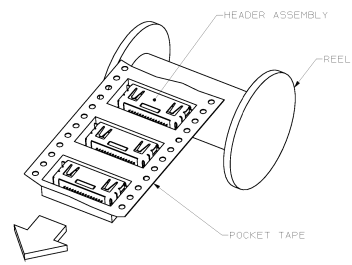
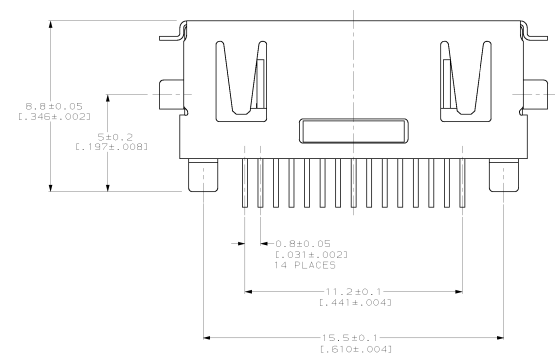
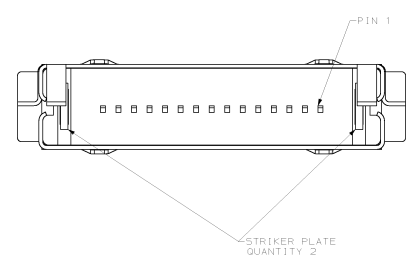
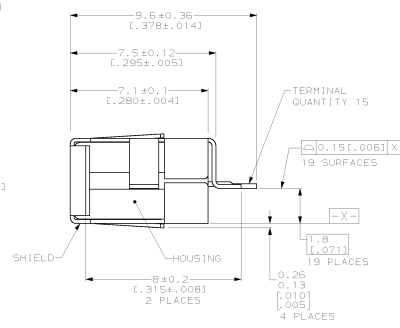
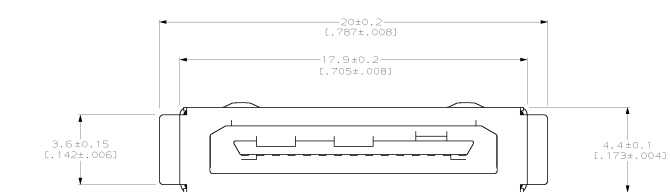
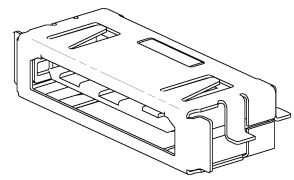
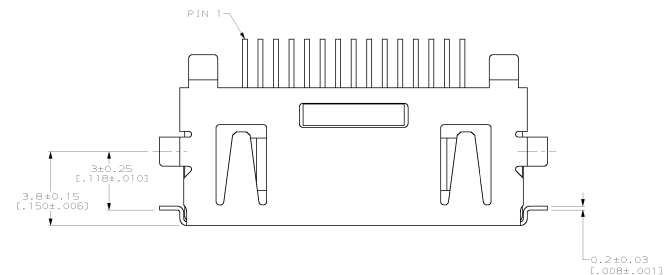


| REV | DATE | DESCRIPTION                  | BY      | CHK  | APP |
|-----|------|------------------------------|---------|------|-----|
| AA  | 23   | REVISED PER ECN 0010-0012-01 | 1226661 | 0101 | AMP |

⚠ MATERIAL: HOUSING - NYLON MOLDING COMPOUND, 94V-0, GLASS FILLED, BLACK. TERMINALS = 0.25(.010) THICK BRASS PLATED WITH 0.254 MICRONS(.000100) MINIMUM THICK GOLD OVER 1.016 MICRONS (.00040) MINIMUM THICK PALADIUM NICKEL OVER 0.05 MICRONS(.000020) MINIMUM THICK GOLD IN CONTACT AREAS AND 3.8 MICRONS(.00150) MINIMUM THICK TIN-LEAD ON SOLDER TINES OVER 2.54 MICRONS(.00100) MINIMUM THICK NICKEL UNDERPLATE. SHIELD - STAINLESS STEEL, TIN-LEAD PLATED STRIKER PLATE- STAINLESS STEEL.

⚠ DIMENSIONS ARE MAXIMUM UNLESS OTHERWISE SPECIFIED.



| TAPE & REEL | KEY           | PART NUMBER |
|-------------|---------------|-------------|
| TAPE & REEL | KEY 5-15      | 5-558556-5  |
| TAPE & REEL | KEY 4-15      | 5-558556-4  |
| TAPE & REEL | KEY 3-15      | 5-558556-3  |
| TAPE & REEL | KEY 2-15      | 5-558556-2  |
| TAPE & REEL | KEY 1-15      | 5-558556-1  |
| TRAY        | KEY 5-15      | 558556-5    |
| TRAY        | KEY 4-15      | 558556-4    |
| TRAY        | KEY 3-15      | 558556-3    |
| TRAY        | KEY 2-15      | 558556-2    |
| TRAY        | KEY 1-15      | 558556-1    |
| PACKAGING   | KEYING OPTION | PART NUMBER |

|                                                                                                                                                                        |                                                                                                                        |                           |
|------------------------------------------------------------------------------------------------------------------------------------------------------------------------|------------------------------------------------------------------------------------------------------------------------|---------------------------|
| 12 POSITION CONNECTOR WITH SHIELDING<br>AMP INCORPORATED<br>1000 WILMINGTON BLVD<br>WILMINGTON, PA 19381-0001<br>TEL: 610-675-0100<br>FAX: 610-675-0101<br>WWW.AMP.COM | AMP<br>AMP Incorporated<br>Warfordsburg, PA 17105-3608<br>HEADERS, SERIES III INFOPORT™<br>558556-5<br>00779<br>558556 | CUSTOMER DRAWING<br>10/11 |
|------------------------------------------------------------------------------------------------------------------------------------------------------------------------|------------------------------------------------------------------------------------------------------------------------|---------------------------|

