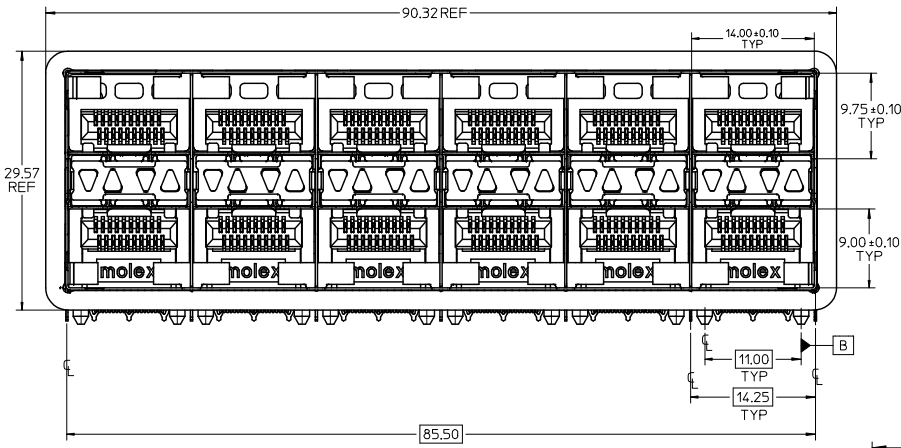
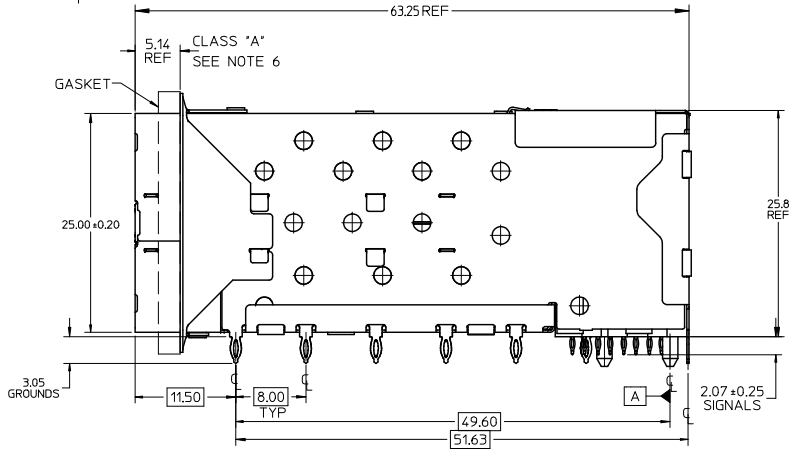


13 12 11 10 9 8 7 6 5 4 3 2 1

PART NUMBER	DESCRIPTION	VIEW	COMPLIANT TAIL PLATING
760940001	4 LIGHT PORTS	SEE PG 2	TIN / LEAD
760940002	INNER 2 PORTS	SEE PG 2	TIN / LEAD
760940003	OUTER 2 PORTS	SEE PG 2	TIN / LEAD
760945001	4 LIGHT PORTS	SEE PG 2	TIN
760945002	INNER 2 PORTS	SEE PG 2	TIN
760945003	OUTER 2 PORTS	SEE PG 2	TIN



- NOTES:
- MATERIAL:
 - CAGE: NICKEL SILVER, THICKNESS: 0.25mm
 - GASKET FLANGE: STAINLESS STEEL
 - EMI GASKET: CONDUCTIVE POLYMER
 - CONNECTOR HOUSING: GLASS FILLED THERMOPLASTIC, UL: 94 V-0, COLOR: BLACK
 - OVERMOLD TERMINAL HOUSING: GLASS FILLED THERMOPLASTIC, UL: 94 V-0, COLOR: BLACK
 - TERMINALS: BRASS
 - LIGHT PIPE: POLYCARBONATE UL 94 V-0, COLOR CLEAR
 - LIGHT PIPE HOUSING: ZINC
 - FINISH
 - TERMINALS:
 - CONTACT AREA: 0.76 MICROMETERS MINIMUM HARD GOLD OVER 1.27 MICROMETERS MINIMUM NICKEL.
 - COMPLIANT TAIL - TIN/LEAD OPTION: 0.76 - 1.52 MICROMETERS 90/10 TIN/LEAD OVER 0.76 - 1.52 MICROMETERS NICKEL
 - COMPLIANT TAIL - TIN OPTION: 0.76 - 1.52 MICROMETERS TIN OVER 0.76 - 1.52 MICROMETERS NICKEL
 - LIGHT PIPE HOUSING: 150 MICROMETERS NICKEL OVER 150 MICROMETERS COPPER
 - REFER TO PS-75310-001 PRODUCT SPEC FOR ALL ELECTRICAL, MECHANICAL AND ENVIRONMENTAL SPECIFICATIONS.
 - LIGHT PIPE PAD LAYOUT IS FOR 0805 LOW-PROFILE LED PACKAGE FOR OTHER RECOMMENDED LAYOUTS REFER TO MOLEX'S REPORT TS-75310-001.
 - REFER TO PK-75451-001 FOR ALL PACKAGING SPECIFICATIONS.
 - ALL EXTERIOR SURFACES TO BE CLASS 'B' SURFACES EXCEPT THE UNDER SIDE OF THE CAGE WHERE THE PCB WOULD BE LOCATED AND AS NOTED. THE SURFACES TO CONFORM TO THE MOLEX COSMETIC DOC PS-45499-002.

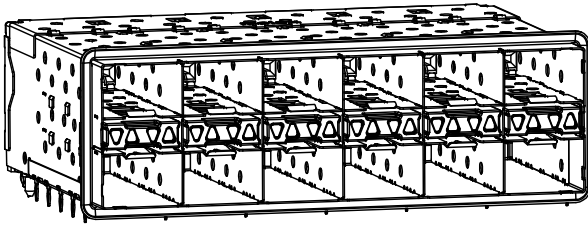


ADD KEEP OUT ZONES EC NO: LCP/2009-2853 DRWING: BARRA 5/15/08 CHECKED: MART 2009/06/08 APPR: SHILLER 2009/06/08	QUALITY SYMBOLS ▽=0 ▽=0	GENERAL TOLERANCES (UNLESS SPECIFIED)		DIMENSION STYLE MM ONLY		SCALE 3:1	DESIGN UNITS METRIC	THIRD ANGLE PROJECTION		
		4 PLACES ± --- ± ---	3 PLACES ± --- ± ---	2 PLACES ± 0.13 ± ---	1 PLACE ± 0.25 ± ---	ANGULAR ± 5°	DRAWN BY JLONG	DATE 01-18-2007	TITLE STACKED SFP+ 2X6 ASS'Y WITH ELASTOMERIC GASKET	
							CHECKED BY MSANDBERG	DATE 01-18-2007		
							APPROVED BY RNELSON	DATE 01-18-2007		
		DRAFT WHERE APPLICABLE MUST REMAIN WITHIN DIMENSIONS		SEE TABLE		MOLEX INCORPORATED		SHEET NO. 1 OF 4		
						MATERIAL NO.		DOCUMENT NO. SD-76094-001		
THIS DRAWING CONTAINS INFORMATION THAT IS PROPRIETARY TO MOLEX INCORPORATED AND SHOULD NOT BE USED WITHOUT WRITTEN PERMISSION										

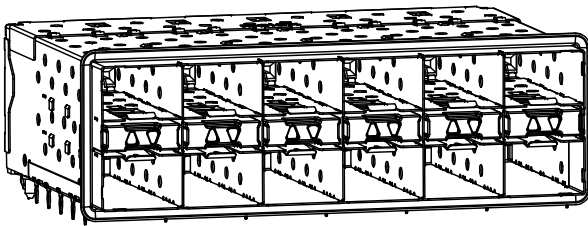
12 11 10 9 8 7 6 5 4 3 2 1

Id_frame_C_P_AM.T
Rev. E 2006/04/15

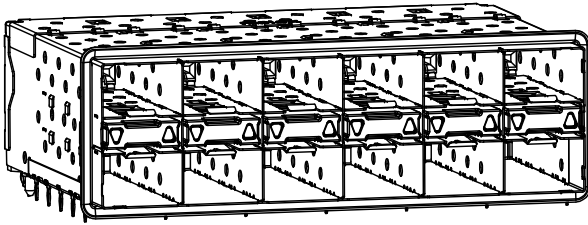
13 12 11 10 9 8 7 6 5 4 3 2 1



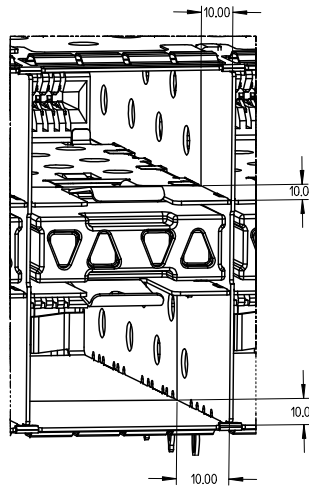
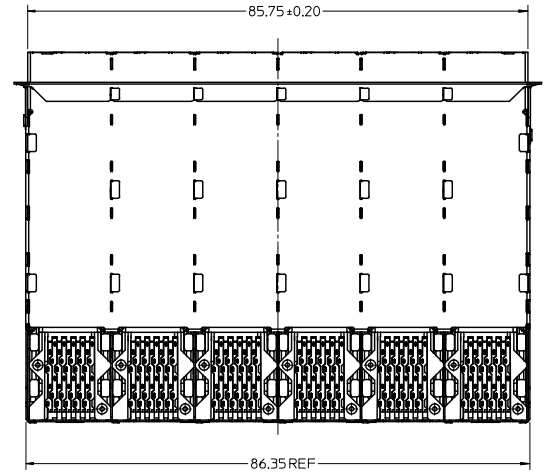
760940001 AND 760945001
WITH INNER AND OUTER LIGHT PIPES



760940002 AND 760945002
WITH INNER LIGHT PIPES



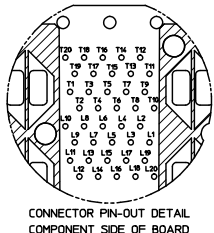
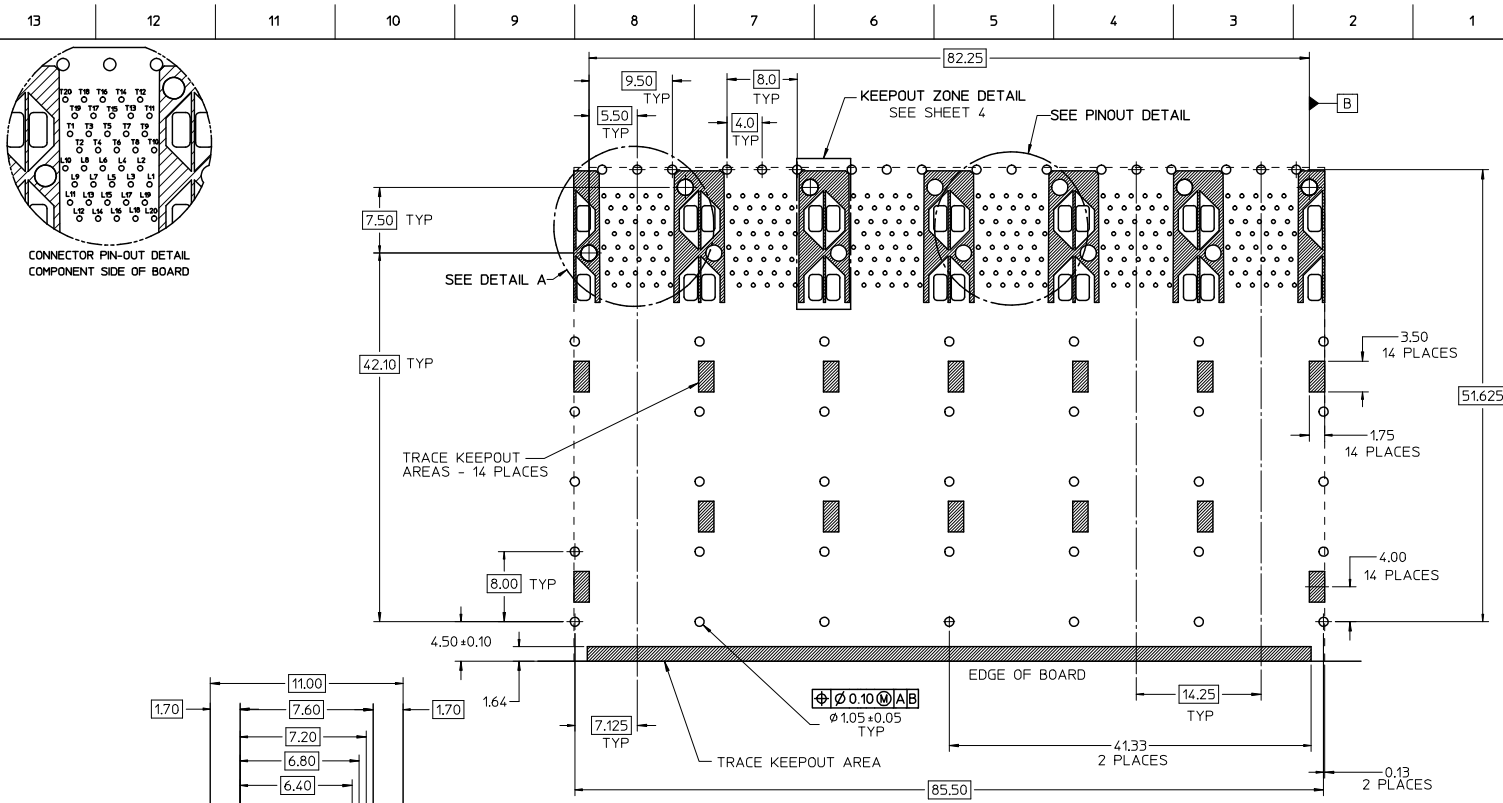
760940003 AND 760945003
WITH OUTER LIGHT PIPES



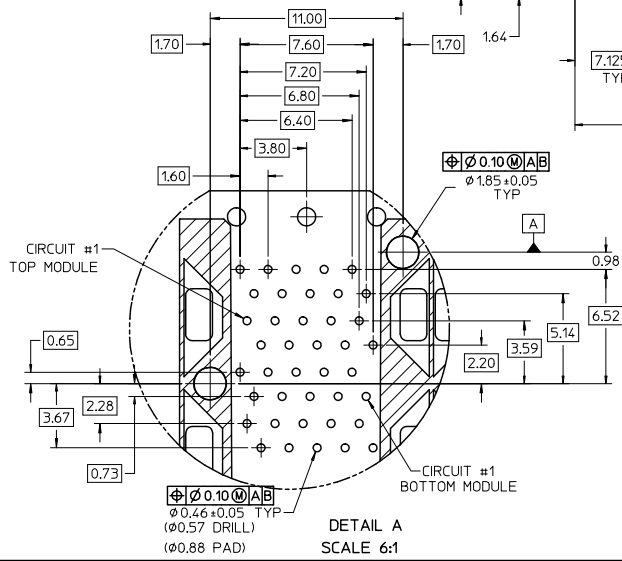
10,00MM AREA SETBACK IN CAGE IS TO BE FREE OF ANY HOLES, DIMPLES, SEAMS OR ANY OTHER FEATURE. (4 SIDES PER MODULAR PORT)

SEE SHEET 1 EIC NO. LEP2009-2853 DRAWN BY DRWMS/BARRA 5/15/09 CHECKED BY CHAD/SWART 2009/06/08 APPR: SHT/LLR 2009/06/08	QUALITY SYMBOLS ▽=0 ▽=0	GENERAL TOLERANCES (UNLESS SPECIFIED)		DIMENSION STYLE MM ONLY	SCALE 2:1	DESIGN UNITS METRIC	THIRD ANGLE PROJECTION		
		4 PLACES ± --- ± ---	3 PLACES ± --- ± ---	2 PLACES ± 0.13 ± ---	1 PLACE ± 0.25 ± ---	DRAWN BY JLONG	DATE 01-18-2007	TITLE STACKED SFP+ 2X6 ASS'Y WITH ELASTOMERIC GASKET	
		ANGULAR ± 5 °		DRAFT WHERE APPLICABLE MUST REMAIN WITHIN DIMENSIONS		CHECKED BY MSANDBERG	DATE 01-18-2007	MOLEX INCORPORATED	
		MATERIAL NO. SEE TABLE		DOCUMENT NO. SD-76094-001		SHEET NO. 2 OF 4		THIS DRAWING CONTAINS INFORMATION THAT IS PROPRIETARY TO MOLEX INCORPORATED AND SHOULD NOT BE USED WITHOUT WRITTEN PERMISSION	

12 11 10 9 8 7 6 5 4 3 2 1



CONNECTOR PIN-OUT DETAIL
COMPONENT SIDE OF BOARD

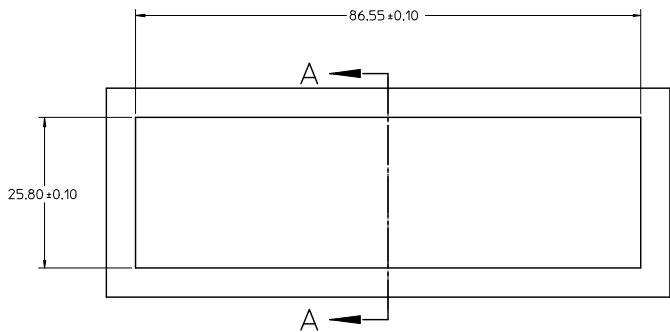


DETAIL A
SCALE 6:1

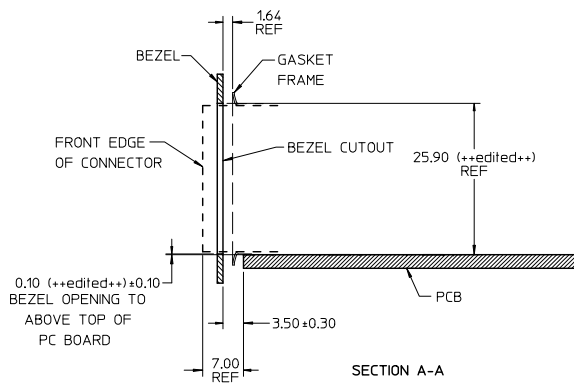
RECOMMENDED PCB LAYOUT - COMPONENT SIDE
 RECOMMENDED PCB THICKNESS - 2.36 MM (.093 INCH)
 THE ENTIRE AREA OF THE CONNECTOR FOOTPRINT
 TO BE CONSIDERED THE KEEP OUT AREA FOR COMPONENTS
 (OTHER THAN LIGHT PIPE LED'S).
 THIS AREA IS INDICATED BY THE DASHED LINE

ADD KEEP OUT ZONES EC NO: UEP2009-2653 31/15/09 DRWNS IBARRA CHKD:SMART 2009/06/08 APPR:SHILLER 2009/06/08	QUALITY SYMBOLS ▽=0 ▽=0	GENERAL TOLERANCES (UNLESS SPECIFIED)		DIMENSION STYLE MM ONLY		SCALE 3:1	DESIGN UNITS METRIC	THIRD ANGLE PROJECTION	
		4 PLACES ± --- ± --- 3 PLACES ± --- ± --- 2 PLACES ± 0.13 ± --- 1 PLACE ± 0.25 ± --- ANGULAR ± 5 °	mm INCH	DRAWN BY JLONG	DATE 01-18-2007	TITLE STACKED SFP+ 2X6 ASS'Y WITH ELASTOMERIC GASKET			
		DRAFT WHERE APPLICABLE MUST REMAIN WITHIN DIMENSIONS		CHECKED BY MSANDBERG	DATE 01-18-2007	APPROVED BY RNELSON			
		SEE TABLE		MATERIAL NO. SD-76094-001	DATE 01-18-2007	DOCUMENT NO. SD-76094-001			

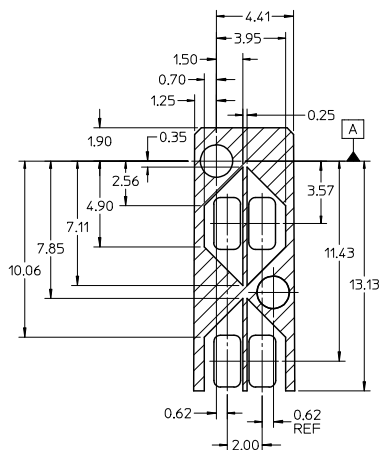
13 12 11 10 9 8 7 6 5 4 3 2 1



BEZEL CUTOUT CENTER SPACING DETAIL
BEZEL THICKNESS 0.8 - 2.6



SECTION A-A



KEEPOUT ZONE DETAIL
SCALE 6:1

SEE SHEET 1 EIC NO. UEP2009-2853 DRAWN BY DRWINIS BARRA 5/15/09 CHECKED BY CHACOSMART 2009/06/08 APPR: SHILLER 2009/06/08	QUALITY SYMBOLS ▽=0 ▽=0	GENERAL TOLERANCES (UNLESS SPECIFIED)		DIMENSION STYLE		SCALE	DESIGN UNITS	THIRD ANGLE PROJECTION		
				MM ONLY		2:1	METRIC			
		4 PLACES ±	±	DRAWN BY	DATE	TITLE				
		3 PLACES ±	±	JLONG	01-18-2007	STACKED SFP+ 2X6 ASS'Y WITH ELASTOMERIC GASKET				
2 PLACES ±	0.13	CHECKED BY	DATE	MATERIAL NO.						
1 PLACE ±	0.25	MSANDBERG	01-18-2007	DOCUMENT NO.						
ANGULAR ± 5 °		APPROVED BY	DATE	MATERIAL NO.		DOCUMENT NO.		SHEET NO.		
DRAFT WHERE APPLICABLE MUST REMAIN WITHIN DIMENSIONS		RNELSON	01-18-2007	SEE TABLE		SD-76094-001		4 OF 4		
THIS DRAWING CONTAINS INFORMATION THAT IS PROPRIETARY TO MOLEX INCORPORATED AND SHOULD NOT BE USED WITHOUT WRITTEN PERMISSION										

12 11 10 9 8 7 6 5 4 3 2 1