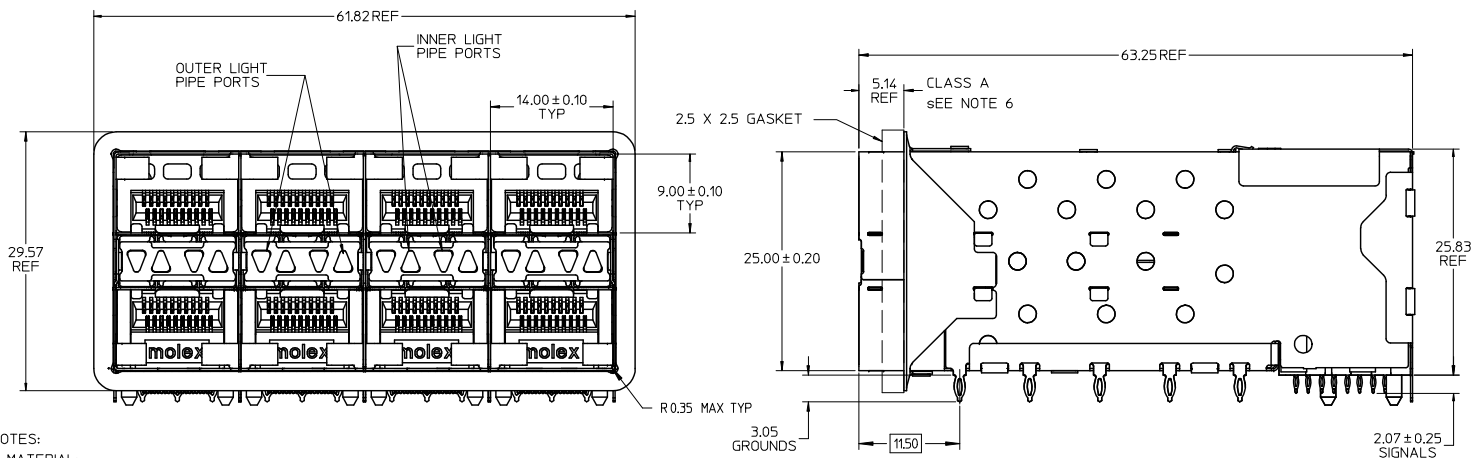


13 12 11 10 9 8 7 6 5 4 3 2 1

PART NUMBER	DESCRIPTION	VIEW	COMPLIANT TAIL PLATING	CAGE PLATING
760920001	4 LIGHT PORTS	SEE PG 2	TIN / LEAD	N/A
760920002	INNER 2 PORTS	SEE PG 2	TIN / LEAD	N/A
760920003	OUTER 2 PORTS	SEE PG 2	TIN / LEAD	N/A
760925001	4 LIGHT PORTS	SEE PG 2	TIN	N/A
760925002	INNER 2 PORTS	SEE PG 2	TIN	N/A
760925003	OUTER 2 PORTS	SEE PG 2	TIN	N/A



NOTES:

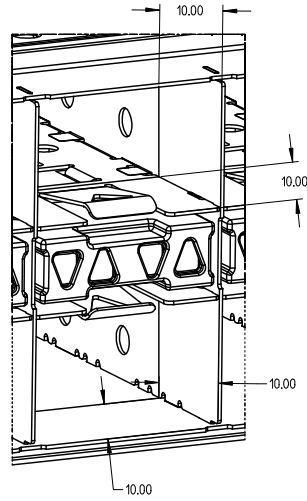
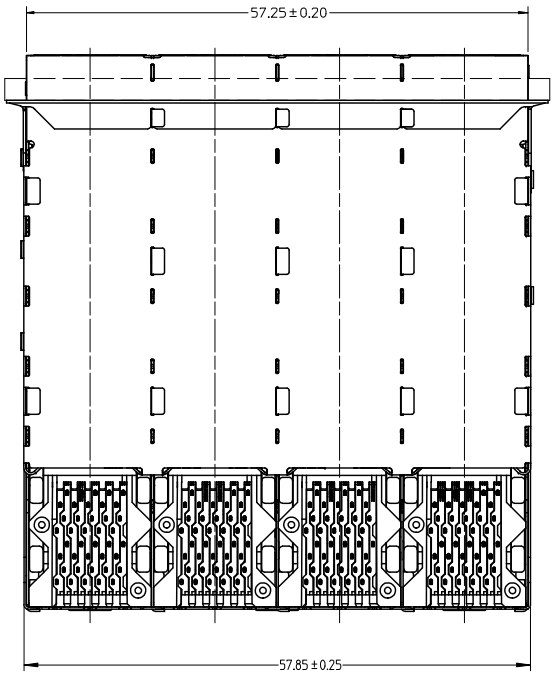
- MATERIAL:
  - CAGE: NICKEL SILVER, THICKNESS: 0.25mm
  - CAGE FLANGE: STAINLESS STEEL
  - EMI GASKET: CONDUCTIVE POLYMER
  - CONNECTOR HOUSING: GLASS FILLED HIGH TEMP PLASTIC, 94 V-0, COLOR: BLACK
  - OVERMOLDED TERMINAL HOUSING: GLASS FILLED HIGH TEMP PLASTIC, 94 V-0, COLOR: BLACK
  - TERMINALS: TIN BRASS
  - LIGHT PIPES: POLYCARBONITE, 94 V-0, COLOR: CLEAR
  - LIGHT PIPE HOUSING: ZINC
- FINISH:
  - LIGHT PIPE HOUSING: 150 MICRONS NICKEL OVER 150 MICRONS COPPER
  - TERMINALS: CONTACT AREA: 0.76 MICRONS MIN. HARD GOLD OVER 1.27 MICRONS NICKEL.
  - COMPLIANT TAIL - TIN/LEAD OPTION: 0.76 - 1.52 MICRONS 90/10 TIN/LEAD OVER 0.76 - 1.52 MICRONS NICKEL
  - COMPLIANT TAIL - TIN OPTION: 0.76 - 1.52 MICRONS TIN OVER 0.76 - 1.52 MICRONS NICKEL
- REFER TO PS-75310-001 PRODUCT SPEC FOR ALL ELECTRICAL, MECHANICAL AND ENVIRONMENTAL SPECIFICATIONS.
- LIGHT PIPE PAD LAYOUT IS FOR 0805 LOW-PROFILE LED PACKAGE, FOR OTHER RECOMMENDED LAYOUTS REFER TO MOLEX'S REPORT TS-75310-001.
- REFER TO PK-75450-001 FOR ALL PACKAGING SPECIFICATIONS.
- ALL EXTERIOR SURFACES TO BE CLASS 'B' SURFACE EXCEPT THE UNDER SIDE OF THE CAGE WHERE THE PCB WOULD BE LOCATED AND AS NOTED. THE SURFACES TO CONFORM TO THE MOLEX COSMETIC DOC PS-45499-002.

ADD: KEEP OUT ZONES EC NO. UCP2009-0976 DRAWN BY: JLONG 2009/02/11 CHECKED BY: CHKOBBARKER 2009/02/16 APPR: SHILLER 2009/02/16	QUALITY SYMBOLS ▽=0 ▽=0	GENERAL TOLERANCES (UNLESS SPECIFIED)		DIMENSION STYLE		SCALE	DESIGN UNITS	THIRD ANGLE PROJECTION		
		mm	INCH	MM ONLY		3:1	METRIC			
		4 PLACES ± .13	± .005	DRAWN BY	DATE	TITLE				
		3 PLACES ± .13	± .005	JLONG	01-26-2007	STACKED SFP+ 2X4 ASS'Y WITH ELASTOMERIC GASKET AND LIGHTPIPES				
2 PLACES ± 0.25	± .005	CHECKED BY	DATE	MATERIAL NO.						
1 PLACE ± 0.25	± .005	MSANDBERG	01-26-2007	DOCUMENT NO.						
ANGULAR ± 5°		APPROVED BY	DATE	SEE TABLE		SD-76092-001			SHEET NO.	
DRAFT WHERE APPLICABLE MUST REMAIN WITHIN DIMENSIONS		RNELSON	01-26-2007	SIZE		THIS DRAWING CONTAINS INFORMATION THAT IS PROPRIETARY TO MOLEX INCORPORATED AND SHOULD NOT BE USED WITHOUT WRITTEN PERMISSION			1 OF 4	

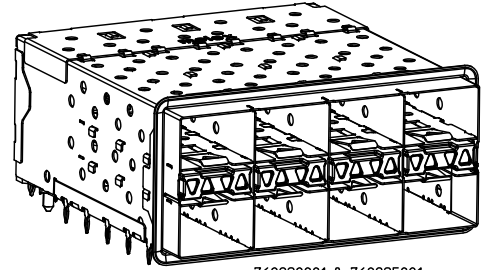
1b\_frame\_C\_P\_AM.T  
Rev. E 2006/04/15

12 11 10 9 8 7 6 5 4 3 2 1

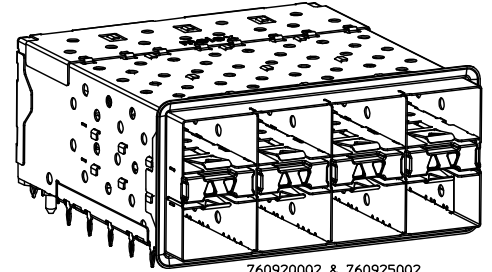
13 12 11 10 9 8 7 6 5 4 3 2 1



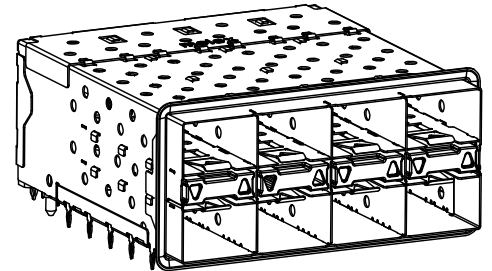
**PORT DETAIL**  
 10.00mm AREA SETBACK IN CAGE IS TO BE FREE OF ANY HOLES, DIMPLES, SEAMS OR ANY OTHER FEATURE. (4 SIDES PER PORT)



760920001 & 760925001  
 WITH INNER & OUTER LIGHT PIPE PORTS



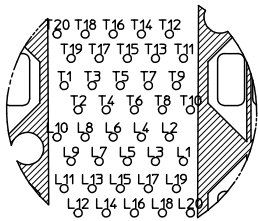
760920002 & 760925002  
 WITH INNER LIGHT PIPE PORTS



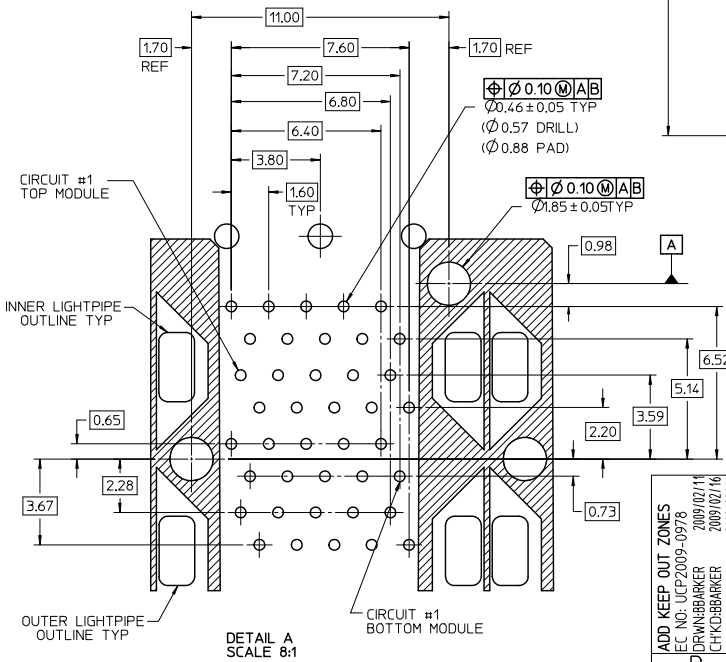
760920003 & 760925003  
 WITH OUTER LIGHT PIPE PORTS

SEE SHEET 1 EC NO: UEP2009-0978 DRW: BARKER 2009/02/11 CHK: BARKER 2009/02/16 APPR: SHILLER 2009/02/16 REV D	QUALITY SYMBOLS	GENERAL TOLERANCES (UNLESS SPECIFIED)	DIMENSION STYLE	SCALE	DESIGN UNITS	THIRD ANGLE PROJECTION	
	▽=0 ▽=0	mm INCH 4 PLACES ± --- ± --- 3 PLACES ± --- ± --- 2 PLACES ± 0.13 ± --- 1 PLACE ± 0.25 ± --- ANGULAR ± 5 °	MM ONLY	3:1	METRIC	☉ ☐	
	DESCRIPTION	DRAFT WHERE APPLICABLE MUST REMAIN WITHIN DIMENSIONS	DRAWN BY: JLONG CHECKED BY: MSANDBERG APPROVED BY: RNELSON	DATE: 01-26-2007 DATE: 01-26-2007 DATE: 01-26-2007	TITLE: STACKED SFP+ 2X4 ASS'Y WITH ELASTOMERIC GASKET AND LIGHTPIPES MOLEX INCORPORATED		
	REV	SIZE C	MATERIAL NO.	DOCUMENT NO.	SHEET NO. 2 OF 4		

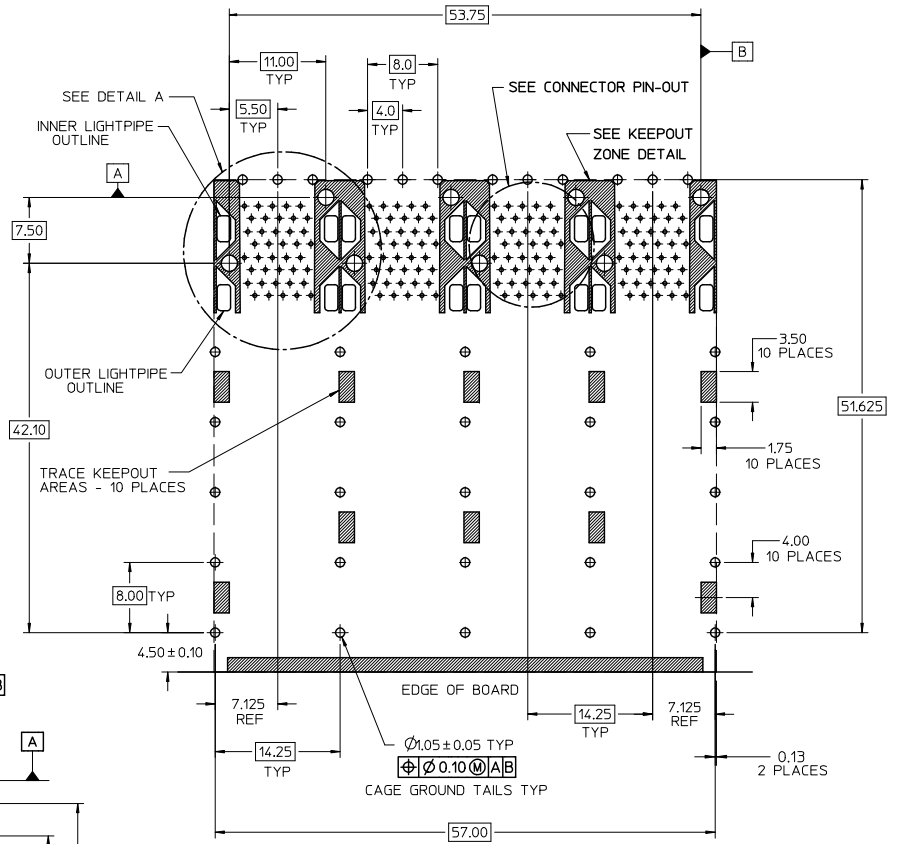
12 11 10 9 8 7 6 5 4 3 2 1



CONNECTOR PIN-OUT  
COMPONENT SIDE OF BOARD



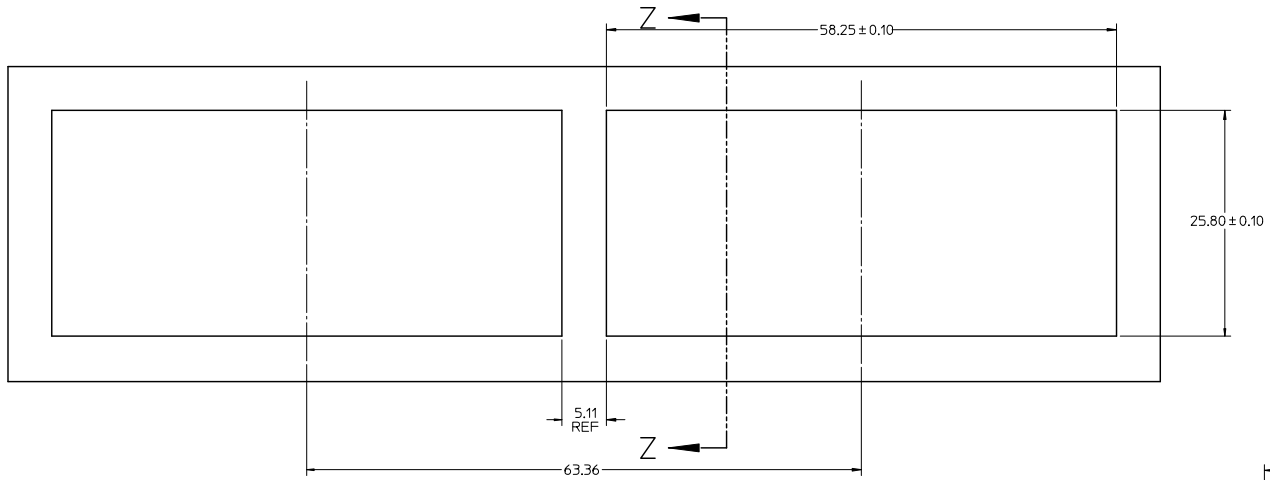
DETAIL A  
SCALE 8:1



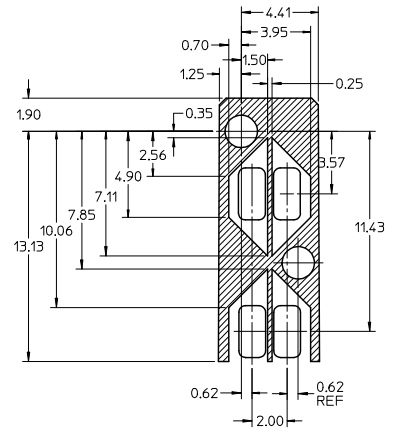
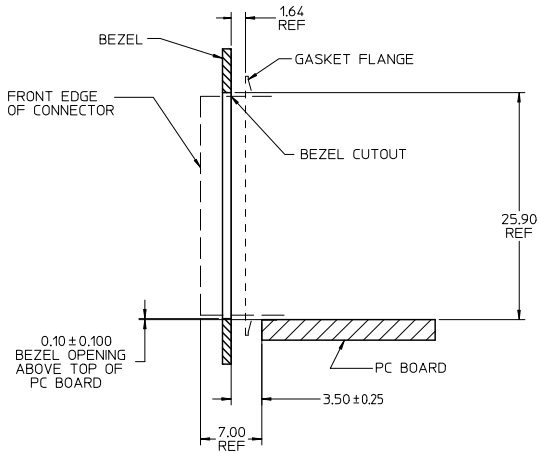
RECOMMENDED PCB LAYOUT - COMPONENT SIDE  
MINIMUM PCB THICKNESS OF 1.57MM  
THE ENTIRE AREA OF THE CONNECTOR FOOTPRINT  
TO BE CONSIDERED THE KEEP OUT AREA INDICATED  
BY THE DASHED LINE

<b>ADD KEEP OUT ZONES</b> EC NO. LCP2009-0978 DRAWN BY: 2009/02/11 CHKD BY: 2009/02/16 APPR: 2009/02/16	<b>QUALITY SYMBOLS</b> ▽=0 ▽=0	<b>GENERAL TOLERANCES (UNLESS SPECIFIED)</b>		<b>DIMENSION STYLE</b> MM ONLY		SCALE 3:1	DESIGN UNITS METRIC	THIRD ANGLE PROJECTION		
		4 PLACES ± --- ± ---	3 PLACES ± --- ± ---	2 PLACES ± 0.13 ± ---	1 PLACE ± 0.25 ± ---	ANGULAR ± 5°	DRAWN BY: JLONG DATE: 01-26-2007	CHECKED BY: MSANDBERG DATE: 01-26-2007	APPROVED BY: RNELSON DATE: 01-26-2007	TITLE <b>STACKED SFP+ 2X4 ASS'Y WITH ELASTOMERIC GASKET AND LIGHTPIPES</b>
		DRAFT WHERE APPLICABLE MUST REMAIN WITHIN DIMENSIONS			SEE TABLE		MATERIAL NO. DOCUMENT NO.		MOLEX INCORPORATED	
		SD-76092-001			SHEET NO. 3 OF 4		MOLEX INCORPORATED			

13 12 11 10 9 8 7 6 5 4 3 2 1



BEZEL CUTOUT CENTER SPACING DETAIL  
BEZEL THICKNESS 0.8-2.6



CONNECTOR HOUSING  
SCALE 6:1

SEE SHEET 1 EC NO: UEP2009-0978 DRAWN BY: JLONG 2009/02/11 CHECKED BY: CHKD.BARKER 2009/02/16 APPR: SMILLER 2009/02/16	QUALITY SYMBOLS ▽=0 ▽=0	GENERAL TOLERANCES (UNLESS SPECIFIED)		DIMENSION STYLE MM ONLY	SCALE 3:1	DESIGN UNITS METRIC	THIRD ANGLE PROJECTION	
		4 PLACES ± --- ± ---	3 PLACES ± --- ± ---	DRAWN BY JLONG	DATE 01-26-2007	TITLE STACKED SFP+ 2X4 ASS'Y WITH ELASTOMERIC GASKET AND LIGHTPIPES		
		2 PLACES ± 0.13 ± ---	1 PLACE ± 0.25 ± ---	CHECKED BY MSANDBERG	DATE 01-26-2007	MOLEX INCORPORATED		
		ANGULAR ± 5 °		APPROVED BY RNELSON	DATE 01-26-2007	MATERIAL NO. SD-76092-001		
DRAFT WHERE APPLICABLE MUST REMAIN WITHIN DIMENSIONS		SEE TABLE		THIS DRAWING CONTAINS INFORMATION THAT IS PROPRIETARY TO MOLEX INCORPORATED AND SHOULD NOT BE USED WITHOUT WRITTEN PERMISSION			SHEET NO. 4 OF 4	

12 11 10 9 8 7 6 5 4 3 2 1