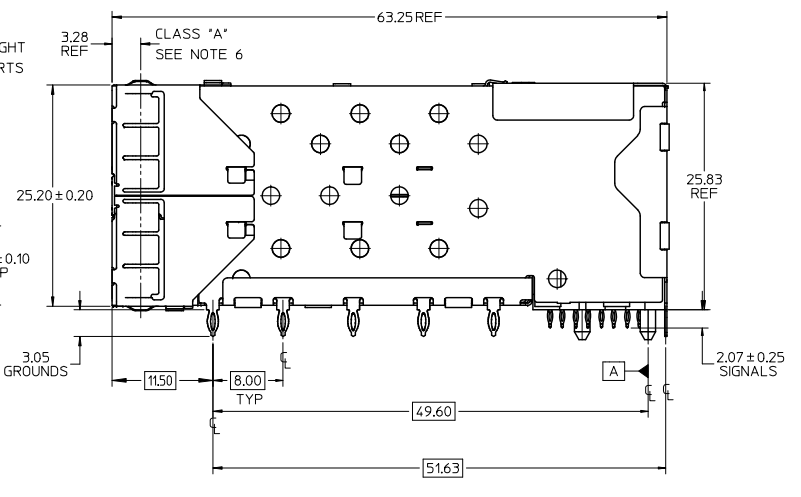
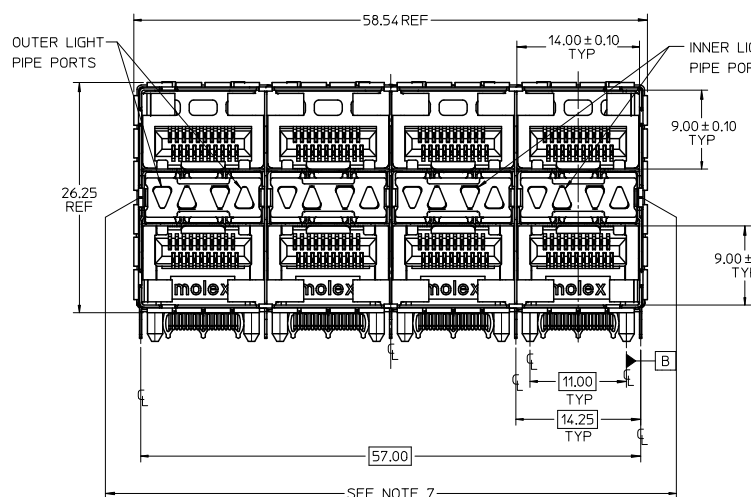


13 12 11 10 9 8 7 6 5 4 3 2 1

PART NUMBER	DESCRIPTION	VIEW	COMPLIANT TAIL PLATING
760460001	4 LIGHT PORTS	SEE PG 2	TIN / LEAD
760460002	INNER 2 PORTS	SEE PG 2	TIN / LEAD
760460003	OUTER 2 PORTS	SEE PG 2	TIN / LEAD
760465001	4 LIGHT PORTS	SEE PG 2	TIN
760465002	INNER 2 PORTS	SEE PG 2	TIN
760465003	OUTER 2 PORTS	SEE PG 2	TIN

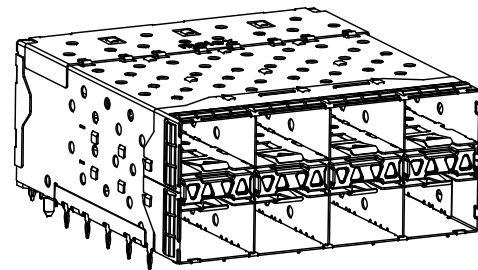


- NOTES:
- MATERIAL:
    - CAGE: NICKEL SILVER, THICKNESS: 0.25mm
    - EMI GASKET: PHOS-BRONZE
    - CONNECTOR HOUSING: GLASS FILLED HIGH TEMP PLASTIC, 94 V-0
    - COLOR: BLACK
    - OVERMOLDED TERMINAL HOUSING: GLASS FILLED HIGH TEMP PLASTIC, 94 V-0, COLOR: BLACK
    - TERMINALS: TIN BRASS
    - LIGHT PIPES: POLYCARBONITE, 94 V-0, COLOR: CLEAR
    - LIGHT PIPE HOUSING: ZINC
  - FINISH:
    - LIGHT PIPE HOUSING: 150 MICRONS NICKEL OVER 150 MICRONS COPPER
    - TERMINALS: CONTACT AREA: 0.76 MICRONS MIN. HARD GOLD OVER 1.27 MICRONS NICKEL.
    - COMPLIANT TAIL - TIN/LEAD OPTION: 0.76 - 1.52 MICRONS 90/10 TIN/LEAD OVER 0.76 - 1.52 MICRONS NICKEL
    - COMPLIANT TAIL - TIN OPTION: 0.76 - 1.52 MICRONS TIN OVER 0.76 - 1.52 MICRONS NICKEL
    - EMI GASKET: 2.54 MICRONS NICKEL OVERALL
  - REFER TO PS-75310-001 PRODUCT SPEC FOR ALL ELECTRICAL, MECHANICAL AND ENVIRONMENTAL SPECIFICATIONS.
  - LIGHT PIPE PAD LAYOUT IS FOR 0805 LOW-PROFILE LED PACKAGE, FOR OTHER RECOMMENDED LAYOUTS REFER TO MOLEX'S REPORT TS-75310-001.
  - REFER TO PK-75450-001 FOR ALL PACKAGING SPECIFICATIONS.
  - ALL EXTERIOR SURFACES TO BE CLASS "B" SURFACE EXCEPT THE UNDER SIDE OF THE CAGE WHERE THE PCB WOULD BE LOCATED AND AS NOTED, THE SURFACES TO CONFORM TO THE MOLEX COSMETIC DOC PS-45499-002.
  - THE OVERALL CAGE WIDTH AT THE VERTICAL CENTER OF THE FRONT EDGE WILL FALL WITHIN THIS DIMENSION: 57.80+/-0.30 MM. THIS PORTION OF THE CAGE WILL FLEX INWARD AS THE CAGE IS BEING INSERTED INTO THE BEZEL OPENING.

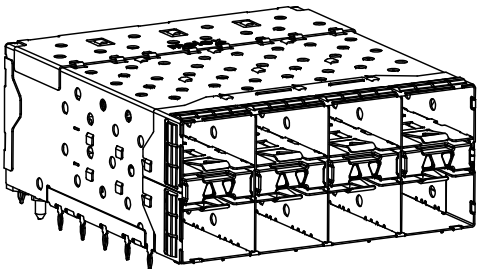
ADD NOTE 7/KEEPPOUTS EC NO. ICF2009-1582 2009/01/07 DRWNGS DBARRA 2009/01/09 CHKCD BARKER APPR: SHILLER 2009/01/12	QUALITY SYMBOLS ▽=0 ▽=0	GENERAL TOLERANCES (UNLESS SPECIFIED)		DIMENSION STYLE MM ONLY		SCALE 3:1	DESIGN UNITS METRIC	THIRD ANGLE PROJECTION
		4 PLACES ± --- ± --- 3 PLACES ± --- ± --- 2 PLACES ± 0.13 ± --- 1 PLACE ± 0.25 ± --- ANGULAR ± 5 °	DRAWN BY MSANDBERG DATE 1-26-2006	CHECKED BY JLONG DATE 1-26-2006	TITLE STACKED SFP+ 2X4 ASS'Y WITH METAL EMI GASKET AND LIGHTPIPES			
DRAFT WHERE APPLICABLE MUST REMAIN WITHIN DIMENSIONS		SEE TABLE		MATERIAL NO. DOCUMENT NO. SD-76046-001		MOLEX INCORPORATED		
THIS DRAWING CONTAINS INFORMATION THAT IS PROPRIETARY TO MOLEX INCORPORATED AND SHOULD NOT BE USED WITHOUT WRITTEN PERMISSION						SHEET NO. 1 OF 4		

12 11 10 9 8 7 6 5 4 3 2 1

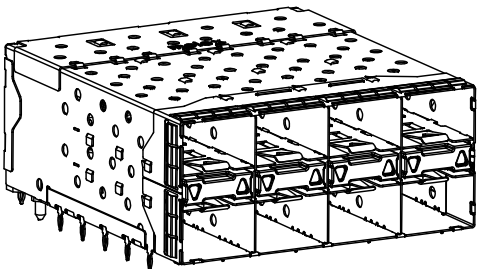
13 12 11 10 9 8 7 6 5 4 3 2 1



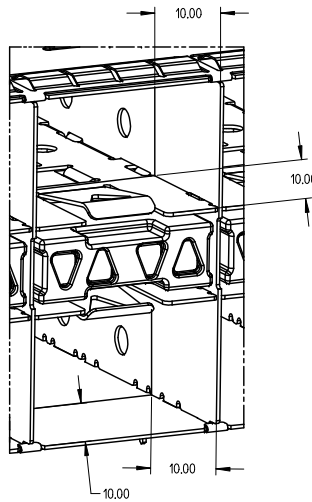
760460001 AND 760465001  
WITH INNER AND OUTER LIGHT PIPES



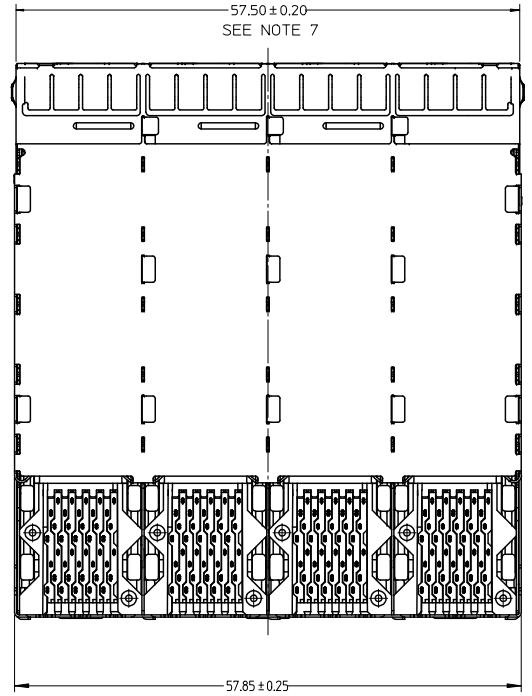
760460002 AND 760465002  
WITH INNER LIGHT PIPES



760460003 AND 760465003  
WITH OUTER LIGHT PIPES

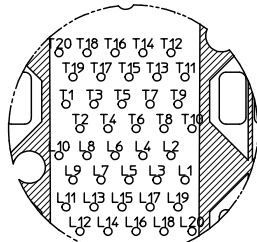


10.00mm AREA SETBACK IN CAGE IS TO BE FREE OF ANY HOLES, DIMPLES, SEAMS OR ANY OTHER FEATURE.  
(4 SIDES PER MODULE PORT)

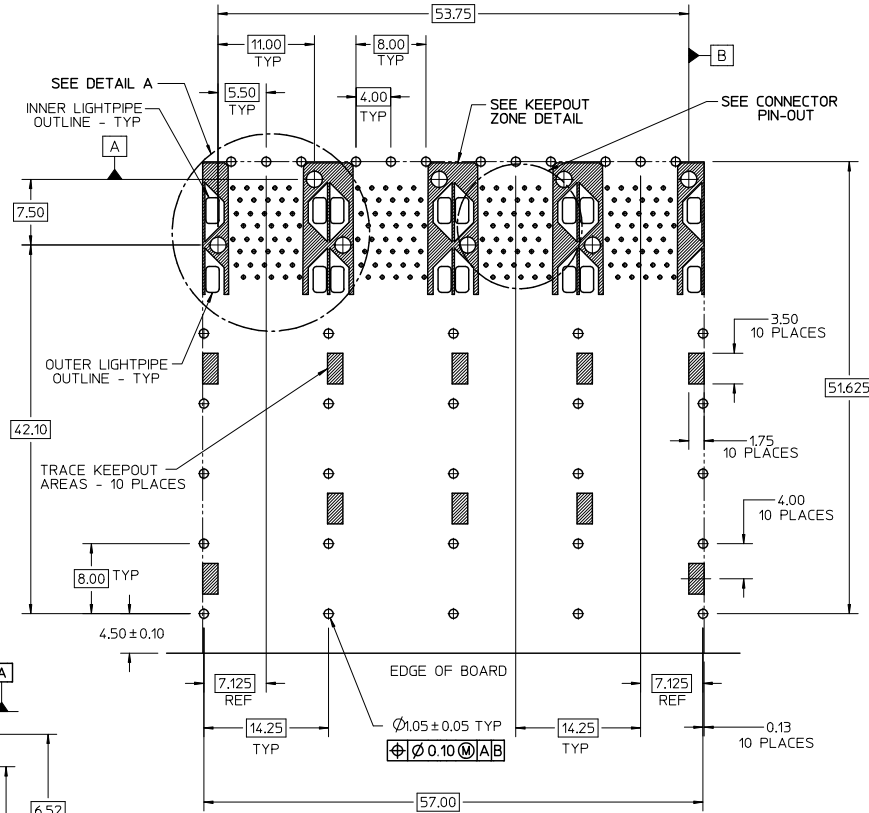
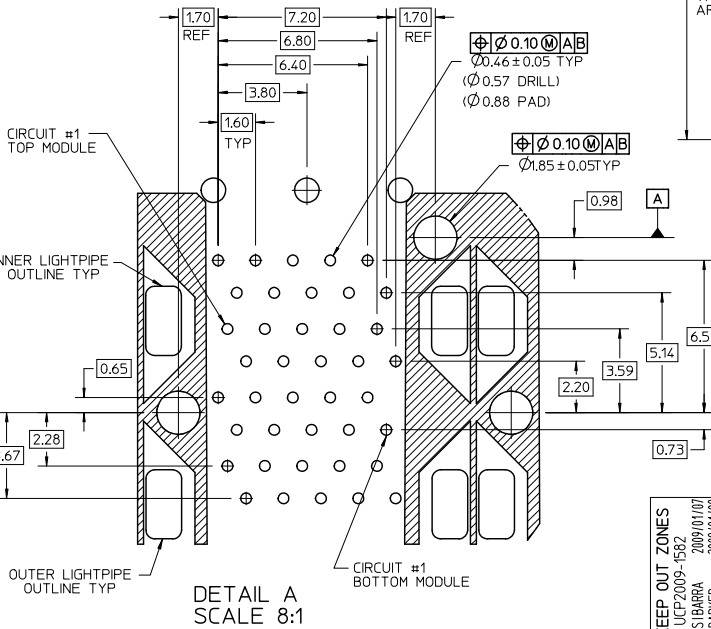


SEE SHEET 1 EC NO: UCP2009-1582 2009/01/07 DRWN:RS IBARRA CHK:CBARKER APPR:SMILLER 2009/01/09 2009/01/12	QUALITY SYMBOLS	GENERAL TOLERANCES (UNLESS SPECIFIED)		DIMENSION STYLE		SCALE	DESIGN UNITS	THIRD ANGLE PROJECTION
	▽=0 ▽=0	mm	INCH	MM ONLY		3:1	METRIC	
	DESCRIPTION	4 PLACES ±---	±---	DRAWN BY	DATE	TITLE		
	REV	3 PLACES ±---	±---	MSANDBERG	1-26-2006	STACKED SFP+ 2X4 ASS'Y WITH METAL EMI GASKET AND LIGHTPIPES		
	2 PLACES ±0.13	±---	CHECKED BY	DATE	MATERIAL NO.			SHEET NO.
	1 PLACE ±0.25	±---	JLONG	1-26-2006	SD-76046-001			2 OF 4
	ANGULAR ± 5 °			APPROVED BY	DATE	MOLEX INCORPORATED		
				RNELSON	1-26-2006	THIS DRAWING CONTAINS INFORMATION THAT IS PROPRIETARY TO MOLEX INCORPORATED AND SHOULD NOT BE USED WITHOUT WRITTEN PERMISSION		
		DRAFT WHERE APPLICABLE MUST REMAIN WITHIN DIMENSIONS		SEE TABLE				

12 11 10 9 8 7 6 5 4 3 2 1



CONNECTOR PIN-OUT  
COMPONENT SIDE OF BOARD

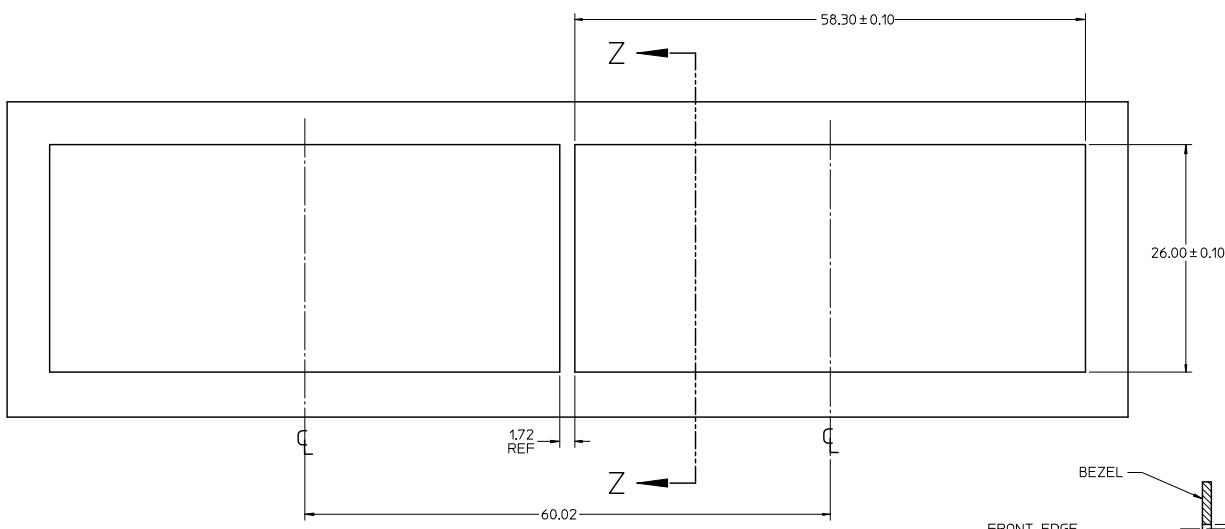


RECOMMENDED PCB LAYOUT - COMPONENT SIDE  
RECOMMENDED PCB THICKNESS - 2.36 MM (0.093 INCH)

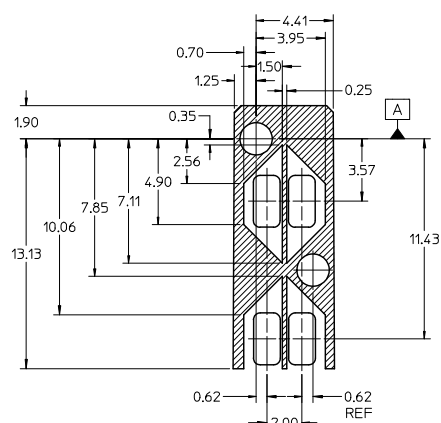
THE ENTIRE AREA OF THE CONNECTOR FOOTPRINT  
TO BE CONSIDERED THE KEEP OUT AREA FOR COMPONENTS  
(OTHER THAN THE LIGHT PIPE LED'S)  
THIS AREA IS INDICATED BY THE DASHED LINE

<b>ADD KEEP OUT ZONES</b> EC NO.: LEP2009-4582 DRWNS: IBARRA 2009/01/07 CHKD: BARBER 2009/01/09 APPR: SPILLER 2009/01/12	<b>QUALITY SYMBOLS</b> $\nabla=0$ $\nabla=0$	<b>GENERAL TOLERANCES (UNLESS SPECIFIED)</b>		<b>DIMENSION STYLE</b> MM ONLY	<b>SCALE</b> 3:1	<b>DESIGN UNITS</b> METRIC	<b>THIRD ANGLE PROJECTION</b>		
		4 PLACES ± --- ± --- 3 PLACES ± --- ± --- 2 PLACES ± 0.13 ± --- 1 PLACE ± 0.25 ± ---	mm INCH	DRAWN BY MSANDBERG	DATE 1-26-2006	<b>TITLE</b> STACKED SFP+ 2X4 ASS'Y WITH METAL EMI GASKET AND LIGHTPIPES			
		ANGULAR ± 5 °	DRAFT WHERE APPLICABLE MUST REMAIN WITHIN DIMENSIONS	CHECKED BY JLONG	DATE 1-26-2006	<b>MOLEX INCORPORATED</b>			
		APPROVED BY RNELSON	DATE 1-26-2006	MATERIAL NO. SEE TABLE	DATE 1-26-2006	DOCUMENT NO. SD-76046-001	SHEET NO. 3 OF 4		

13 12 11 10 9 8 7 6 5 4 3 2 1

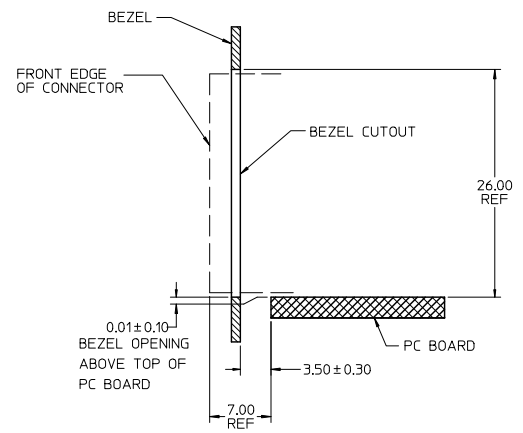


BEZEL CUTOUT CENTER SPACING DETAIL  
BEZEL THICKNESS 0.8-2.6



DETAIL - LIGHTPIPE LOCATION AND OTHER ZONES  
SCALE 8:1

THE HATCHED AREA IN THIS VIEW INDICATES ZONES THAT ARE OCCUPIED BY THE PLASTIC HOUSING THAT SEATS AGAINST THE PCB AND BY THE VERTICAL METAL CAGE WALL THAT STOPS JUST SHORT OF THE PCB



SECTION Z-Z  
SCALE 3:1

SEE SHEET 1 IEC NO. UEP2009-582 DRAWN BY IBARRA 2009/01/07 CHECKED BY BARKER 2009/01/09 APPR: SMILLER 2009/01/12	QUALITY SYMBOLS ▽=0 ▽=0	GENERAL TOLERANCES (UNLESS SPECIFIED)		DIMENSION STYLE MM ONLY		SCALE 3:1	DESIGN UNITS METRIC	THIRD ANGLE PROJECTION	
		4 PLACES ± --- ± ---	mm	INCH	DRAWN BY MSANDBERG	DATE 1-26-2006	TITLE STACKED SFP+ 2X4 ASS'Y WITH METAL EMI GASKET AND LIGHTPIPES		
		3 PLACES ± --- ± ---			CHECKED BY JLONG	DATE 1-26-2006	MOLEX INCORPORATED		
		2 PLACES ± 0.13 ± ---			APPROVED BY RNELSON	DATE 1-26-2006	MATERIAL NO. SD-76046-001		
		1 PLACE ± 0.25 ± ---	ANGULAR ± 5 °		DRAFT WHERE APPLICABLE MUST REMAIN WITHIN DIMENSIONS		THIS DRAWING CONTAINS INFORMATION THAT IS PROPRIETARY TO MOLEX INCORPORATED AND SHOULD NOT BE USED WITHOUT WRITTEN PERMISSION		
				SIZE C			DOCUMENT NO. SD-76046-001	SHEET NO. 4 OF 4	

1b\_frame\_C\_P\_AM\_T Rev. E 2006/04/15 12 11 10 9 8 7 6 5 4 3 2 1