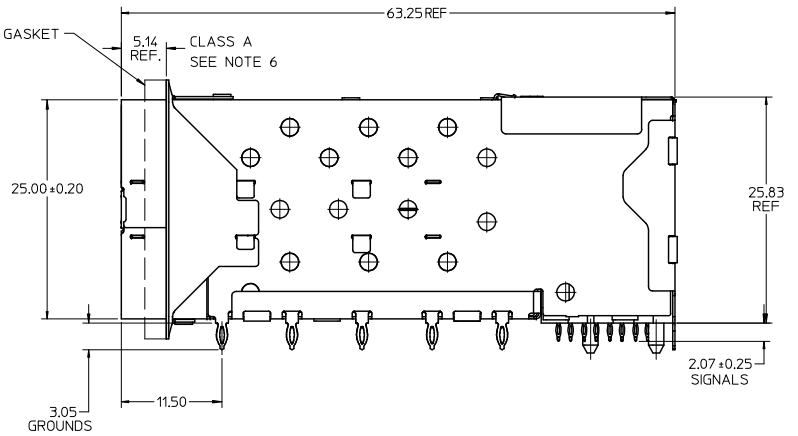
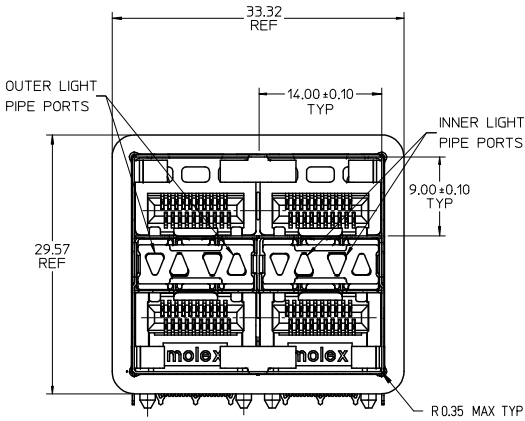


PART NUMBER	DESCRIPTION	VIEW	COMPLIANT TAIL PLATING	CAGE PLATING
760910001	4 LIGHT PORTS	SEE PG 2	TIN / LEAD	N/A
760910002	INNER 2 PORTS	SEE PG 2	TIN / LEAD	N/A
760910003	OUTER 2 PORTS	SEE PG 2	TIN / LEAD	N/A
760915001	4 LIGHT PORTS	SEE PG 2	TIN	N/A
760915002	INNER 2 PORTS	SEE PG 2	TIN	N/A
760915003	OUTER 2 PORTS	SEE PG 2	TIN	N/A

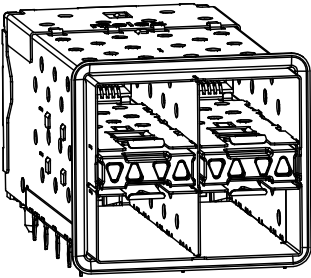


NOTES

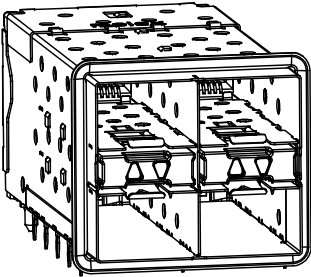
- MATERIAL:
 - CAGE: NICKEL SILVER, THICKNESS: 0.25mm
 - CAGE FLANGE: STAINLESS STEEL
 - EMI GASKET: CONDUCTIVE POLYMER
 - CONNECTOR HOUSING: GLASS FILLED HIGH TEMP PLASTIC, 94 V-0 COLOR BLACK
 - OVERMOLDED TERMINALS HOUSING: GLASS FILLED HIGH TEMP PLASTIC, 94 V-0, COLOR: BLACK
 - TERMINALS: TIN BRASS
 - LIGHT PIPES: POLYCARBONITE, 94 V-0, COLOR: CLEAR
 - LIGHT PIPE HOUSING: ZINC
- FINISH:
 - LIGHT PIPE HOUSING: 150 MICRONS NICKEL OVER 150 MICRONS COPPER
 - TERMINAL: CONTACT AREA: 0.76 MICRONS MIN, HARD GOLD OVER 1.27 MICRONS MIN, NICKEL.
 - COMPLIANT TAIL - TIN/LEAD OPTION: 0.76 - 152 MICRONS 90/10 TIN/LEAD OVER 0.76 - 152 MICRONS NICKEL
 - COMPLIANT TAIL - TIN OPTION: 0.76 - 152 MICRONS TIN OVER 0.76 - 152 MICRONS NICKEL
- REFER TO PS-75310-001 PROTECT SPEC FOR ALL ELECTRICAL, MECHANICAL, AND ENVIRONMENTAL SPECIFICATIONS.
- LIGHT PIPE PAD LAYOUT IS FOR 0805 LOW-PROFILE LED PACKAGE, FOR OTHER RECOMMENDED LAYOUTS REFER TO MOLEX'S REPORT TS-75310-001.
- REFER TO PK-75714-001 FOR ALL PACKAGING SPECIFICATIONS.
- ALL EXTERIOR SURFACES TO BE A CLASS 'B' SURFACE EXCEPT THE UNDER SIDE OF THE CAGE WHERE THE PCB WOULD BE LOCATED AND AS NOTED. THE SURFACES TO CONFORM TO THE MOLEX COSMETIC DOC PS-45499-002.

ADD KEEP-OUT ZONES EC NO. UCP2009-1536 DRWN: ISBARRA 2009/08/04 CHK: KBARKER 2009/08/06 APPR: SHILLER 2009/08/06	QUALITY SYMBOLS ▽=0 ▽=0 ▽=0	GENERAL TOLERANCES (UNLESS SPECIFIED)		DIMENSION STYLE		SCALE	DESIGN UNITS	THIRD ANGLE PROJECTION			
				MM ONLY		3:1	METRIC				
				DRAWN BY		DATE	TITLE				
				4 PLACES ±---		JANTELEZIO		01-18-2007		STACKED SFP+ 2X2 ASSY WITH ELASTOMERIC GASKET AND LIGHTPIPES	
		3 PLACES ±---		CHECKED BY		DATE		MOLEX INCORPORATED			
		2 PLACES ±0.13		MSANDBERG		01-18-2007					
		1 PLACE ±0.25		APPROVED BY		DATE					
		ANGULAR ± 5°		RNELSON		01-18-2007					
		DRAFT WHERE APPLICABLE MUST REMAIN WITHIN DIMENSIONS		MATERIAL NO.		DOCUMENT NO.		SHEET NO.			
				SEE CHART		SD-76091-001		1 OF 4			
				THIS DRAWING CONTAINS INFORMATION THAT IS PROPRIETARY TO MOLEX INCORPORATED AND SHOULD NOT BE USED WITHOUT WRITTEN PERMISSION							

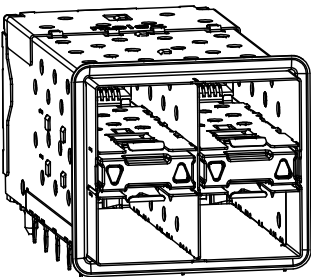
13 12 11 10 9 8 7 6 5 4 3 2 1



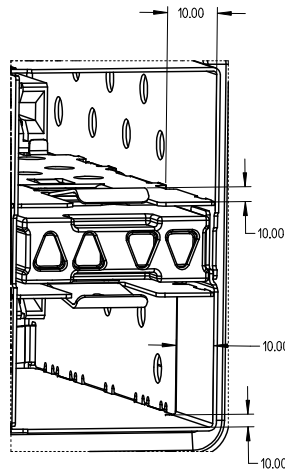
760910001 & 760915001
WITH INNER & OUTER LIGHT PIPE PORTS



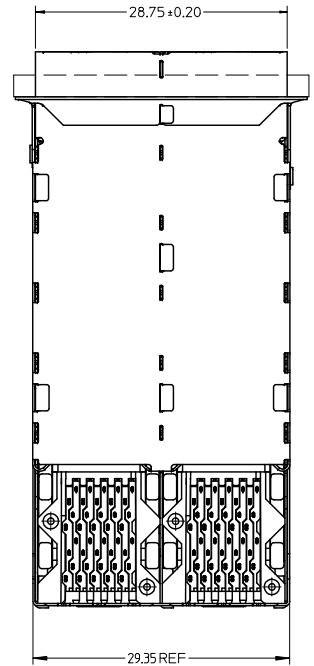
760910002 & 760915002
WITH INNER LIGHT PIPE PORTS



760910003 & 760915003
WITH OUTER LIGHT PIPE PORTS



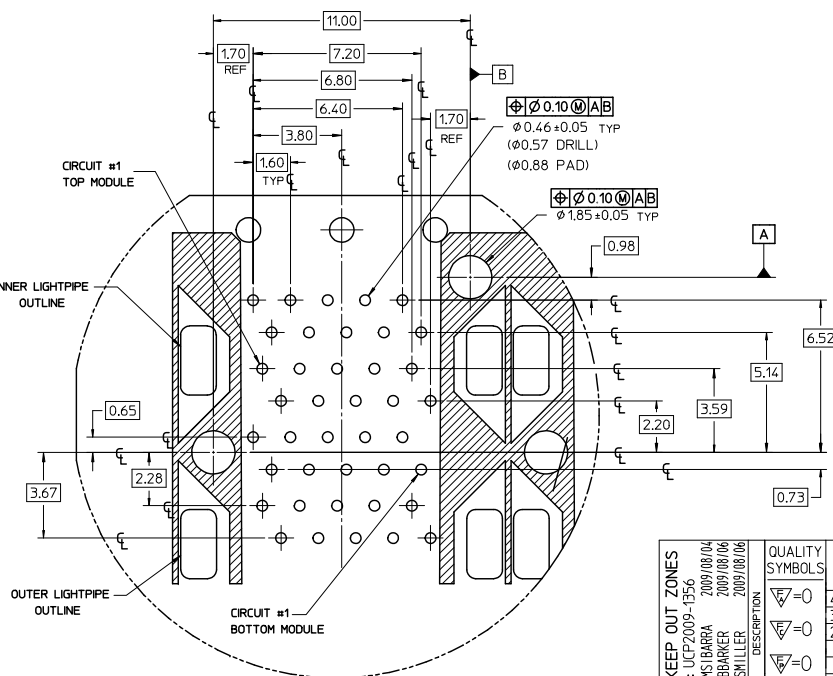
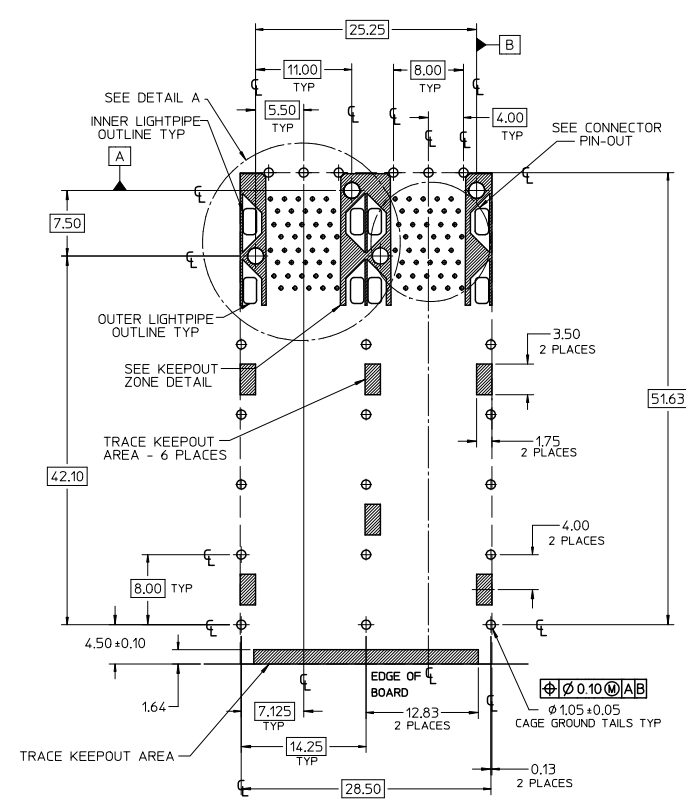
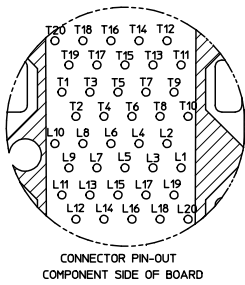
PORT DETAIL
10.00mm AREA SETBACK IN CAGE IS TO BE FREE OF ANY HOLES, DIMPLES, SEAMS OR ANY OTHER FEATURE. (4 SIDES PER PORT)



SEE SHEET 1 EC NO. UCP2009-1356 DRWN:MS IBARRA 2009/08/04 CHK:KBARKER 2009/08/06 APPR:SHILLER 2009/08/06	QUALITY SYMBOLS	GENERAL TOLERANCES (UNLESS SPECIFIED)		DIMENSION STYLE		SCALE	DESIGN UNITS	THIRD ANGLE PROJECTION
	▽=0	mm	INCH	MM ONLY		3:1	METRIC	☉
	▽=0	4 PLACES ± --- ± ---		DRAWN BY	DATE	TITLE		
	▽=0	3 PLACES ± --- ± ---		JJANTELEZ10	01-18-2007	STACKED SFP+ 2X2 ASSY WITH ELASTOMERIC GASKET AND LIGHTPIPES		
▽=0	2 PLACES ± 0.13 ± ---		CHECKED BY	DATE	MATERIAL NO.			
▽=0	1 PLACE ± 0.25 ± ---		MSANDBERG	01-18-2007	DOCUMENT NO.			
	ANGULAR ± 5 °		APPROVED BY	DATE	SD-76091-001			
			RNELSON	01-18-2007	SHEET NO.			
			DRAFT WHERE APPLICABLE MUST REMAIN WITHIN DIMENSIONS		SIZE	THIS DRAWING CONTAINS INFORMATION THAT IS PROPRIETARY TO MOLEX INCORPORATED AND SHOULD NOT BE USED WITHOUT WRITTEN PERMISSION		2 OF 4
								1

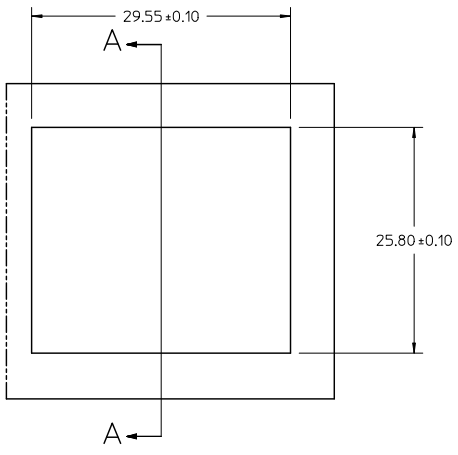
12 11 10 9 8 7 6 5 4 3 2 1

13 12 11 10 9 8 7 6 5 4 3 2 1

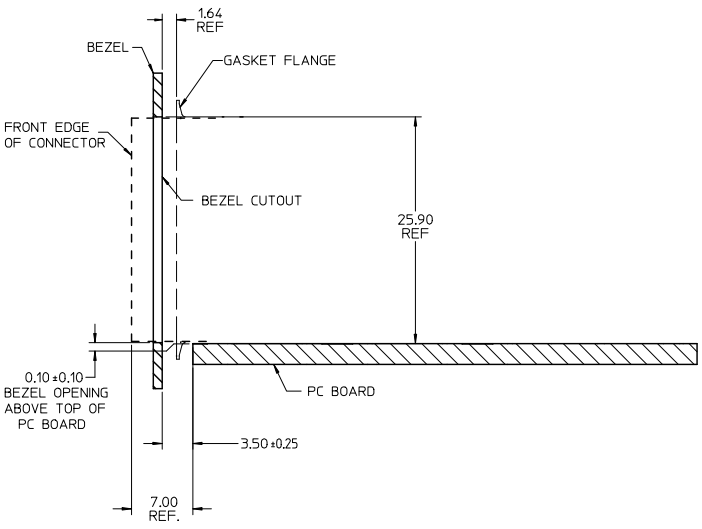


RECOMMENDED PCB LAYOUT - COMPONENT SIDE
RECOMMENDED PCB THICKNESS - 2.36 MM (.093 INCH)
THE ENTIRE AREA OF THE CONNECTOR FOOTPRINT
TO BE CONSIDERED THE KEEPOUT AREA FOR COMPONENTS
(OTHER THAN THE LIGHTPIPE LED'S)
THIS AREA IS INDICATED BY THE DASHED LINE

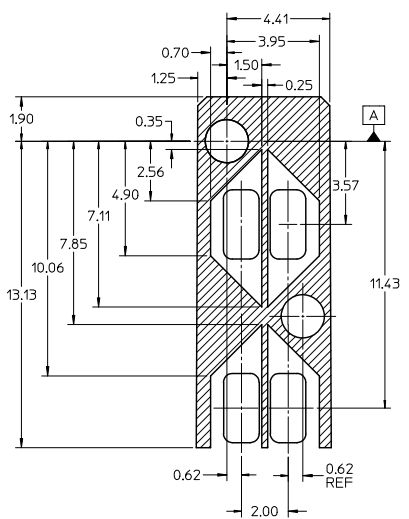
ADD KEEPOUT ZONES EC NO. UCP2009-1536 DRWNRS IBARRA 2009/08/04 CHKDRBARKER 2009/08/06 APPR: SMILLER 2009/08/06	QUALITY SYMBOLS	GENERAL TOLERANCES (UNLESS SPECIFIED)	DIMENSION STYLE	SCALE	DESIGN UNITS	THIRD ANGLE PROJECTION
	▽=0	mm INCH	MM ONLY	3:1	METRIC	☉
	▽=0	4 PLACES ± --- ± --- 3 PLACES ± --- ± --- 2 PLACES ± 0.13 ± --- 1 PLACE ± 0.25 ± ---	DRAWN BY DATE J JANTELEZ10 01-18-2007	TITLE STACKED SFP+ 2X2 ASSY WITH ELASTOMERIC GASKET AND LIGHTPIPES		
	▽=0	ANGULAR ± 5 °	CHECKED BY DATE MSANDBERG 01-18-2007	MATERIAL NO. DOCUMENT NO. SHEET NO. SD-76091-001 3 OF 4		
REN	DESCRIPTION	DRAFT WHERE APPLICABLE MUST REMAIN WITHIN DIMENSIONS	APPROVED BY DATE RNELSON 01-18-2007	MOLEX INCORPORATED		
SIZE			SEE CHART	THIS DRAWING CONTAINS INFORMATION THAT IS PROPRIETARY TO MOLEX INCORPORATED AND SHOULD NOT BE USED WITHOUT WRITTEN PERMISSION		



BEZEL CUT-OUT CENTER SPACING DETAIL
BEZEL THICKNESS: 0.8 - 2.6



SECTION A-A



DETAIL - LIGHTPIPE LOCATION AND OTHER ZONES
SCALE 8:1

THE HATCHED AREA IN THIS VIEW INDICATES ZONES THAT ARE OCCUPIED BY THE PLASTIC HOUSING THAT SEATS AGAINST THE PCB AND BY THE VERTICAL METAL CAGE WALL THAT STOPS JUST SHORT OF THE PCB

SEE SHEET 1 EC NO. UCP2009-1356 2009/08/04 DRWN:RS IBARRA 2009/08/04 CHK:CBARKER 2009/08/06 APPR:SMILLER 2009/08/06	QUALITY SYMBOLS	GENERAL TOLERANCES (UNLESS SPECIFIED)	DIMENSION STYLE	SCALE	DESIGN UNITS	THIRD ANGLE PROJECTION
	▽=0	4 PLACES ± --- ± ---	MM ONLY	3:1	METRIC	☉
	▽=0	3 PLACES ± --- ± ---	DRAWN BY	DATE	TITLE	
	▽=0	2 PLACES ± 0.13 ± ---	JJANTELEZIO	01-18-2007	STACKED SFP+ 2X2 ASSY WITH ELASTOMERIC GASKET AND LIGHTPIPES	
	1 PLACE ± 0.25 ± ---	1 PLACE ± 0.25 ± ---	CHECKED BY	DATE		
	ANGULAR ± 5 °		MSANDBERG	01-18-2007		
			APPROVED BY	DATE		
			RNELSON	01-18-2007		
			MATERIAL NO.	DOCUMENT NO.		
			SEE CHART	SD-76091-001		
			THIS DRAWING CONTAINS INFORMATION THAT IS PROPRIETARY TO MOLEX INCORPORATED AND SHOULD NOT BE USED WITHOUT WRITTEN PERMISSION			SHEET NO.
						4 OF 4