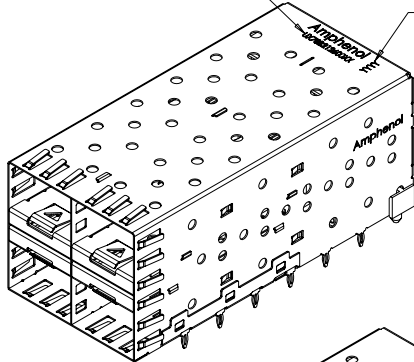
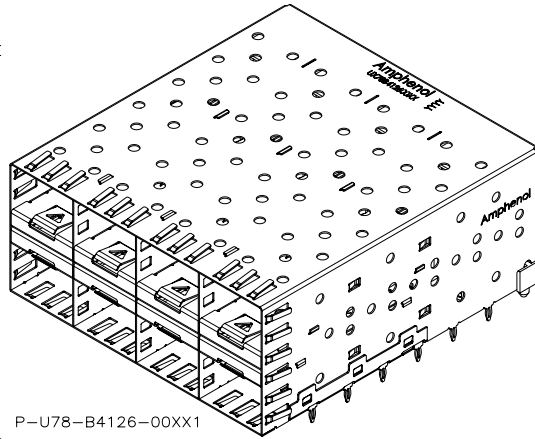


LAST DIGIT INDICATING PACKAGING TYPE, NOT PRINTED ON THE PART

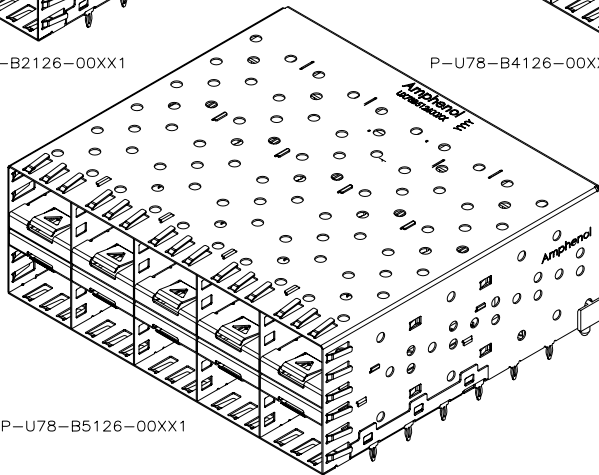
DATE CODE



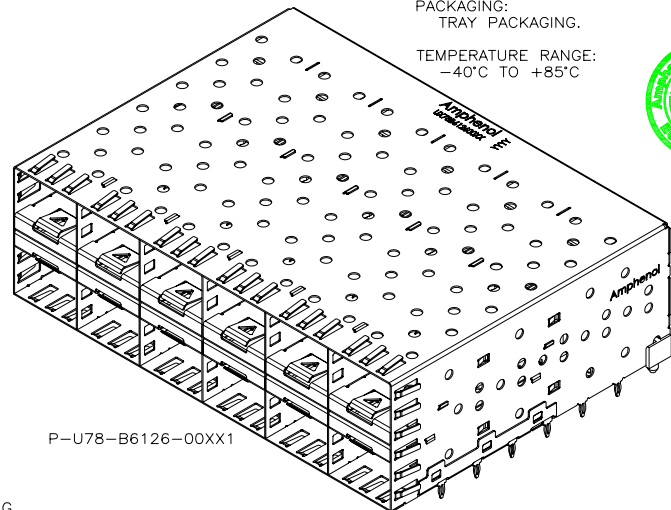
P-U78-B2126-00XX1



P-U78-B4126-00XX1



P-U78-B5126-00XX1



P-U78-B6126-00XX1

AMPHENOL PART NUMBER CONFIGURATION

- U78 - B X 1 2 6 - 0 0 X X 1
- NUMBER OF PORTS
 - 2 = 2X2 (4 PORTS)
 - 4 = 2X4 (8 PORTS)
 - 5 = 2X5 (10 PORTS)
 - 6 = 2X6 (12 PORTS)
 - PACKAGING
 - 1 = TRAY
 - CAGE PLATING
 - 1 = TIN PLATING
 - 2 = NICKEL PLATING
 - PRESS FIT CONNECTOR PLATING
 - 1 = 30 U" MIN. GOLD ON MATING AREA
150-300 U" TIN/LEAD ON TERMINATION
 - 4 = 15 U" MIN. GOLD ON MATING AREA
150-300 U" TIN/LEAD ON TERMINATION

REVISIONS				
SYM	ZONE	ECN, ERN NO.	DATE	APPRD.
A		PROPOSAL	2005/09/23	
C		PIN # ADDED ON MATING AREA	2006/05/31	
D		UPDATED	NOV05/08	

THIS IS A CAD DRAWING. DO NOT MANUALLY REVISE.

MATERIAL: (RoHS-5 COMPLAINT)

CAGE PRESS FIT (RoHS COMPLIANT):
COPPER ALLOY

PLATING:
SEE AMPHENOL PART NUMBER
CONFIGURATION FOR OPTIONS.

CONNECTOR PRESS FIT (RoHS-5 COMPLIANT):

PLASTIC HOUSING:
HIGH TEMPERATURE RESISTANT NYLON
FLAMMABILITY RATING UL94V-0.

CONTACTS:
PHOSPHOR BRONZE
PLATING OPTION:
SEE AMPHENOL PART NUMBER
CONFIGURATION FOR OPTIONS.

PACKAGING:
TRAY PACKAGING.

TEMPERATURE RANGE:
-40°C TO +85°C



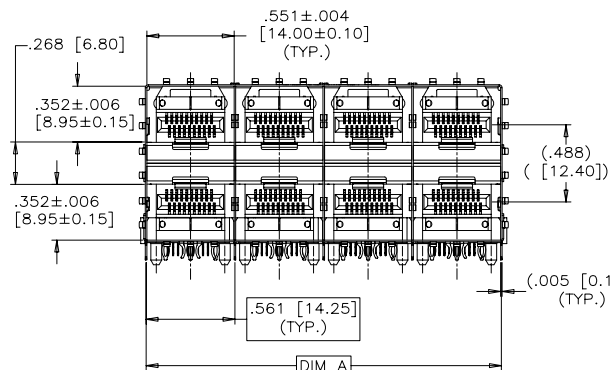
DRAWN		J.SI	DATE	2005/09/23	Amphenol Canada Corp.	
DESIGNED		J.SI	DATE	2005/09/23	TITLE	
CHECKED		X			SFP 2XN STACKED COMBO WITH PRESS FIT PINS (CONNECTOR AND CAGE)	
DWG. APPRD.					DWG	DRAWING NO.
ENG. REL. NO.					A	P-U78-BX126-00XX1
REF.		X				REV. D
DIMENSIONS ARE IN		INCHES [mm]	CODE ID. NO.	03554	SCALE	2:1
					WT.	-----
					SURF.	-----
					SHEET	1 OF 5

THIS DOCUMENT CONTAINS PROPRIETARY INFORMATION AND SUCH INFORMATION MAY NOT BE DISCLOSED TO OTHERS FOR ANY PURPOSE OR USED FOR MANUFACTURING PURPOSES WITHOUT WRITTEN PERMISSION FROM AMPHENOL CANADA CORP.

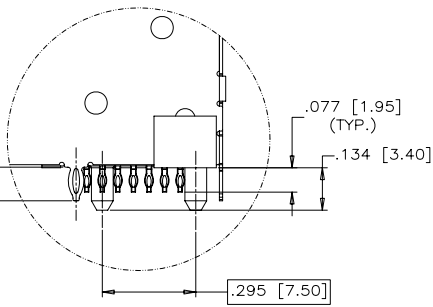
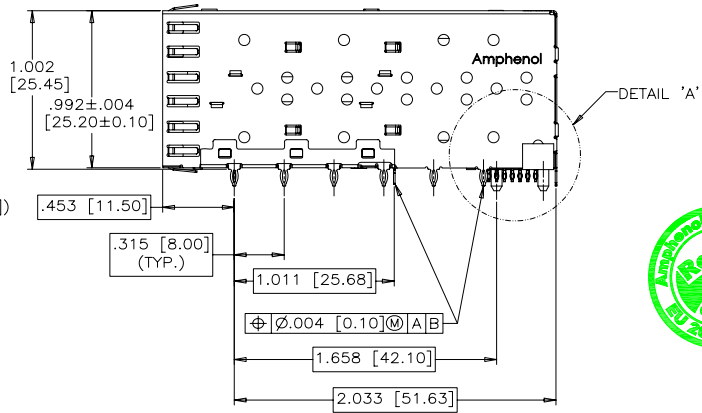
A B C D E F

REVISIONS				
SYM	ZONE	ECN, ERN NO.	DATE	APPRD.
A		PROPOSAL	2005/09/23	
C		PIN # ADDED ON MATING AREA	2006/05/31	
D		UPDATED	NOV05/08	

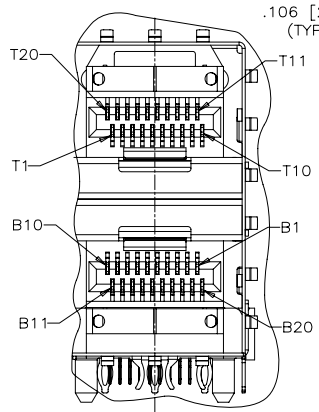
THIS IS A CAD DRAWING. DO NOT MANUALLY REVISE.



(P-U78-B4126-00XX1 SHOWN)

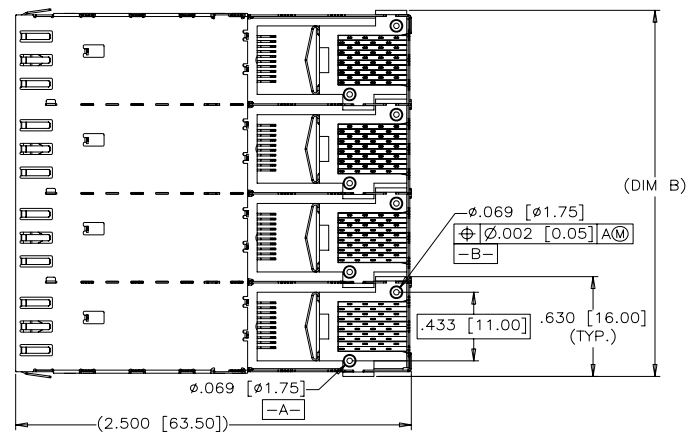


DETAIL 'A'
SCALE 2:1



TYPICAL PIN ASSIGNMENT ON MATING AREA

PART NUMBER	DIM A	DIM B
P-U78-B2126-00XX1	1.122 [28.50]	1.191 [30.25]
P-U78-B4126-00XX1	2.244 [57.00]	2.313 [58.75]
P-U78-B5126-00XX1	2.805 [71.25]	2.874 [73.00]
P-U78-B6126-00XX1	3.366 [85.50]	3.435 [87.25]



(P-U78-B4126-00XX1 SHOWN)

DRAWN J.SI DATE 2005/09/23		Amphenol Canada Corp.	
DESIGNED J.SI DATE 2005/09/23		TITLE	
CHECKED X X		SFP 2XN STACKED COMBO WITH PRESS FIT PINS (CONNECTOR AND CAGE)	
DWG. APPRD.		DWG.	DRAWING NO.
ENG. REL. NO.		A	P-U78-BXN126-00XX1
REF. X		SCALE	1:1
DIMENSIONS ARE IN INCHES [mm] CODE ID. NO. 03554		WT.	-----
		SURF.	-----
		SHEET	2 OF 5

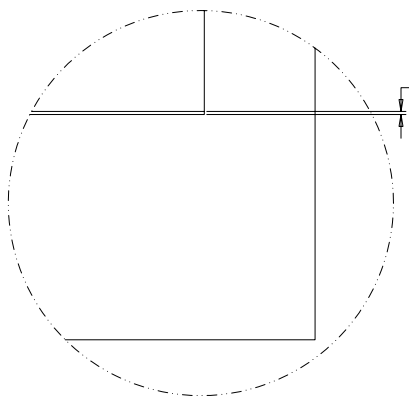
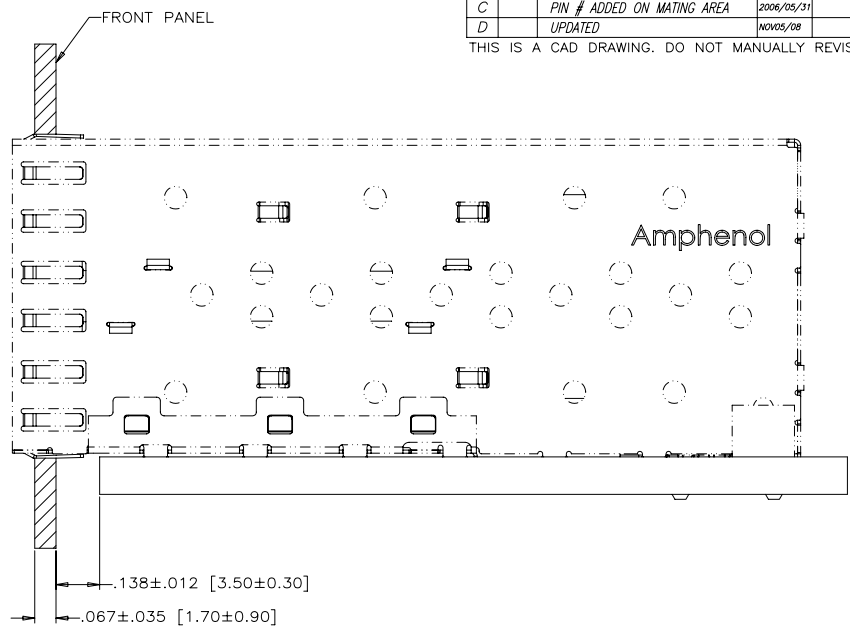
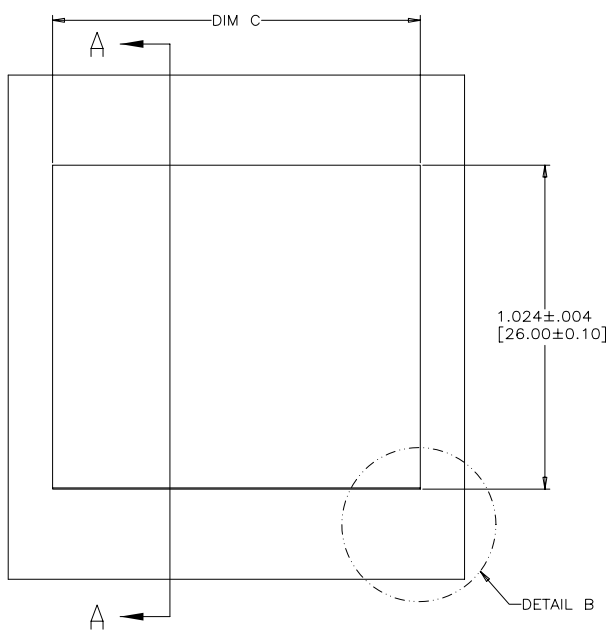
THIS DOCUMENT CONTAINS PROPRIETARY INFORMATION AND SUCH INFORMATION MAY NOT BE DISCLOSED TO OTHERS FOR ANY PURPOSE OR USED FOR MANUFACTURING PURPOSES WITHOUT WRITTEN PERMISSION FROM AMPHENOL CANADA CORP.

A B C D E F

A B C D E F

REVISIONS				
SYM	ZONE	ECN, ERN NO.	DATE	APPRD.
A		PROPOSAL	2005/09/23	
C		PIN # ADDED ON MATING AREA	2006/05/31	
D		UPDATED	NOV05/08	

THIS IS A CAD DRAWING. DO NOT MANUALLY REVISE.



DETAIL B (SCALE 5:1)

PART NUMBER	DIM C
P-U78-B2126-00XX1	1.161 [29.50]
P-U78-B4126-00XX1	2.283 [58.00]
P-U78-B5126-00XX1	2.844 [72.25]
P-U78-B6126-00XX1	3.406 [86.50]



THIS DOCUMENT CONTAINS PROPRIETARY INFORMATION AND SUCH INFORMATION MAY NOT BE DISCLOSED TO OTHERS FOR ANY PURPOSE OR USED FOR MANUFACTURING PURPOSES WITHOUT WRITTEN PERMISSION FROM AMPHENOL CANADA CORP.

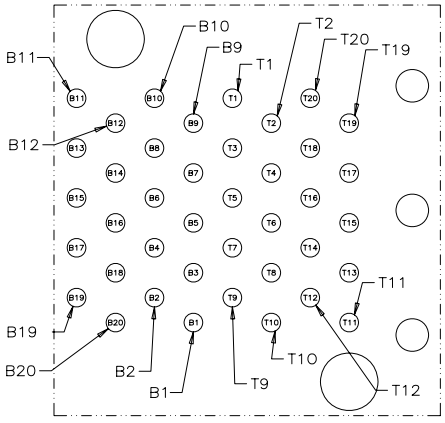
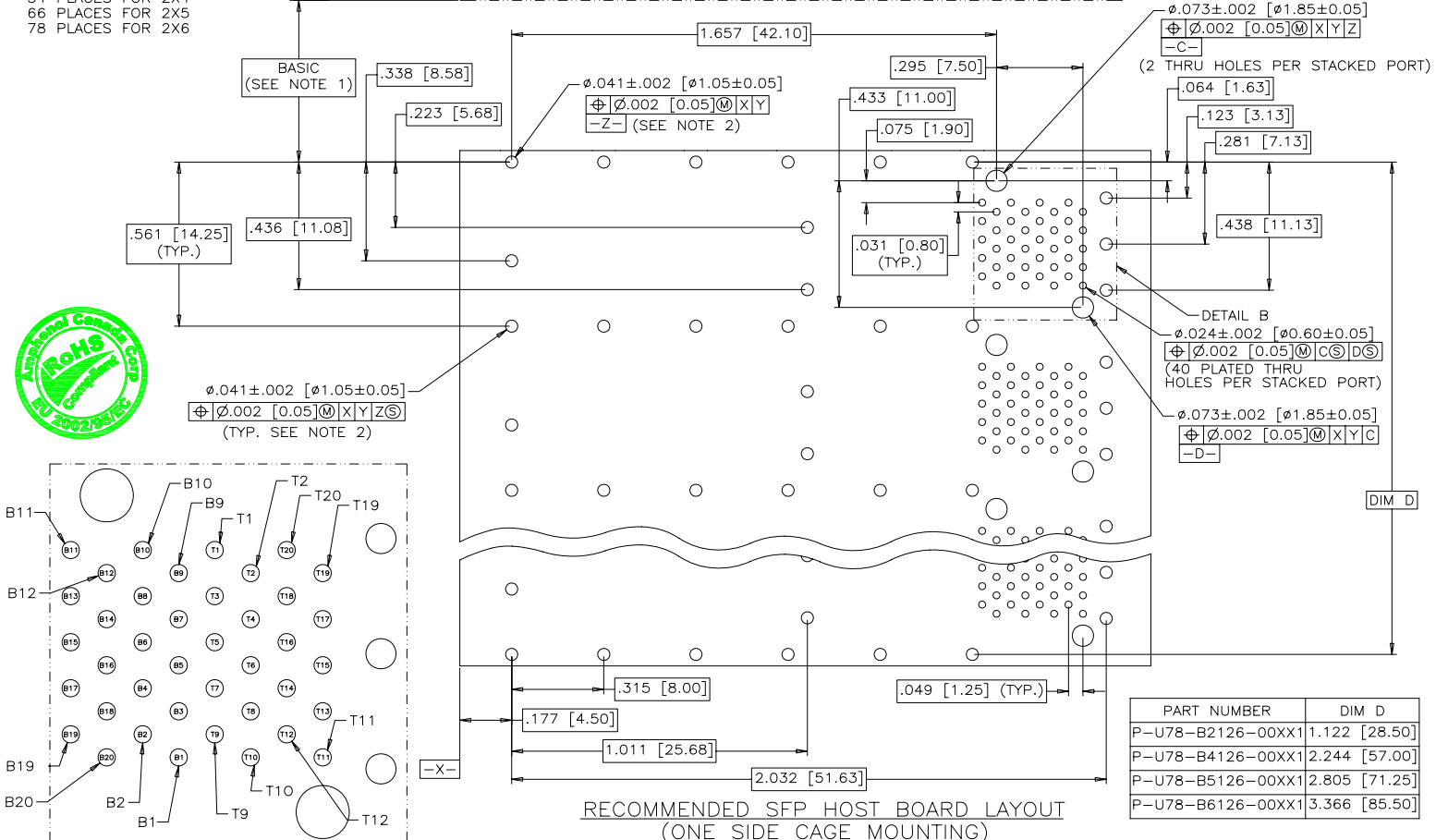
DRAWN	J.SI	DATE	2005/09/23	Amphenol Canada Corp.	
DESIGNED	J.SI	DATE	2005/09/23	TITLE	
CHECKED	X			SFP 2XN STACKED COMBO WITH PRESS FIT PINS (CONNECTOR AND CAGE)	
DWG. APPRD.				DWG	DRAWING NO.
ENG. REL. NO.				A	P-U78-BX126-00XX1
REF.	X			SCALE	2:1
DIMENSIONS ARE IN INCHES [mm]		CODE ID. NO.	03554	WT.	-----
				SURF.	-----
				SHEET	3 OF 5

A B C D E F

- NOTES:
- DATUM AND BASIC DIMENTIONS ESTABLISHED BY CUSTOMER
 - HOLES ARE CHASSIS GROUND.
30 PLACES FOR 2X2
54 PLACES FOR 2X4
66 PLACES FOR 2X5
78 PLACES FOR 2X6

REVISIONS				
SYM	ZONE	ECN, ERN NO.	DATE	APPRD.
C		PIN # ADDED ON MATING AREA	2006/05/31	
D		UPDATED	NOV05/08	

THIS IS A CAD DRAWING. DO NOT MANUALLY REVISE.



DETAIL B (SCALE 5:1)
(TYP FOR EACH PORT)

RECOMMENDED SFP HOST BOARD LAYOUT
(ONE SIDE CAGE MOUNTING)

PART NUMBER	DIM D
P-U78-B2126-00XX1	1.122 [28.50]
P-U78-B4126-00XX1	2.244 [57.00]
P-U78-B5126-00XX1	2.805 [71.25]
P-U78-B6126-00XX1	3.366 [85.50]

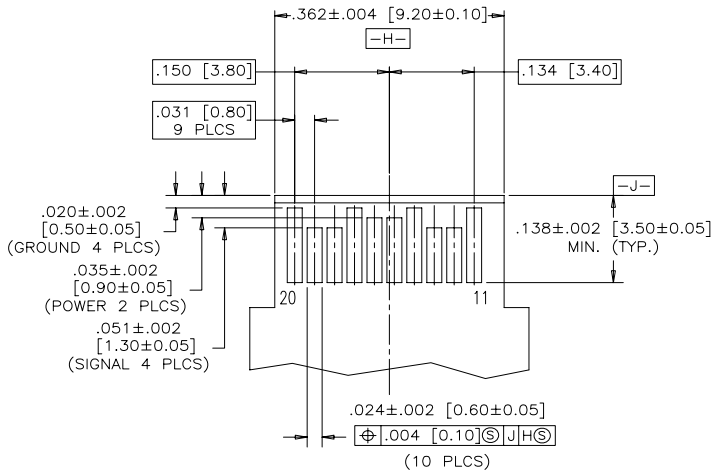
THIS DOCUMENT CONTAINS PROPRIETARY INFORMATION AND SUCH INFORMATION MAY NOT BE DISCLOSED TO OTHERS FOR ANY PURPOSE OR USED FOR MANUFACTURING PURPOSES WITHOUT WRITTEN PERMISSION FROM AMPHENOL CANADA CORP.

DRAWN	J.SI	DATE	2005/09/23	Amphenol Canada Corp.	
DESIGNED	J.SI	2005/09/23			
CHECKED	X			TITLE SFP 2XN STACKED COMBO WITH PRESS FIT PINS (CONNECTOR AND CAGE)	
DWG. APPRD.					
ENG. REL. NO.		DWG	A	DRAWING NO.	P-U78-BX126-00XX1
REF.	X	SCALE	2:1	REV.	D
DIMENSIONS ARE IN INCHES [mm]		CODE ID. NO.	03554	WT.	-----
				SURF.	-----
				SHEET 4 OF 5	

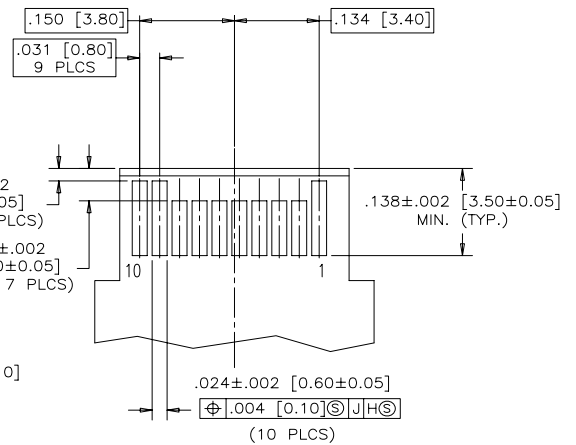
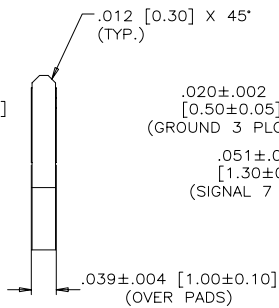
A B C D E F

REVISIONS				
SYM	ZONE	ECN, ERN NO.	DATE	APPRD.
A		PROPOSAL	2005/09/23	
C		PIN # ADDED ON MATING AREA	2006/05/31	
D		UPDATED	NOV05/08	

THIS IS A CAD DRAWING. DO NOT MANUALLY REVISE.



TOP VIEW OF BOARD



BOTTOM VIEW OF BOARD

REFERENCED LAYOUT DETAIL FOR
MATING SFP TRANSCEIVER PCB



THIS DOCUMENT CONTAINS PROPRIETARY INFORMATION AND SUCH INFORMATION MAY NOT BE DISCLOSED TO OTHERS FOR ANY PURPOSE OR USED FOR MANUFACTURING PURPOSES WITHOUT WRITTEN PERMISSION FROM AMPHENOL CANADA CORP.

DRAWN	J.SI	DATE	2005/09/23	Amphenol Canada Corp.	
DESIGNED	J.SI	DATE	2005/09/23	TITLE	
CHECKED	X			2XN SFP STACKED COMBO WITH PRESS FIT PINS (CONNECTOR AND CAGE)	
DWG. APPRD.				DWG	DRAWING NO.
ENG. REL. NO.				A	P-U78-BX126-00XX1
REF.	X				REV.
DIMENSIONS ARE IN	INCHES [mm]	CODE ID. NO.	03554	SCALE	2:1
				WT.	-----
				SURF.	-----
					SHEET 5 OF 5