

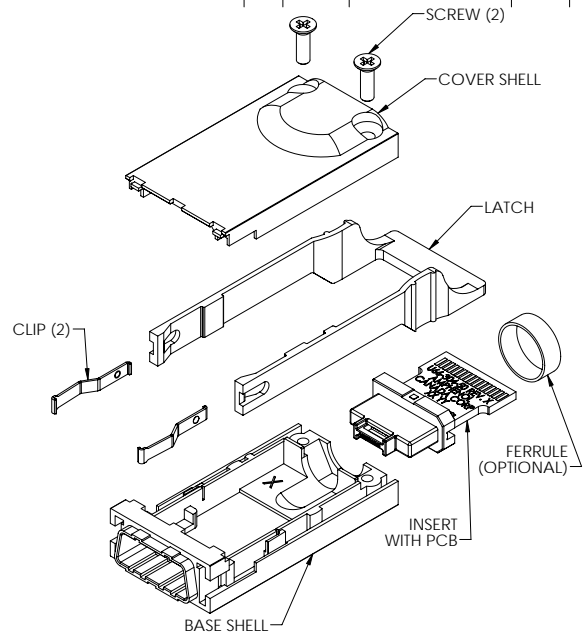
AMPHENOL PART NUMBER CONFIGURATION
 INFINITY _____ UE66 - X 04 - X X X 0
 ROHS PLUG KIT _____
 PCB OPTIONS _____
 C = NO INSERT AND NO PCB
 E = 1.27µm GOLD NO PCB
 N = 1.27µm GOLD WITH PCB
 CABLE TYPE _____
 04 = 4X
 CABLE SIZE _____
 1 = 24 AWG WIRE
 2 = 26/28 AWG WIRE (SEE NOTE 2)
 KEYING _____
 0 = ALL KEY SLOTS (STANDARD)
 MOUNTING STYLE _____
 1 = LANYARD LATCH
 24 AWG CABLE ONLY
 3 = LOW PROFILE LANYARD LATCH
 26/28 AWG CABLE ONLY (SEE NOTE 2)
 5 = LANYARD LATCH - NO LOGO
 24 AWG CABLE ONLY
 FERRULE _____
 0 = NO FERRULE
 1 = WITH FERRULE

MATERIAL:
 PLASTIC INSERT:
 HIGH TEMPERATURE RESISTANT NYLON FLAMMABILITY RATING UL94V-0
 CONTACTS:
 COPPER ALLOY
 BACK SHELL:
 DIE CASTING

PLATING:
 CONTACTS:
 1.27µm [50µ"] MIN GOLD OVER 1.27µm [50µ"] MIN NICKEL ON CONTACT SURFACES. GOLD FLASH OVER 1.27µm [50µ"] MIN NICKEL ON CONTACT TAILS.
 BACK SHELL:
 2.54µm [150µ"] MIN NICKEL

TEMPERATURE RANGE: -40C TO +85C

REVISIONS				
REV	ECN/ROUTING NO	DESCRIPTION	DATE	APPROVED
A		PROPOSAL	2005/10/25	A.G.
B		PROPOSAL	JUNE06/07	A.G.



NOTES:

1. DIMENSION FOR LOW PROFILE (26/28 AWG) SHELL IS 12.00 mm [0.472"] HIGH.
2. REQUIREMENT TO BUILD UP 28 AWG WIRE.



UNLESS OTHERWISE SPECIFIED DIMENSIONS ARE IN MILLIMETERS		APPROVALS		DATE		Amphenol Canada Corp.	
DECIMALS	ANGLES	DESIGN	DATE	FILE			
.X.X ± 0.15	± 1°	M. LONG	2005/10/24				
X.XX ± 0.10		DESIGN	2005/10/24				
MATERIAL AND FINISH	CA APP'D	CHECKED	J.SI	2005/10/25	INFINIBAND 4X PLUG KIT, LANYARD LATCH STYLE, RoHS		
N/A		E APP'D					
REF.				A3	DWG. NO.	P-UE66-X04-XXX0	REV. B
CODE ENGINE NO.	03554	DWG. APPROVAL	A.GREEN	2005/10/25	SCALE	1 = 1	PROJECT
							SHEET 1 OF 1