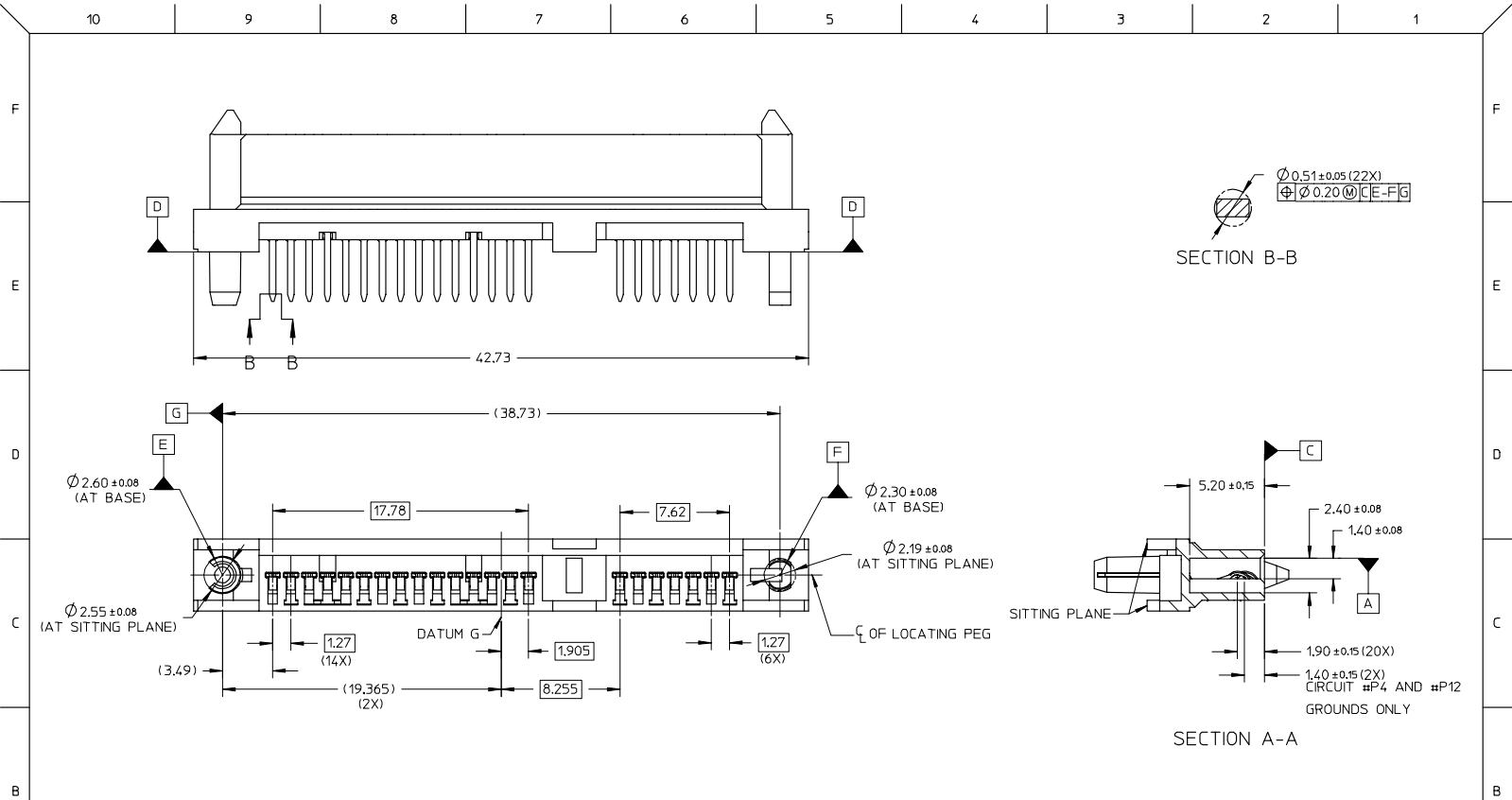
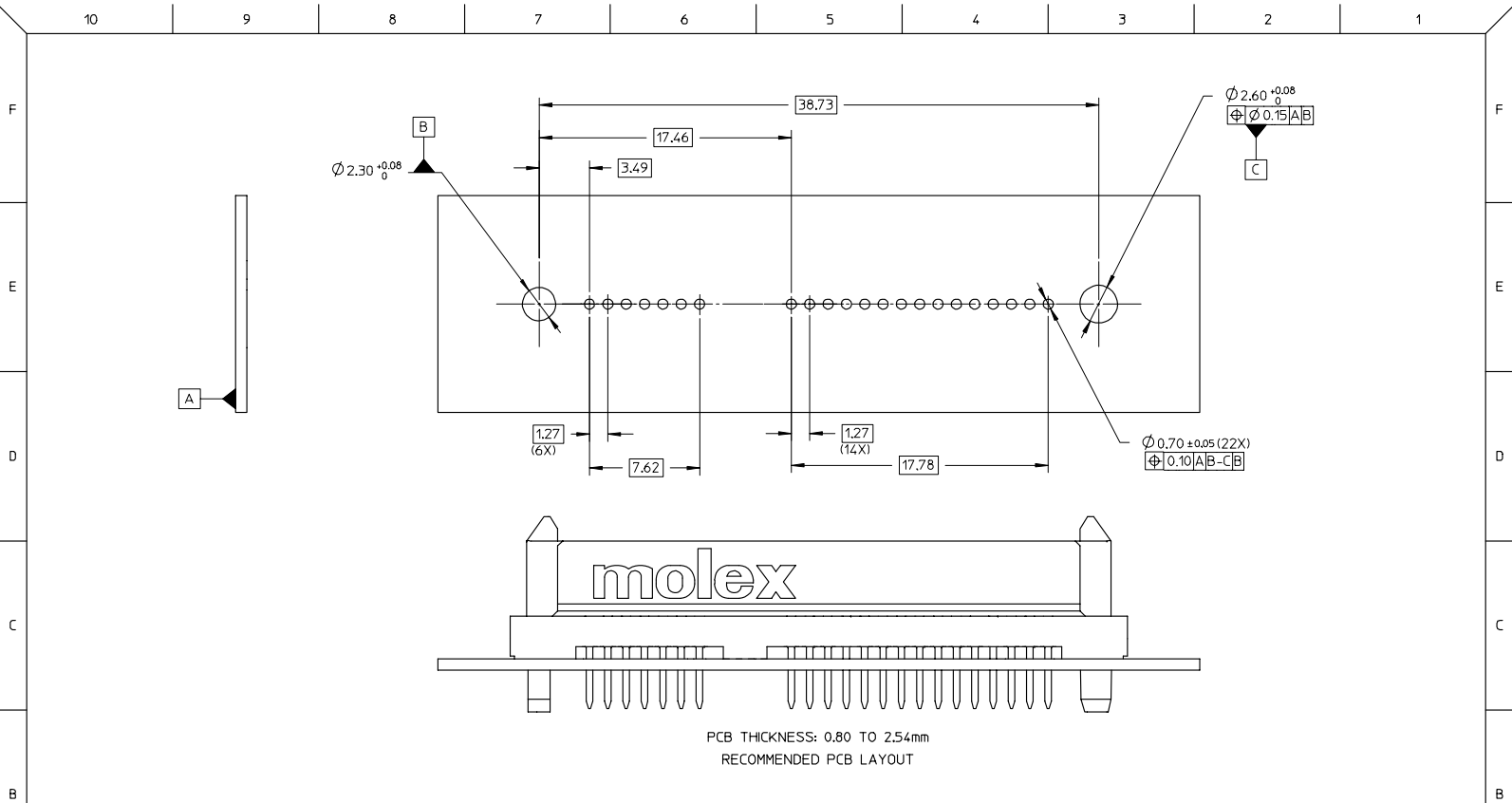


- NOTES:
- MATERIAL: LIQUID CRYSTALLINE POLYMER (LCP), GLASS FILLED UL 94V-0, COLOR: BLACK  
TERMINAL: COPPER ALLOY
  - PLATING:  
CONTACT: 0.76µm MIN. SELECTIVE GOLD OVER 1.27µm MIN. NICKEL UNDERPLATE  
SOLDERTAIL: 2.54µm MIN. TIN OVER 1.27µm MIN. NICKEL UNDERPLATE
  - MOLEX LOGO LOCATED APPROXIMATELY AS SHOWN
  - MAXIMUM WARPAGE OF 0.13 mm OVER THE LENGTH OF THE CONNECTOR IN ANY DIRECTION BEFORE AND AFTER EXPOSURE TO MAX. 260°C FOR 10 SECONDS
  - PRODUCT SPECIFICATION: PS-87779-011 APPLIES
  - PACKAGING: 30 CONNECTORS PER TRAY
  - MATES WITH SATA PLUG SERIES: 87679, 87703, 87799.

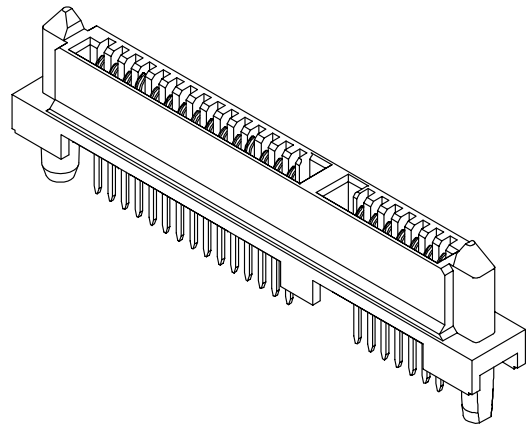
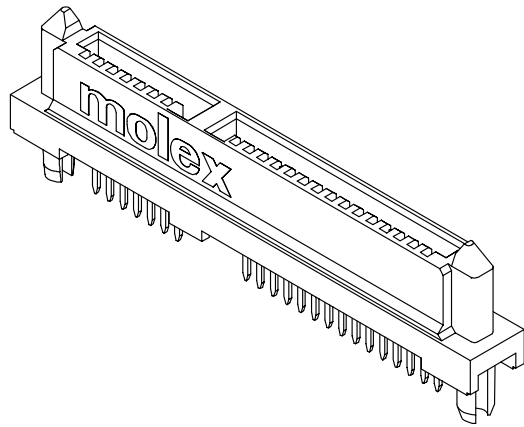
OBS. TIN/LEAD P/N EC NO. S2006-0984 DRAWING NO. 2006/04/04 CHKD: GUSTAN APPR: KCLING 2006/04/04	QUALITY SYMBOLS ▽=0 ▽=0	GENERAL TOLERANCES (UNLESS SPECIFIED)		DIMENSION STYLE MM ONLY		SCALE NTS	DESIGN UNITS METRIC	THIRD ANGLE PROJECTION
		4 PLACES ± --- ± ---	DRAWN BY DKOH	DATE 2003/11/24	TITLE SERIAL ATA, BACKPLANE STD HEIGHT, RECEPT., T/H MOLEX INCORPORATED MATERIAL NO. 87779-1001 DOCUMENT NO. SD-87779-020 SHEET NO. 1 OF 4			
		3 PLACES ± --- ± ---	CHECKED BY KCLING	DATE 2003/12/03				
		2 PLACES ± 0.20 ± ---	APPROVED BY SKTOH	DATE 2003/12/03				
1 PLACE ± --- ± ---	ANGULAR ± 3 °							
DRAFT WHERE APPLICABLE MUST REMAIN WITHIN DIMENSIONS		SIZE A3		THIS DRAWING CONTAINS INFORMATION THAT IS PROPRIETARY TO MOLEX INCORPORATED AND SHOULD NOT BE USED WITHOUT WRITTEN PERMISSION				



OBS. TIN/LEAD P/N EC NO. S2006-0984 DRAWING NO. 2006/04/04 CHKD: GGTAN APPR: KCLING 2006/04/04	QUALITY SYMBOLS ▽=0 ▽=0	GENERAL TOLERANCES (UNLESS SPECIFIED)		DIMENSION STYLE MM ONLY		SCALE NTS	DESIGN UNITS METRIC	THIRD ANGLE PROJECTION	
		4 PLACES ± --- ± ---		DRAWN BY DKOH	DATE 2003/11/24	TITLE SERIAL ATA, BACKPLANE STD HEIGHT, RECEPT., T/H			
		3 PLACES ± --- ± ---		CHECKED BY KCLING	DATE 2003/12/03	MOLEX INCORPORATED			
		2 PLACES ± 0.20 ± ---		APPROVED BY SKTOH	DATE 2003/12/03				
1 PLACE ± --- ± ---		ANGULAR ± 3 °		MATERIAL NO. 87779-1001	DOCUMENT NO. SD-87779-020	SHEET NO. 2 OF 4			
REV C	DESCRIPTION	DRAFT WHERE APPLICABLE MUST REMAIN WITHIN DIMENSIONS		SIZE A3 THIS DRAWING CONTAINS INFORMATION THAT IS PROPRIETARY TO MOLEX INCORPORATED AND SHOULD NOT BE USED WITHOUT WRITTEN PERMISSION					



OBS: TIN/LEAD P/N EC NO: S2006-0984 DRAWING NO: 2006/04/04 CHECKED BY: CHIKOYU-GITAN APPROV: KCLING 2006/04/04	QUALITY SYMBOLS	GENERAL TOLERANCES (UNLESS SPECIFIED)	DIMENSION STYLE MM ONLY	SCALE NTS	DESIGN UNITS METRIC	THIRD ANGLE PROJECTION																		
	$\nabla=0$ $\nabla=0$	<table border="1"> <tr> <th></th> <th>mm</th> <th>INCH</th> </tr> <tr> <td>4 PLACES</td> <td>± 0.15</td> <td>± 0.005</td> </tr> <tr> <td>3 PLACES</td> <td>± 0.20</td> <td>± 0.008</td> </tr> <tr> <td>2 PLACES</td> <td>± 0.25</td> <td>± 0.010</td> </tr> <tr> <td>1 PLACE</td> <td>± 0.30</td> <td>± 0.012</td> </tr> <tr> <td colspan="3">ANGULAR ± 3°</td> </tr> </table>		mm	INCH	4 PLACES	± 0.15	± 0.005	3 PLACES	± 0.20	± 0.008	2 PLACES	± 0.25	± 0.010	1 PLACE	± 0.30	± 0.012	ANGULAR ± 3°			DRAWN BY: DKOH DATE: 2003/11/24 CHECKED BY: KCLING DATE: 2003/12/03 APPROVED BY: SKTOH DATE: 2003/12/03	TITLE	SERIAL ATA, BACKPLANE STD HEIGHT, RECEPT., T/H	
		mm	INCH																					
	4 PLACES	± 0.15	± 0.005																					
3 PLACES	± 0.20	± 0.008																						
2 PLACES	± 0.25	± 0.010																						
1 PLACE	± 0.30	± 0.012																						
ANGULAR ± 3°																								
DESCRIPTION	DRAFT WHERE APPLICABLE MUST REMAIN WITHIN DIMENSIONS	MATERIAL NO. 87779-1001	MATERIAL NO.	MOLEX INCORPORATED	DOCUMENT NO. SD-87779-020	SHEET NO. 3 OF 4																		
REV		SIZE A3	THIS DRAWING CONTAINS INFORMATION THAT IS PROPRIETARY TO MOLEX INCORPORATED AND SHOULD NOT BE USED WITHOUT WRITTEN PERMISSION																					



OBS. TIN/LEAD P/N EC NO. S2006-0984 DRAWING NO. 2006/04/04 CHKD: GGTAN APPR: KCLING 2006/04/04	QUALITY SYMBOLS ▽=0 ▽=0	GENERAL TOLERANCES (UNLESS SPECIFIED)		DIMENSION STYLE MM ONLY		SCALE NTS	DESIGN UNITS METRIC	THIRD ANGLE PROJECTION	
			mm	INCH	DRAWN BY DKOH	DATE 2003/11/24	TITLE SERIAL ATA, BACKPLANE STD HEIGHT, RECEPT., T/H		
		4 PLACES	±---	±---	CHECKED BY KCLING	DATE 2003/12/03	MOLEX INCORPORATED		
		3 PLACES	±---	±---	APPROVED BY SKTOH	DATE 2003/12/03	MATERIAL NO. 87779-1001		
			2 PLACES	±0.20	±---	DOCUMENT NO. SD-87779-020		SHEET NO. 4 OF 4	
			1 PLACE	±---	±---	THIS DRAWING CONTAINS INFORMATION THAT IS PROPRIETARY TO MOLEX INCORPORATED AND SHOULD NOT BE USED WITHOUT WRITTEN PERMISSION			
			ANGULAR		± 3 °				
		DRAFT WHERE APPLICABLE MUST REMAIN WITHIN DIMENSIONS		SIZE A3					