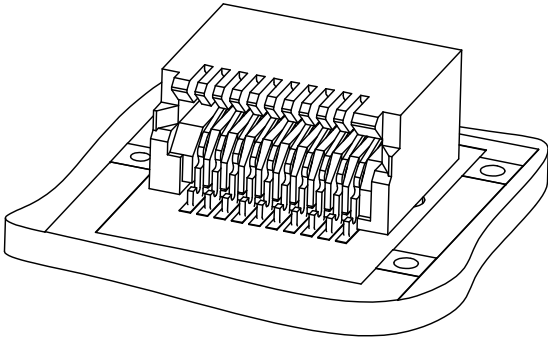


SALES ASSEMBLY DRAWINGS FOR SMALL FORM-FACTOR AND Z AXIS PLUGGABLE CONNECTORS

CKT SIZE	PART NUMBER	TOOLED	DESCRIPTION	'A'	'B'	'C'	'D'	MULTI-SOURCE AGREEMENT	CONNECTOR DRAWING	CIRCUIT BOARD DRAWING
20	74441-0001	YES	PLATED PER NOTE 2	1.10/.043	11.00/.433	9.40/.370	9.60/.378	SFP	PAGE 2	PAGE 3
	74441-0004	NO*	PLATED PER NOTE 2	0.76/.030						
	74441-0010	YES	PLATED PER NOTE 3	1.10/.043						
	74441-0014	NO*	PLATED PER NOTE 3	0.76/.030						
	74441-0021	YES	PLATED PER NOTE 4	1.10/.043						
	74441-0031	YES	PLATED PER NOTE 5	1.10/.043						
30	74441-0041	YES	PLATED PER NOTE 6	1.10/.043	15.00/.591	13.40/.528	13.60/.535	XFP	PAGE 2	PAGE 4
	74441-0007	YES	PLATED PER NOTE 2	1.10/.043						
	74441-0017	YES	PLATED PER NOTE 3	1.10/.043						
40	74441-0027	YES	PLATED PER NOTE 4	1.10/.043	19.00/.748	17.40/.685	17.60/.693		PAGE 2	PAGE 5
	74441-0005	YES	PLATED PER NOTE 2	1.10/.043						
	74441-0015	YES	PLATED PER NOTE 3	1.10/.043						
50	74441-0025	YES	PLATED PER NOTE 4	1.10/.043	23.00/.906	21.40/.843	21.60/.850		PAGE 2	PAGE 6
	74441-0008	YES	PLATED PER NOTE 2	1.10/.043						
	74441-0018	YES	PLATED PER NOTE 3	1.10/.043						
	74441-0028	YES	PLATED PER NOTE 4	1.10/.043						
	74441-0038	YES	PLATED PER NOTE 5	1.10/.043						
70	74441-0003	YES	PLATED PER NOTE 2	1.10/.043	31.00/1.220	29.40/1.157	29.60/1.165	XENPAK XPAK X2	PAGE 2	PAGE 7
	74441-0013	YES	PLATED PER NOTE 3	1.10/.043						
	74441-0023	YES	PLATED PER NOTE 4	1.10/.043						
	74441-0033	YES	PLATED PER NOTE 5	1.10/.043						

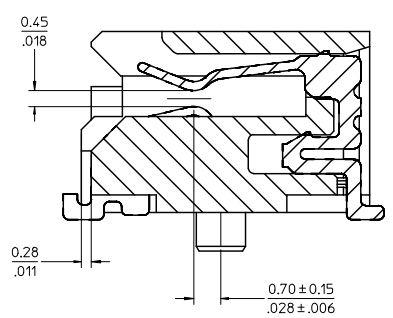
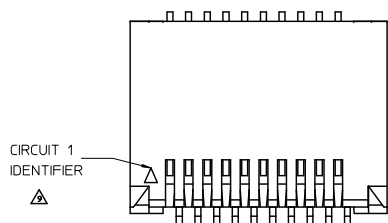
NOTES

- MATERIAL:  
HOUSING - HIGH TEMPERATURE THERMOPLASTIC GLASS FILLED, UL 94V-0, BLACK  
TERMINALS - COPPER ALLOY
- PLATING:  
CONTACT AREA - 0.38 μm MIN GOLD OVER 2.54 μm MIN NICKEL  
SOLDER FOOT AREA - 2.54 - 5.09 μm TIN OVER 2.54 μm MIN NICKEL.
- PLATING:  
CONTACT AREA - 0.76 μm MIN GOLD OVER 2.54 μm NICKEL  
SOLDER AREA - 2.54 - 5.09 μm TIN OVER 2.54 μm MIN NICKEL
- PLATING:  
CONTACT AREA - 0.76 μm MIN GOLD OVER 2.54 μm NICKEL; LUBRICATED  
SOLDER AREA: GOLD FLASH OVER 2.54 μm MIN NICKEL.
- PLATING:  
CONTACT AREA - 0.76 μm MIN GOLD OVER 2.54 μm NICKEL,  
SOLDER AREA: GOLD FLASH OVER 2.54 μm MIN NICKEL.
- PLATING:  
CONTACT AREA - 0.38 μm MIN GOLD OVER 2.54 μm NICKEL,  
SOLDER AREA: GOLD FLASH OVER 2.54 μm MIN NICKEL.
- TERMINAL SOLDER FEET TO BE COPLANAR WITHIN 0.10/.004 FOR 20, 30 AND 40 CIRCUIT CONNECTORS  
TERMINAL SOLDER FEET TO BE COPLANAR WITHIN 0.15/.006 FOR 70 CIRCUIT CONNECTOR
- \* CONTACT PLANT FOR MORE INFORMATION
- DATE CODE: 4 DIGIT (3 DIGIT DATE, 1 DIGIT YEAR)
- CIRCUIT 1 IDENTIFIER LOCATED ON ALL PART NUMBERS

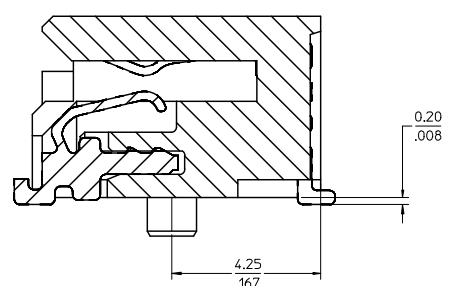
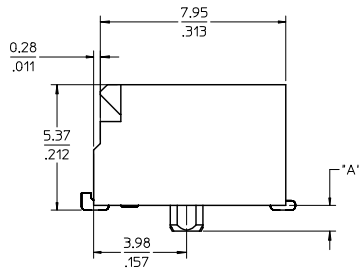
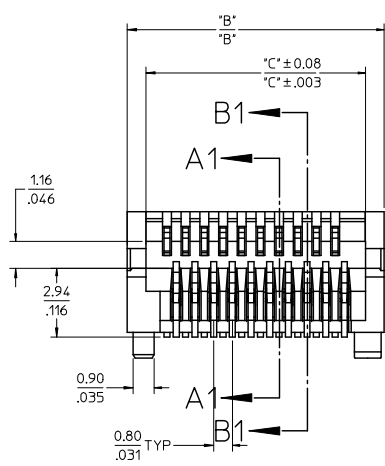


ADD -0041 EC NO: UCP2009-1455 DRWN:SBARRA 2009/01/15 CHKD:SMART 2009/01/15 APPR:SMILLER 2009/01/16	QUALITY SYMBOLS	GENERAL TOLERANCES (UNLESS SPECIFIED)	DIMENSION STYLE	SCALE	DESIGN UNITS	THIRD ANGLE PROJECTION
	▽=0 ▽=0	4 PLACES ± --- ± --- 3 PLACES ± --- ± --- 2 PLACES ± 0.13 ± .005 1 PLACE ± 0.25 ± .010 ANGULAR ± 1/2°	MM/IN	1:1	METRIC	
			DRAWN BY	DATE	TITLE	
			HAVERY	00/04/06	SALES ASSEMBLY Z AXIS PLUGGABLE PCB CONNECTOR	
			CHECKED BY	DATE		
			KSWEENEY	00/04/06		
			APPROVED BY	DATE		
			MBANAKIS	00/04/06		
		DRAFT WHERE APPLICABLE MUST REMAIN WITHIN DIMENSIONS	MATERIAL NO.	DOCUMENT NO.		SHEET NO.
			SEE TABLE	SD-74441-001		1 OF 7
			SIZE	THIS DRAWING CONTAINS INFORMATION THAT IS PROPRIETARY TO MOLEX INCORPORATED AND SHOULD NOT BE USED WITHOUT WRITTEN PERMISSION		

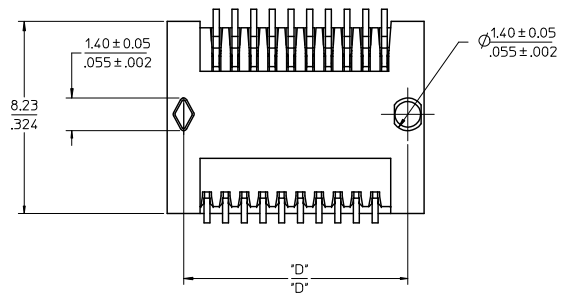
13 12 11 10 9 8 7 6 5 4 3 2 1



SECTION A1-A1  
SCALE 12:1



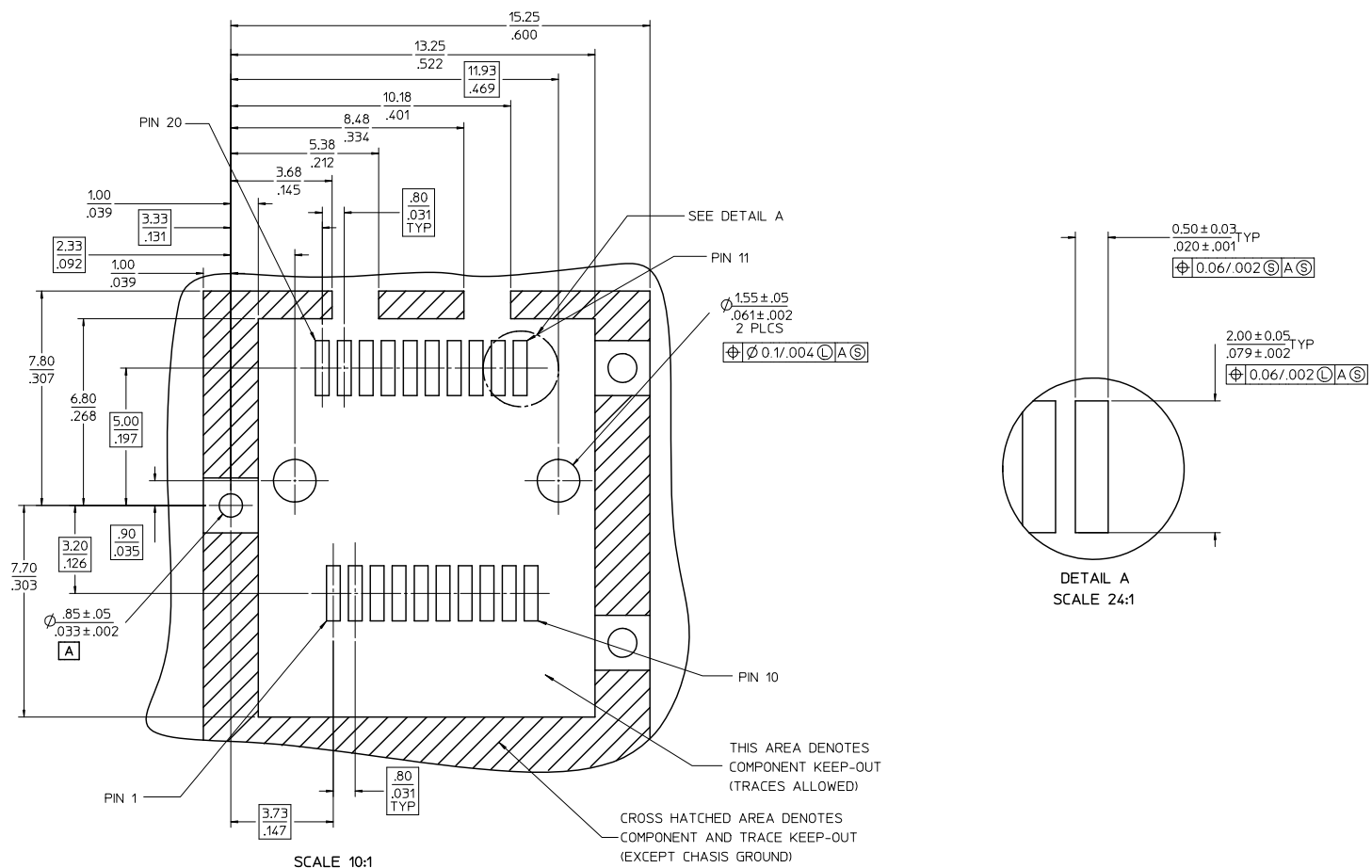
SECTION B1-B1  
SCALE 12:1



SEE SHEET 1 EIC NO. LEP2009-1655 2009/01/15 DRWNS BARBA 2009/01/15 CHK:CSMART 2009/01/16 APPR:SMILLER 2009/01/16	QUALITY SYMBOLS ▽=0 ▽=0	GENERAL TOLERANCES (UNLESS SPECIFIED)		DIMENSION STYLE MM/IN		SCALE 6:1	DESIGN UNITS METRIC	THIRD ANGLE PROJECTION	
		4 PLACES ± --- ± --- 3 PLACES ± --- ± --- 2 PLACES ± 0.13 ± .005 1 PLACE ± 0.25 ± .010	mm INCH	DRAWN BY HAVERY DATE 00/04/06	DATE 00/04/06	TITLE SALES ASSEMBLY Z AXIS PLUGGABLE PCB CONNECTOR			
		ANGULAR ± 1/2°	APPROVED BY MBANAKIS DATE 00/04/06	MOLEX INCORPORATED					
		DRAFT WHERE APPLICABLE MUST REMAIN WITHIN DIMENSIONS	MATERIAL NO. SEE TABLE	DOCUMENT NO. SD-74441-001	SHEET NO. 2 OF 7				

12 11 10 9 8 7 6 5 4 3 2 1

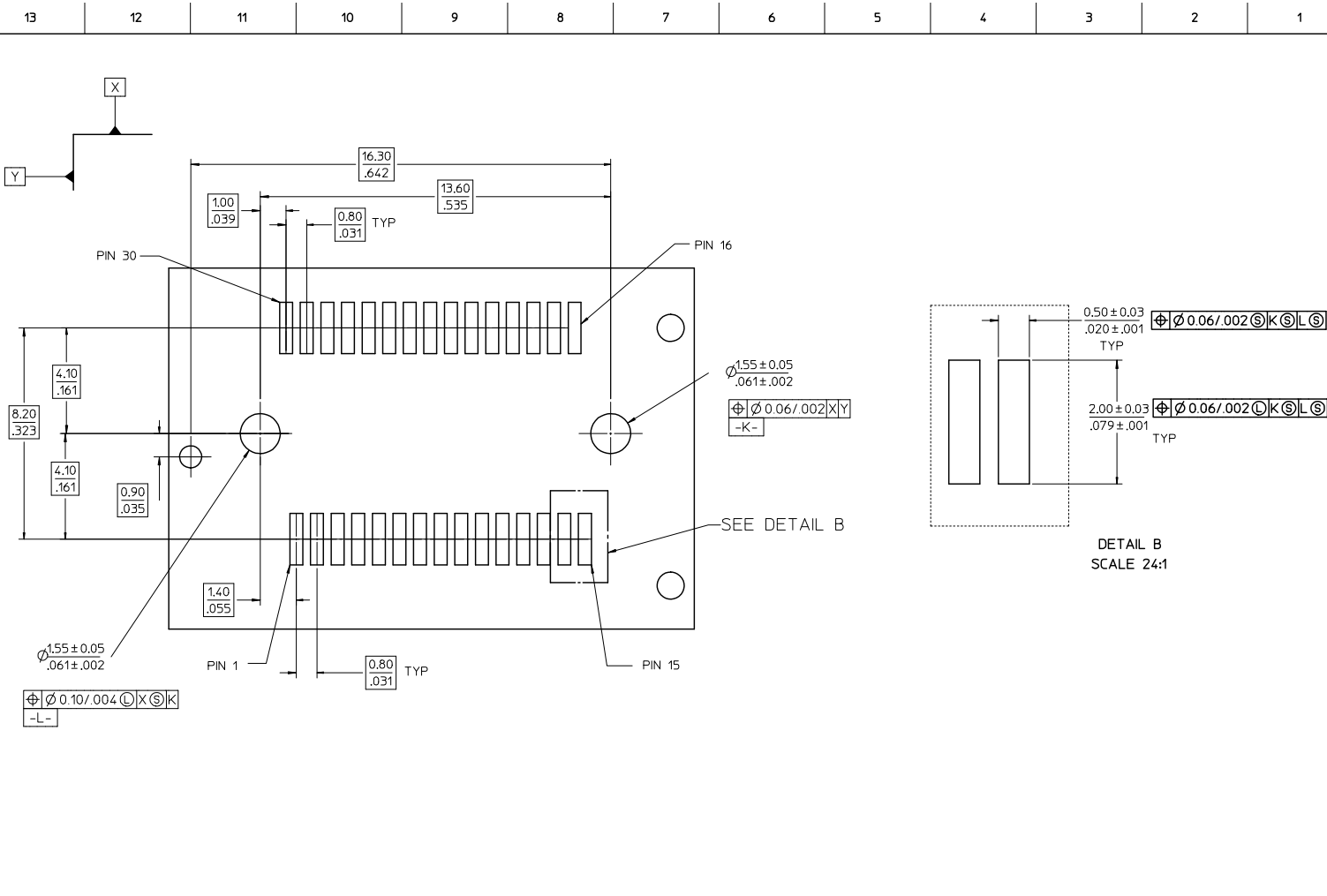
13 12 11 10 9 8 7 6 5 4 3 2 1



20 CIRCUIT MOTHER BOARD  
RECOMMENDED PCB LAYOUT

SEE SHEET 1 EC NO. UCP2009-1455 2009/01/15 DRIVENS BARBA 2009/01/15 CHK:CSMART 2009/01/15 APPR:SHILLER 2009/01/16	QUALITY SYMBOLS ▽=0 ▽=0	GENERAL TOLERANCES (UNLESS SPECIFIED)		DIMENSION STYLE MM/IN		SCALE 8:1	DESIGN UNITS METRIC	THIRD ANGLE PROJECTION	
		4 PLACES ± --- ± ---	mm	INCH	DRAWN BY HAVERY	DATE 00/04/06	TITLE SALES ASSEMBLY Z AXIS PLUGGABLE PCB CONNECTOR		
		3 PLACES ± --- ± ---			CHECKED BY KSWEENEY	DATE 00/04/06	MOLEX INCORPORATED		
		2 PLACES ± 0.13 ± .005			APPROVED BY MBANAKIS	DATE 00/04/06	SD-74441-001		
		1 PLACE ± 0.25 ± .010			DRAFT WHERE APPLICABLE MUST REMAIN WITHIN DIMENSIONS		SEE TABLE	3 OF 7	
ANGULAR ±1/2°				MATERIAL NO.		DOCUMENT NO.		SHEET NO.	
				SIZE		THIS DRAWING CONTAINS INFORMATION THAT IS PROPRIETARY TO MOLEX INCORPORATED AND SHOULD NOT BE USED WITHOUT WRITTEN PERMISSION			

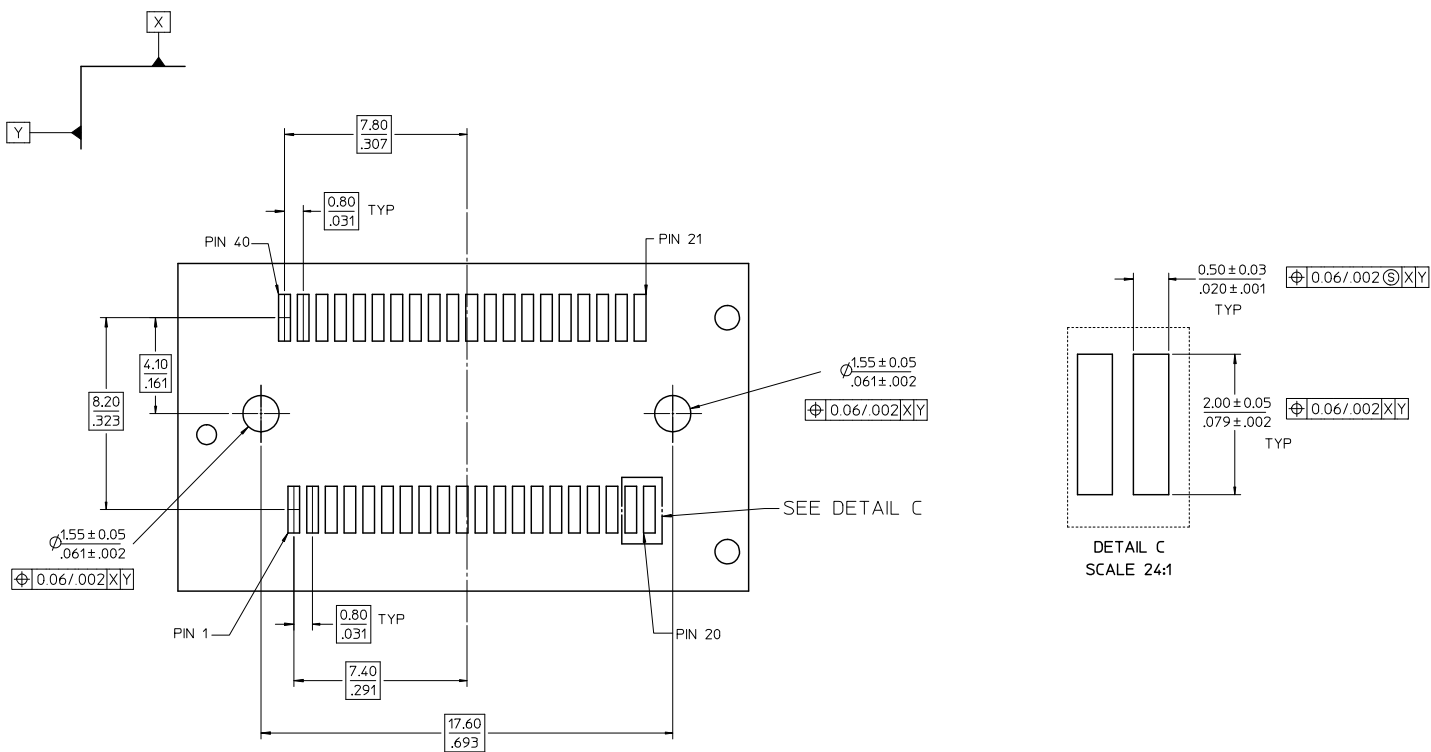
12 11 10 9 8 7 6 5 4 3 2 1



30 CIRCUIT MOTHER BOARD  
RECOMMENDED PCB LAYOUT

SEE SHEET 1 EC NO: UEP2009-1455 DRAWN BY: DRWINISBARRA CHKD BY: SMART APPR: SMILLER 2009/01/15 2009/01/15 2009/01/16	QUALITY SYMBOLS ▽=0 ▽=0	GENERAL TOLERANCES (UNLESS SPECIFIED)		DIMENSION STYLE		SCALE	DESIGN UNITS	THIRD ANGLE PROJECTION
		4 PLACES ±--- ±--- 3 PLACES ±--- ±--- 2 PLACES ±0.13 ±.005 1 PLACE ±0.25 ±.010 ANGULAR ±1/2°		MM/IN		6:1	METRIC	☉
DRAFT WHERE APPLICABLE MUST REMAIN WITHIN DIMENSIONS	SIZE C	DRAWN BY		DATE		TITLE		
		HIVERY		00/04/06		SALES ASSEMBLY Z AXIS PLUGGABLE PCB CONNECTOR		
		CHECKED BY		DATE		MOLEX INCORPORATED SD-74441-001		
		KSWEENEY		00/04/06				
		APPROVED BY		DATE		SHEET NO.		
		MBANAKIS		00/04/06		4 OF 7		
		MATERIAL NO.		DOCUMENT NO.		THIS DRAWING CONTAINS INFORMATION THAT IS PROPRIETARY TO MOLEX INCORPORATED AND SHOULD NOT BE USED WITHOUT WRITTEN PERMISSION		

13 12 11 10 9 8 7 6 5 4 3 2 1

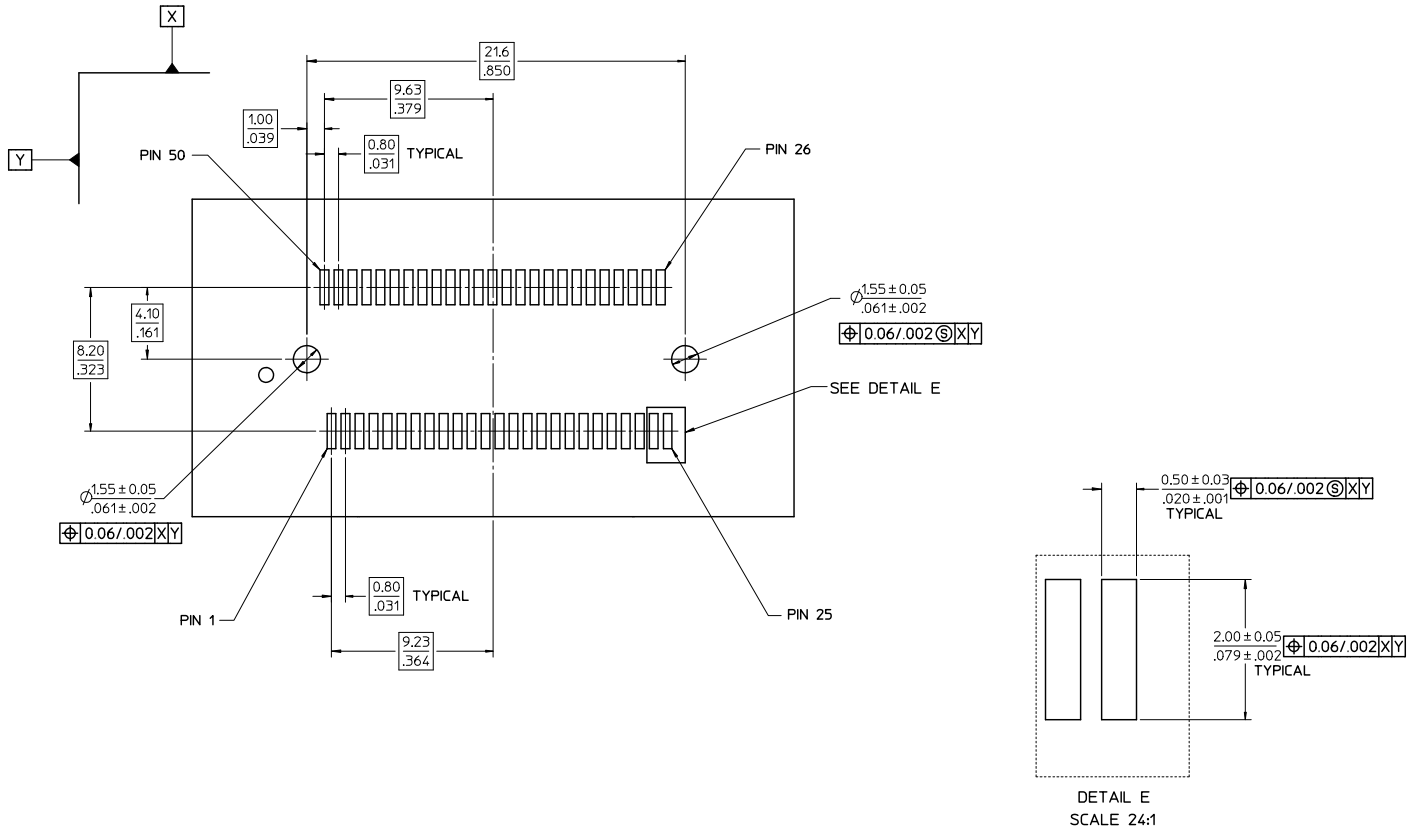


40 CIRCUIT MOTHER BOARD  
RECOMMENDED PCB LAYOUT

SEE SHEET 1 EC NO. UEP2009-1455 DRAWN BY BARRA 2009/07/15 CHECKED BY SMART 2009/07/15 APPROVED BY MILLER 2009/07/16	QUALITY SYMBOLS	GENERAL TOLERANCES (UNLESS SPECIFIED)	DIMENSION STYLE	SCALE	DESIGN UNITS	THIRD ANGLE PROJECTION
	$\nabla=0$ $\nabla=0$	mm    INCH 4 PLACES ± --- ± --- 3 PLACES ± --- ± --- 2 PLACES ± 0.13 ± .005 1 PLACE ± 0.25 ± .010 ANGULAR ± 1/2°	MM/IN	6:1	METRIC	THIRD ANGLE PROJECTION
	DESCRIPTION	DRAFT WHERE APPLICABLE MUST REMAIN WITHIN DIMENSIONS	DRAWN BY DATE HAVERY 00/04/06 CHECKED BY DATE KSWEENEY 00/04/06 APPROVED BY DATE MBANAKIS 00/04/06	TITLE	SALES ASSEMBLY Z AXIS PLUGGABLE PCB CONNECTOR	
	REV		SIZE	SEE TABLE	DOCUMENT NO.	MOLEX INCORPORATED SD-74441-001
			MATERIAL NO.	SHEET NO.		
			THIS DRAWING CONTAINS INFORMATION THAT IS PROPRIETARY TO MOLEX INCORPORATED AND SHOULD NOT BE USED WITHOUT WRITTEN PERMISSION		5 OF 7	

12 11 10 9 8 7 6 5 4 3 2 1

13 12 11 10 9 8 7 6 5 4 3 2 1

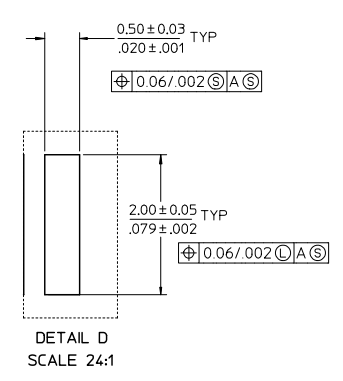
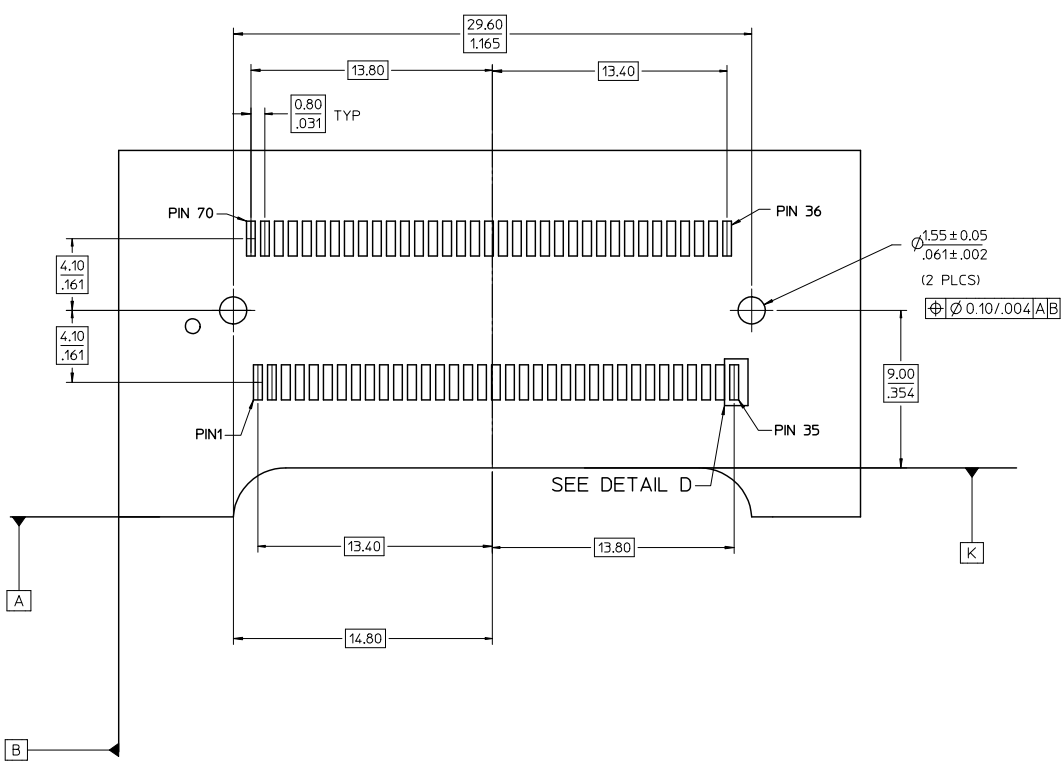


50 CIRCUIT MOTHER BOARD  
RECOMMENDED PCB LAYOUT

SEE SHEET 1 EIC NO.: UEP2009-1655 2009/01/15 DRAWN BY: DRWINIS BARRA 2009/01/15 CHECKED BY: CHACOSMART 2009/01/15 APPR: SHILLER 2009/01/16	QUALITY SYMBOLS ▽=0 ▽=0	GENERAL TOLERANCES (UNLESS SPECIFIED)		DIMENSION STYLE MM/IN		SCALE 6:1	DESIGN UNITS METRIC	THIRD ANGLE PROJECTION		
		4 PLACES ± .01 ± .01	3 PLACES ± .02 ± .02	2 PLACES ± .05 ± .05	1 PLACE ± .15 ± .15	DRAWN BY HAVERY	DATE 00/04/06	TITLE SALES ASSEMBLY Z AXIS PLUGGABLE PCB CONNECTOR		
		ANGULAR ±1/2°				APPROVED BY MBANAKIS	DATE 00/04/06	MOLEX INCORPORATED		
		DRAFT WHERE APPLICABLE MUST REMAIN WITHIN DIMENSIONS				MATERIAL NO. SEE TABLE	DOCUMENT NO. SD-74441-001	SHEET NO. 6 OF 7		

12 11 10 9 8 7 6 5 4 3 2 1

13 12 11 10 9 8 7 6 5 4 3 2 1



70 CIRCUIT MOTHER BOARD  
RECOMMENDED PCB LAYOUT

SEE SHEET 1 EIC NO. UEP2009-1655 DRAWN BY: DRWNS/BARRA 2009/01/15 CHECKED BY: CHADSMART 2009/01/15 APPR: SMILLER 2009/01/16	QUALITY SYMBOLS	GENERAL TOLERANCES (UNLESS SPECIFIED)	DIMENSION STYLE	SCALE	DESIGN UNITS	THIRD ANGLE PROJECTION
	▽=0 ▽=0	mm INCH 4 PLACES ± ± 3 PLACES ± ± 2 PLACES ± 0.13 ± .005 1 PLACE ± 0.25 ± .010 ANGULAR ± 1/2°	MM/IN	6:1	METRIC	☉ THIRD ANGLE PROJECTION
	DESCRIPTION	DRAFT WHERE APPLICABLE MUST REMAIN WITHIN DIMENSIONS	DRAWN BY: HAVERY DATE: 00/04/06 CHECKED BY: KSWEENEY DATE: 00/04/06 APPROVED BY: MBANAKIS DATE: 00/04/06	TITLE	SALES ASSEMBLY Z AXIS PLUGGABLE PCB CONNECTOR	
	REV	SIZE C	MATERIAL NO. SEE TABLE	DOCUMENT NO. SD-74441-001	MOLEX INCORPORATED THIS DRAWING CONTAINS INFORMATION THAT IS PROPRIETARY TO MOLEX INCORPORATED AND SHOULD NOT BE USED WITHOUT WRITTEN PERMISSION	

12 11 10 9 8 7 6 5 4 3 2 1