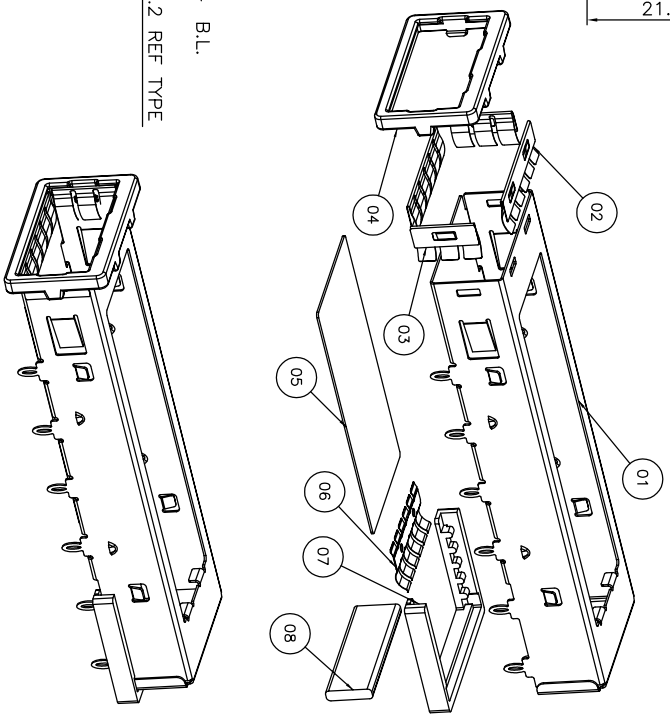
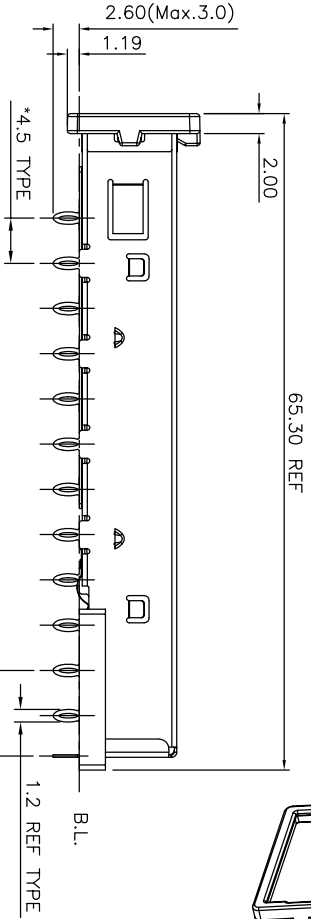
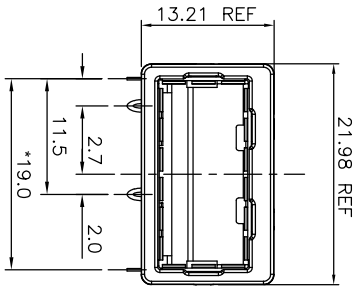
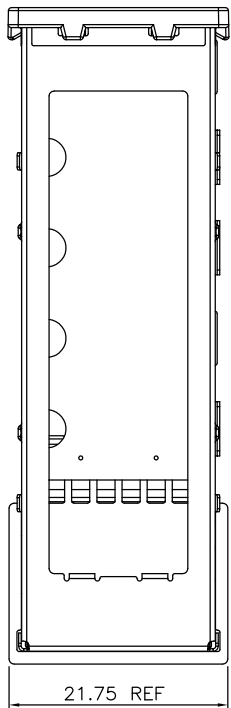


A1RFRD10

REVISION RECORD			
REV	ECO	DESCRIPTION	CHKO



PART NUMBER: XFPAGE001-L

No.	DESCRIPTION	Q'ty	MATERIAL	PLATING
01	CAGE HOUSING	1	COPPER ALLOY	
02	FRONT EMI GASKET/UD	2	COPPER ALLOY	Sn
03	FRONT EMI GASKET/RL	2	COPPER ALLOY	Sn
04	FRONT FLANGE	1	ZINC ALLOY	Ni
05	MYLAR	1		
06	INTERMEDIATE REAR EMI GASKET	1	COPPER ALLOY	Sn
07	LOWER REAR EMI GASKET	1	EMI RUBBER	
08	UPPER REAR EMI GASKET	1	EMI PORON	

DIM		(INCH)	
MM	INCH	MM	INCH
0.05	± 0.002	0.05	± 0.002
0.10	± 0.004	0.10	± 0.004
0.20	± 0.008	0.20	± 0.008
0.50	± 0.020	0.50	± 0.020
1.00	± 0.040	1.00	± 0.040
ANGLES ± 0.5			

DTG	TRG	DATE	DATE
CHKD	DATE	06/05/06	
MFO	DATE		
APPL	DATE		

TITLE		DRAWING NO. XFPAGE001-L		SIZE	REV
XFP CAGE		/PART NO. SEE NOTE		A3	0
PULL RISE ELECTRONIC CO., LTD		DO NOT SCALE DRAWING			
(Non-Logo)		SHEET	1	OF	1

8 7 6 5 4 3 2 1