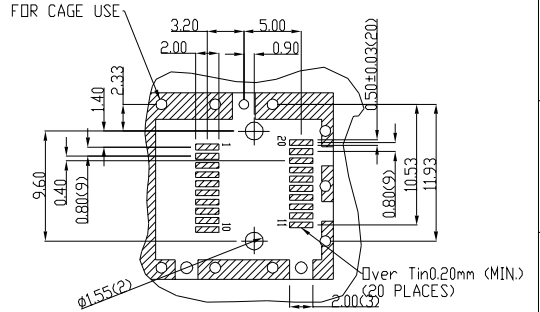
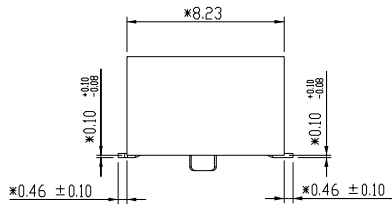
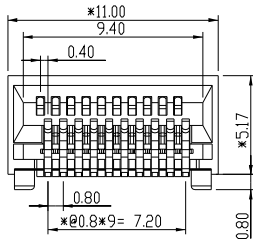


\*COPLANARITY 0.12mm MAX.(20)



PCB LAYOUT (CONNECTOR) / TOP VIEW



NOTE:

MECHANICAL:

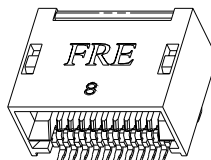
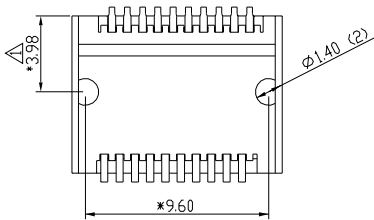
CONNECTOR MATERIAL:

1. HOUSING-HIGH TEMPERATURE THERMOPLASTIC GLASS FIBER UL94V-0. STANDARD COLOR :BLACK.
2. CONTACT: PHOS-BRONZE THICKNESS=0.20mm. : SELECTIVE GOLD PLATING
3. DURABILITY:250 CYCLES MIN.

ELECTRICAL:

- 1.VOLTAGE RATING : 30 VAC RMS MAX.
- 2.CURRENT RATING : 0.5 AMP MAX.
- 3.DIFFERENTIAL IMPEDANCE : 100 Ωms.
- 4.CAPACITANCE:1.2pF MAX.
- 5.CONTACT RESISTANCE: 20 MILLIOHMS MAX.
- 6.INSULATION RESISTANCE: 500 MEGOHMS MIN.
- 7.TEMPERATURE:  
WAVE SOLDER TEMPERATURE SUGGEST 250°C~270°C.  
OPERATING TEMPERATURE: -40°C to +85°C  
STORAGE TEMPERATURE: -40°C to +85°C
- 8.RoHS COMPLIANT.

PART NUMBER	GOLD PLATING
E81M0-VCYF83-L	15u"
E81M0-VCYF84-L	30u"
E81M0-VCYF85-L	50u"



SCALE 4:1

<p>TOLERANCES EXCEPT AS NOTED</p> <table border="1"> <thead> <tr> <th>MM</th> <th>INCH</th> </tr> </thead> <tbody> <tr> <td>0 ± 0.2</td> <td>±</td> </tr> <tr> <td>0.00 ± 0.15</td> <td>±</td> </tr> <tr> <td>0.00 ± 0.075</td> <td>±</td> </tr> </tbody> </table>				MM	INCH	0 ± 0.2	±	0.00 ± 0.15	±	0.00 ± 0.075	±
MM	INCH										
0 ± 0.2	±										
0.00 ± 0.15	±										
0.00 ± 0.075	±										
<p>DETAILED LISTS</p> <p>ANGLES ± 0.5</p> <p>THIRD ANGLE PROJECTION</p>											
<p>TITLE</p> <p>SFP CONNECTOR</p>		<p>SIZE REV</p> <p>A3 0</p>									
<p>DATE 08/10/2006</p> <p>SCALE : 5:1</p>		<p>DRAWING NO. CE813A34-LA</p> <p>/PART NO. SEE TABLE</p> <p>DD NOT SCALE DRAWING</p>									
<p>DR/TO Cathy</p>		<p>SHEET 1 OF 1</p>									

8 | 7 | 6 | 5 | 4 | 3 | 2 | 1