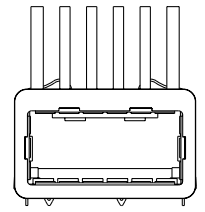
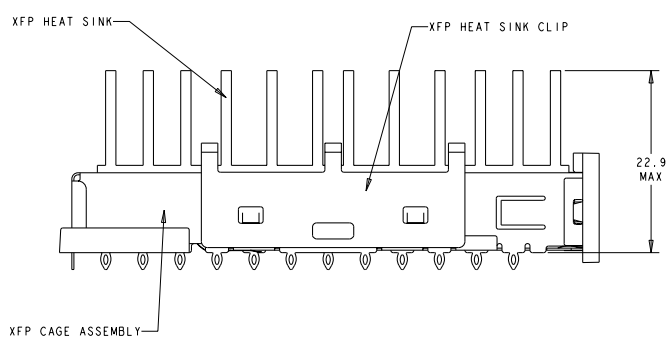
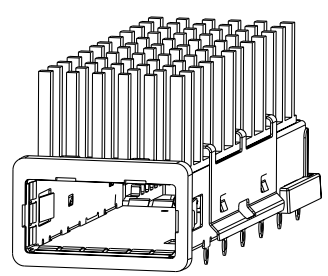
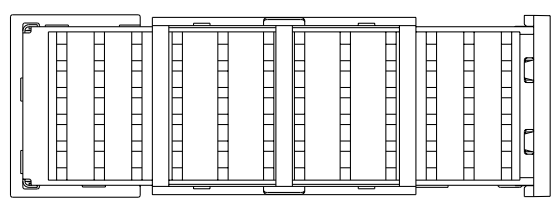


4 3 2 1

THIS DRAWING IS UNPUBLISHED. RELEASED FOR PUBLICATION BY TYCO ELECTRONICS CORPORATION. ALL RIGHTS RESERVED. COPYRIGHT 20

REV	DATE	BY	APPD
I	20MAY06	BW	JK
AI	22AUG06	BW	JK
B	07JUL2009	AL	ST
C	09MAR2011	JY	CW

- MATES WITH XFP MSA COMPLIANT TRANSCEIVERS.
- SEE COMPONENT DRAWINGS FOR COMPONENT DIMENSIONS AND INFORMATION.



1542706-2	1489948-2	1489951-1	NETWORKING	1888065-1
HEAT SINK PART NUMBER	HEAT SINK CLIP PART NUMBER	CAGE ASSEMBLY PART NUMBER	APPLICATION	PART NUMBER
<small>OWN: B MCMMASTER 24MAY06 CHK: J KOPPENHETTER 24MAY06 APPD: J KOPPENHETTER 24MAY06</small>		<small>TYCO ELECTRONICS HARRISBURG, PA 17105-3608</small>		
<small>DIMENSIONS: mm TOLERANCES UNLESS OTHERWISE SPECIFIED: 0 PLC ±.1 1 PLC ±.1 2 PLC ±.1 3 PLC ±.1 4 PLC ±.1 ANGLES ±.1</small>		<small>NAME: XFP KIT ASSEMBLY APPLICATION SPEC: 108-2127 MATERIAL: - FINISH: - WEIGHT: - CUSTOMER DRAWING</small>		
<small>STYL: A200779 CAGE CODE: 1888065</small>		<small>RESTRICTED TO: - SCALE: 3:1 SHEET 1 OF 1 REV C</small>		

AMP 1471-9 REV 31MAR2000  
Pre-ENGINEER DRAWING