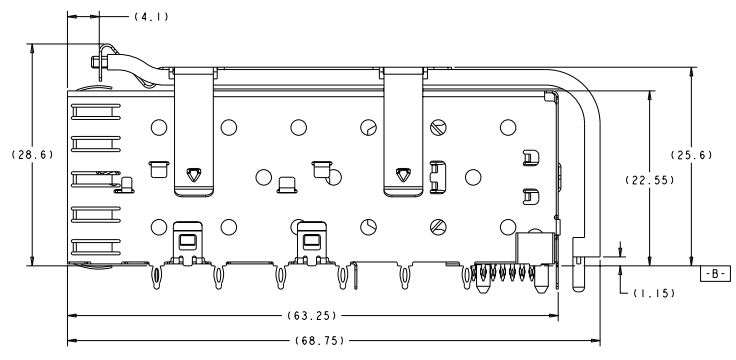
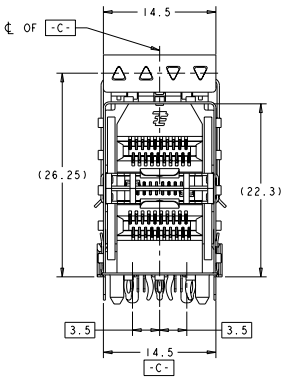
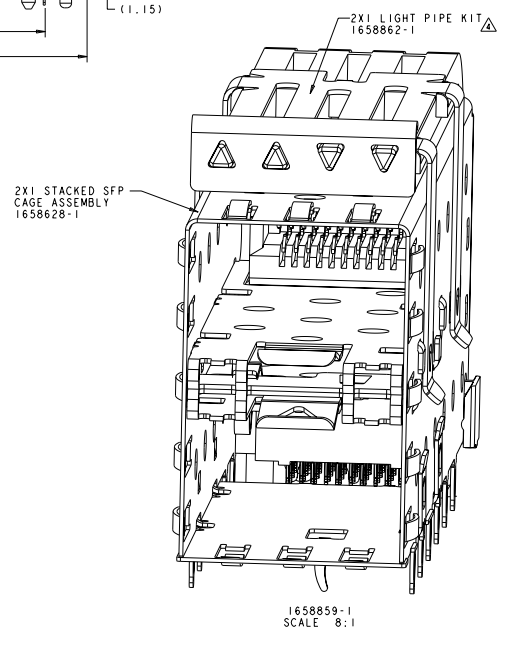
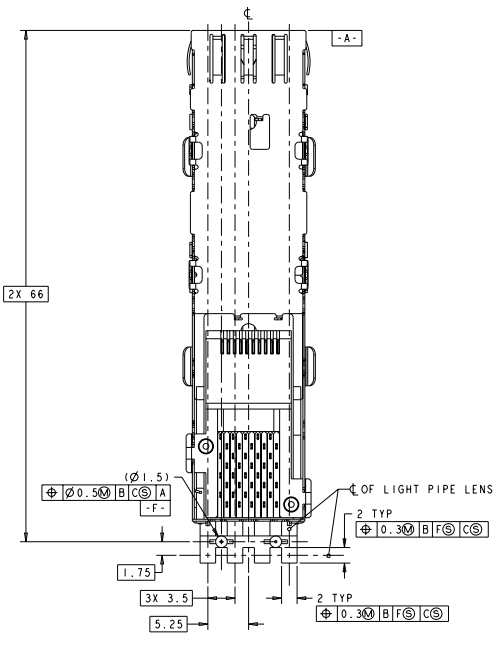


REV	DATE	REVISIONS	DATE	BY	CHK
ES	00				
C		REVISED PER ECR-07-018402		ZHANG	SL
CI		REVISED ECR-08-013764		WU	AZ
D		REVISED PER ECR-10-023688		ZHANG	JT



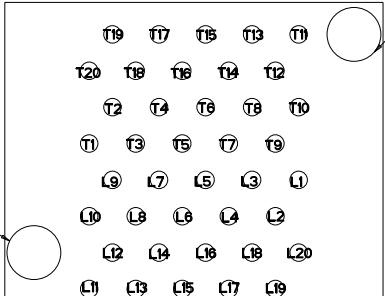
- △ DATUM AND BASIC DIMENSION TO BE DETERMINED BY CUSTOMER
  - △ DATUM C APPLIES OVER ENTIRE DIMENSION
  - △ INTERPRETATION OF DATUM REFERENCE FRAME IN ACCORDANCE WITH SECT 4.4.1.1 OF ASME Y14.5M-1994
  - △ LIGHT PIPE KIT SUPPLIED SEPARATELY. KIT TO BE ATTACHED AFTER SEATING OF 1658628-1 ON BOARD
5. CONNECTOR ASSEMBLY CONSISTS OF LIGHT PIPE ASSEMBLY AND STACKED SFP. SUPPLIED UNASSEMBLED.
  6. LABEL ON CAGE ASSEMBLY WILL HAVE PART NUMBER 1658628-1.



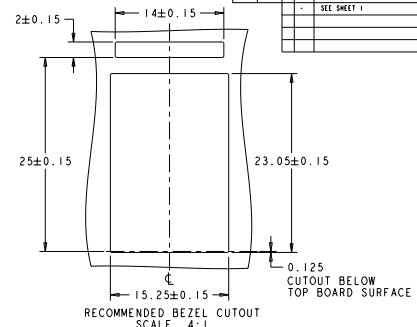
1658859-1  
 SCALE 8:1  
 PART NUMBER

DATE: 2018.12.13	REV: 00	BY: TFC ELECTRONICS CORPORATION	CHK: ZHANG	DATE: 2018.12.13	REV: 00	BY: TFC ELECTRONICS CORPORATION	CHK: ZHANG
TITLE: 2X1 CONNECTOR ASSEMBLY WITH LIGHT PIPE ASSEMBLY LOW PROFILE, PRESS-FIT PART NO: 1658859-1 CUSTOMER: TFC ELECTRONICS CORPORATION CUSTOMER DRAWING: 1658859-1				DATE: 2018.12.13 REV: 00 BY: TFC ELECTRONICS CORPORATION CHK: ZHANG			

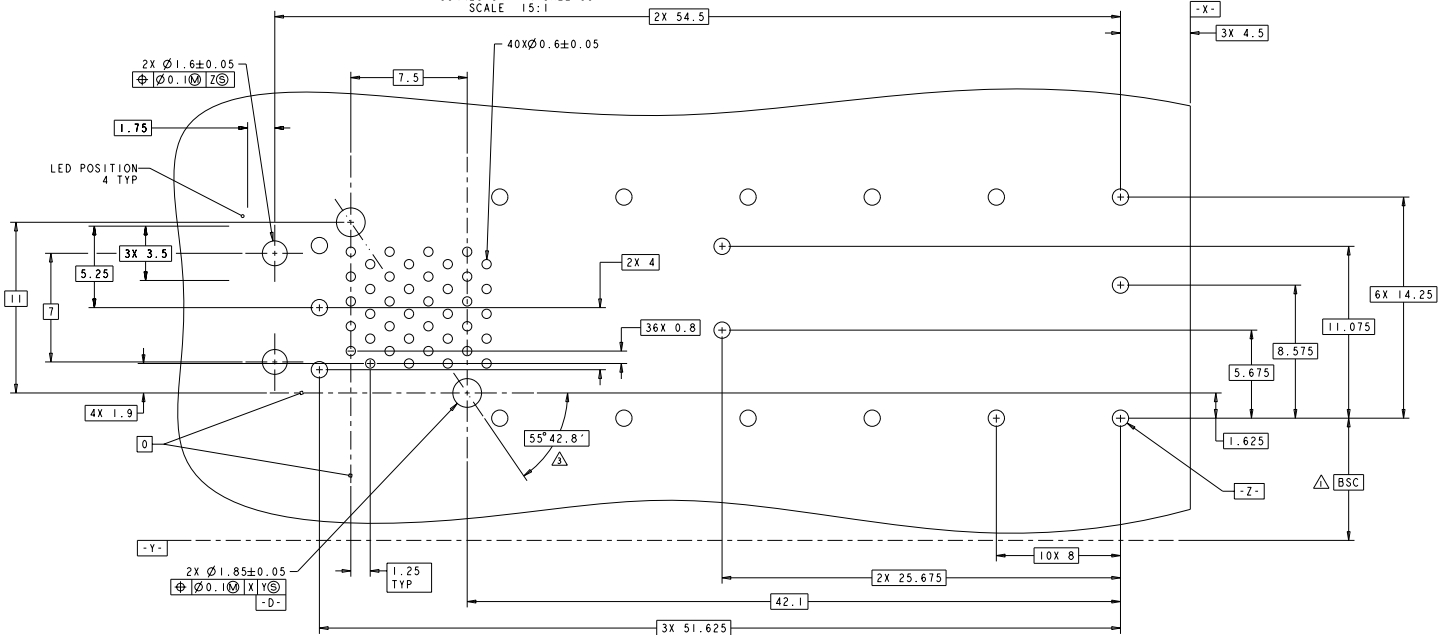
REVISED		REVISIONS	
NO.	DATE	DESCRIPTION	BY
ES	00	SEE SHEET 1	



PT CONNECTOR PIN CALL-OUT  
 SCALE 15:1



RECOMMENDED BEZEL CUTOUT  
 SCALE 4:1



SFP HOST BOARD  
 MECHANICAL LAYOUT  
 SCALE 8:1

TOSHIBA ELECTRONIC COMPONENTS		TOSHIBA ELECTRONIC COMPONENTS		TOSHIBA ELECTRONIC COMPONENTS	
DATE	REV.	DATE	REV.	DATE	REV.
00	00	00	00	00	00
DRAWN BY: [Name]		CHECKED BY: [Name]		APPROVED BY: [Name]	
DATE: [Date]		DATE: [Date]		DATE: [Date]	
SCALE: [Scale]		SCALE: [Scale]		SCALE: [Scale]	
SHEET: [Sheet]		SHEET: [Sheet]		SHEET: [Sheet]	
TOTAL: [Total]		TOTAL: [Total]		TOTAL: [Total]	
CUSTOMER DRAWING		CUSTOMER DRAWING		CUSTOMER DRAWING	