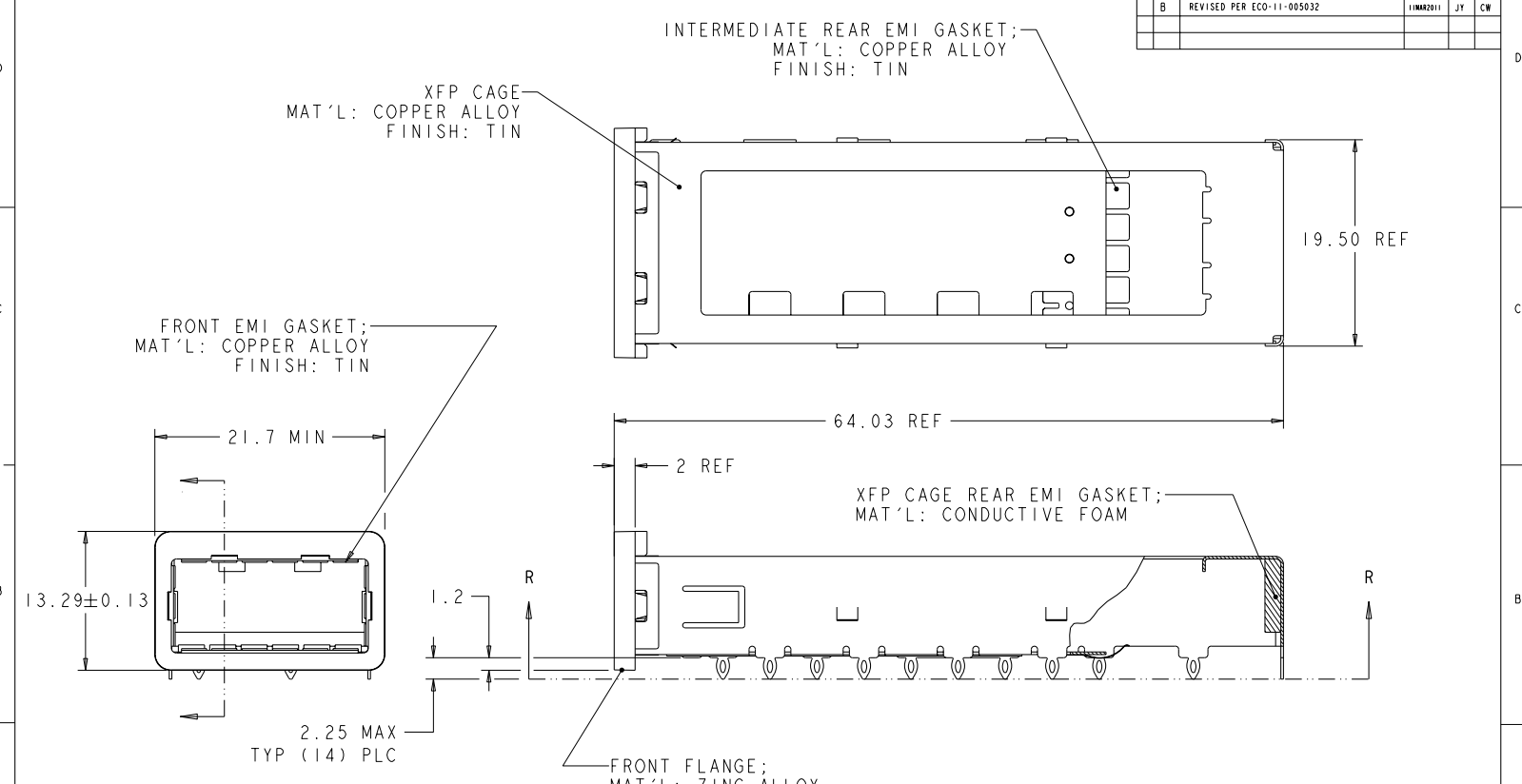


REV	DATE	BY	CHKD	APPROV
A1	23MAY08	AZ	ST	
B	11MAR2011	JY	CW	



1658945-1
PART NUMBER

DIMENSIONS:		mm	0 PLC ±.1 1 PLC ±.1 2 PLC ±.05 3 PLC ±.005 4 PLC ±.0001 ANGLES ±	OWN: D. STAHL 20NOV03 CD: E. BRIGHT 20NOV03 APPD: E. BRIGHT 20NOV03	TYCO ELECTRONICS Shanghai, China
MATERIAL:		-	FINISH	PRODUCT SPEC: 108-2127 APPLICATION SPEC: 114-13096 WEIGHT: -	ASSEMBLY, XFP CAGE WITHOUT ELASTOMERIC GASKET
CUSTOMER DRAWING		SCALE: 4		SHEET 1 OF 4 REV B	

4

3

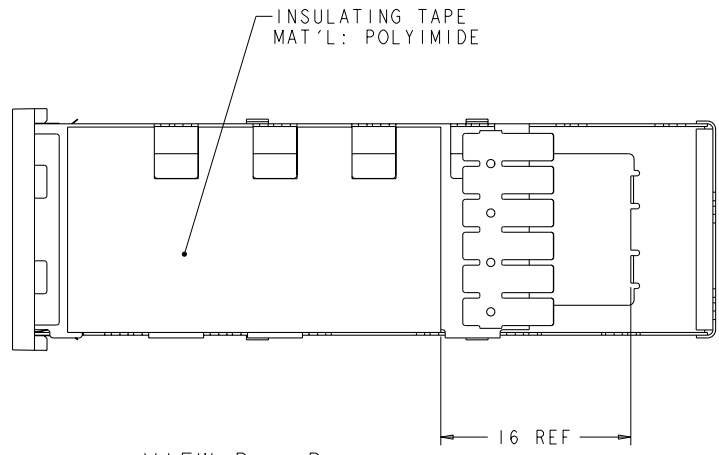
2

1

THIS DRAWING IS UNPUBLISHED. RELEASED FOR PUBLICATION BY TYCO ELECTRONICS CORPORATION. ALL INTERNATIONAL RIGHTS RESERVED. COPYRIGHT 20

LOC ES DIST 00

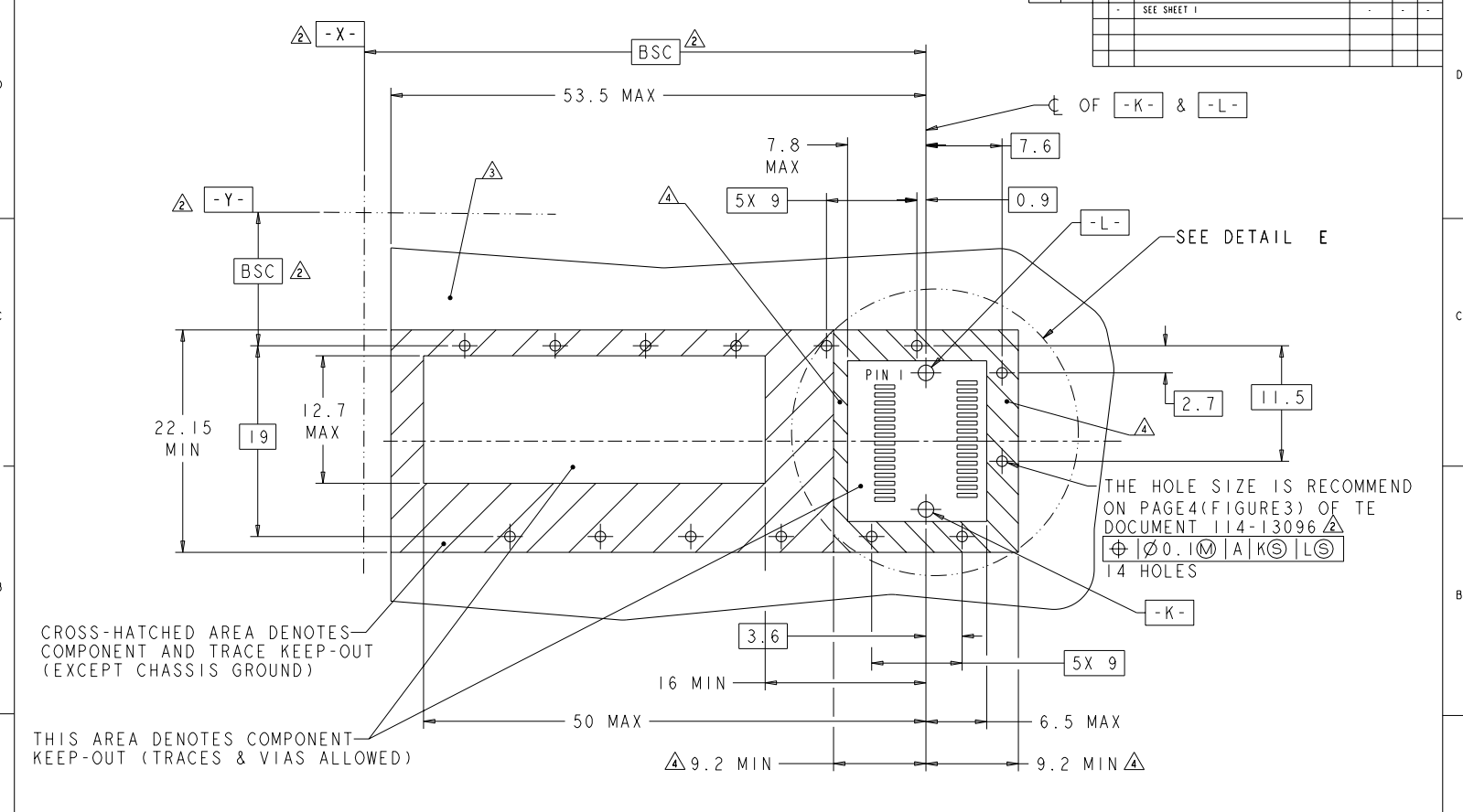
REVISIONS				
P	LY#	DESCRIPTION	DATE	BY
-		SEE SHEET 1	-	-



VIEW R - R

- △ MATES WITH XFP-MSA COMPLIANT TRANSCEIVERS.
- △ DATUM **-X-** AND **-Y-** ESTABLISHED BY CUSTOMER.
- △ DATUM **-A-** IS TOP SURFACE OF HOST BOARD.
- △ INDICATED SURFACES TO BE CONDUCTIVE AND CONNECTED TO CHASSIS GROUND.

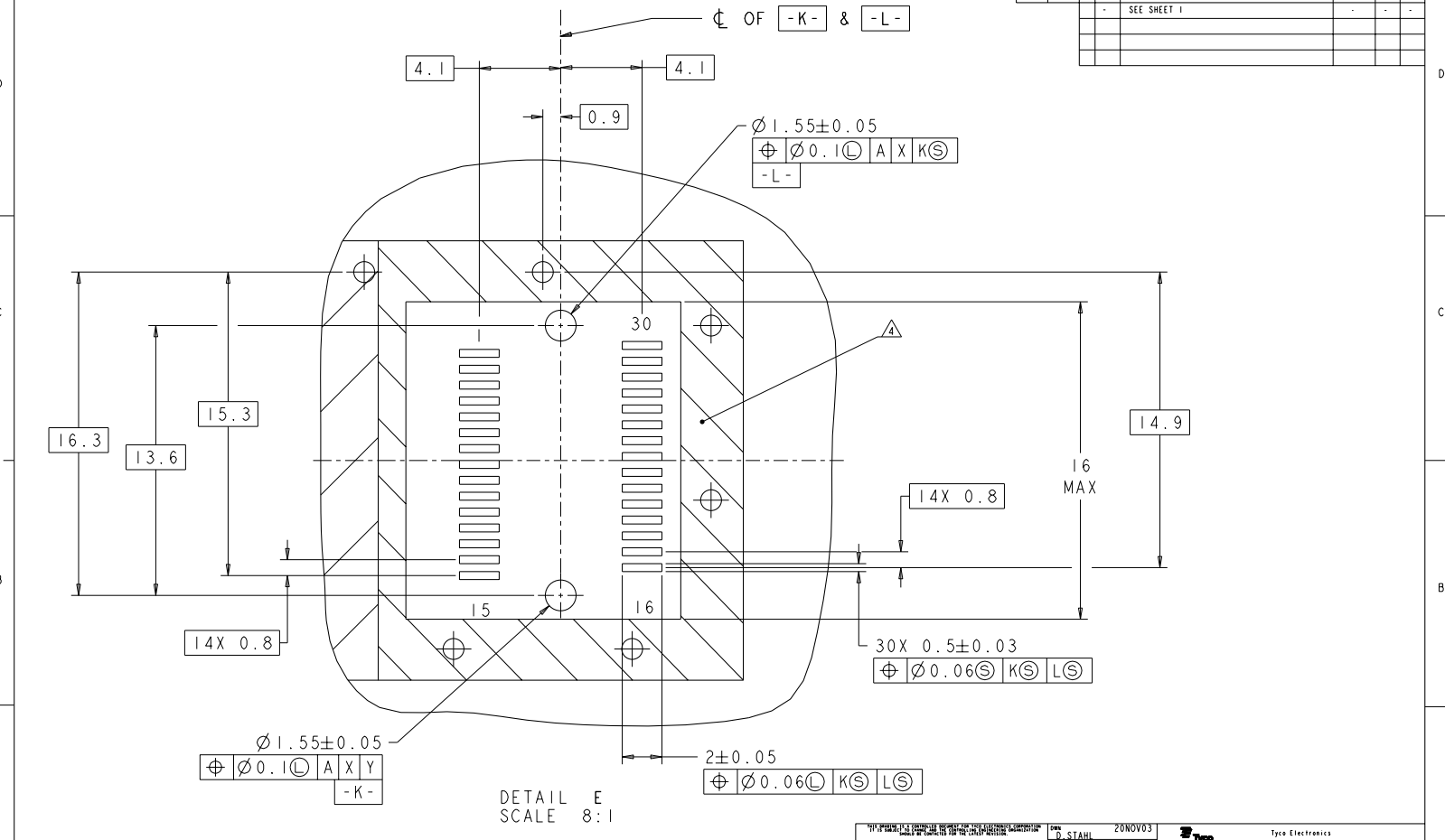
<small>TYCO ELECTRONICS CORPORATION IS NOT RESPONSIBLE FOR THE REVISIONS OR THE CORRECTIONS TO THIS DRAWING.</small>		DWN D. STAHL 20NOV03 CD E. BRIGHT 20NOV03 APD E. BRIGHT 20NOV03	Tyco Electronics Shanghai, China
DIMENSIONS: mm	TO MANUFACTURE: DIMENSIONAL SPECIFICATIONS: 0 PLC ±.1 1 PLC ±.1 2 PLC ±.05 3 PLC ±.005 4 PLC ±.005 ANGLES ±.	PRODUCT SPEC 108-2127 APPLICATION SPEC 114-13096	NAME ASSEMBLY, XFP CAGE WITHOUT ELASTOMERIC GASKET
MATERIAL FINISH	WEIGHT CUSTOMER DRAWING	SIZE A200779	CASE CODE C=1658945
		DRAWING NO 1658945	RESTRICTED TO -
		SCALE 4	SHEET 2 OF 4 REV B



REVISONS		DATE	BY	APPROV
P	LYN			
- SEE SHEET 1				

DETAILED HOST BOARD MECHANICAL LAYOUT

<small>THIS DRAWING IS UNPUBLISHED. RELEASED FOR PUBLICATION BY TYCO ELECTRONICS CORPORATION. ALL INTERNATIONAL RIGHTS RESERVED. COPYRIGHT 20</small>		DWG: 20NOV03 CD: 20NOV03 E: BRIGHT APD: 20NOV03	Tyco Electronics Shanghai, China
DIMENSIONS: mm TOLERANCES UNLESS OTHERWISE SPECIFIED: 0 PLC ±.1 1 PLC ±.1 2 PLC ±.05 3 PLC ±.005 4 PLC ±.0001 ANGLES ±.		PRODUCT SPEC: 108-2127 APPLICATION SPEC: 114-13096	NAME: ASSEMBLY, XFP CAGE WITHOUT ELASTOMERIC GASKET SIZE: A200779 CASE CODE: C=1658945 DRAWING NO: 114-13096
MATERIAL: - FINISH: -		WEIGHT: - CUSTOMER DRAWING	RESTRICTED TO: - SCALE: 4 SHEET: 3 OF 4 REV: B



REVISIONS				
P	LV	DESCRIPTION	DATE	BY
-	-	SEE SHEET 1	-	-

DETAILED HOST BOARD MECHANICAL LAYOUT

DIMENSIONS: mm 0 PLC ±.1 1 PLC ±.1 2 PLC ±.05 3 PLC ±.005 4 PLC ±.005 ANGLES ±.005		TO FINISH SPECIFIED FINISH WEIGHT CUSTOMER DRAWING	DW 20NOV03 D STAHL 20NOV03 E BRIGHT 20NOV03 APD 20NOV03 PRODUCT SPEC 108-2127 APPLICATION SPEC 114-13096	Tyco Electronics Shanghai, China ASSEMBLY, XFP CAGE WITHOUT ELASTOMERIC GASKET SIZE CASE CODE DRAWING NO A200779 C-1658945	RESTRICTED TO SCALE 4 SHEET 4 OF 4 REV B
---	--	---	---	---	---