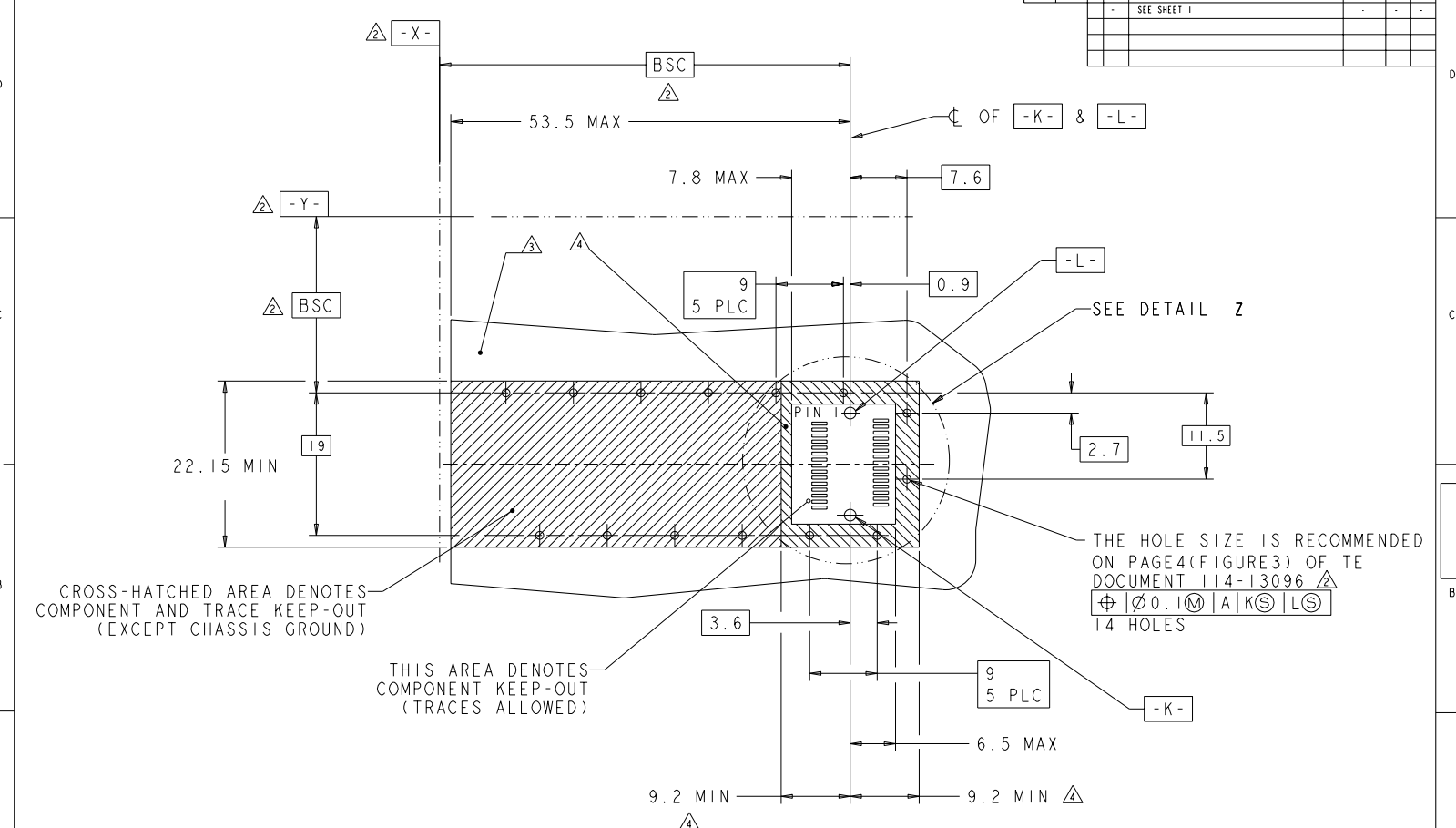


REV	DATE	BY	APP'D
I	07OCT2005	EB	JK
A	31MAR106	BN	JK
A1	12MAR108	A.Z.	S.Y.
B	11MAR2011	JY	CW

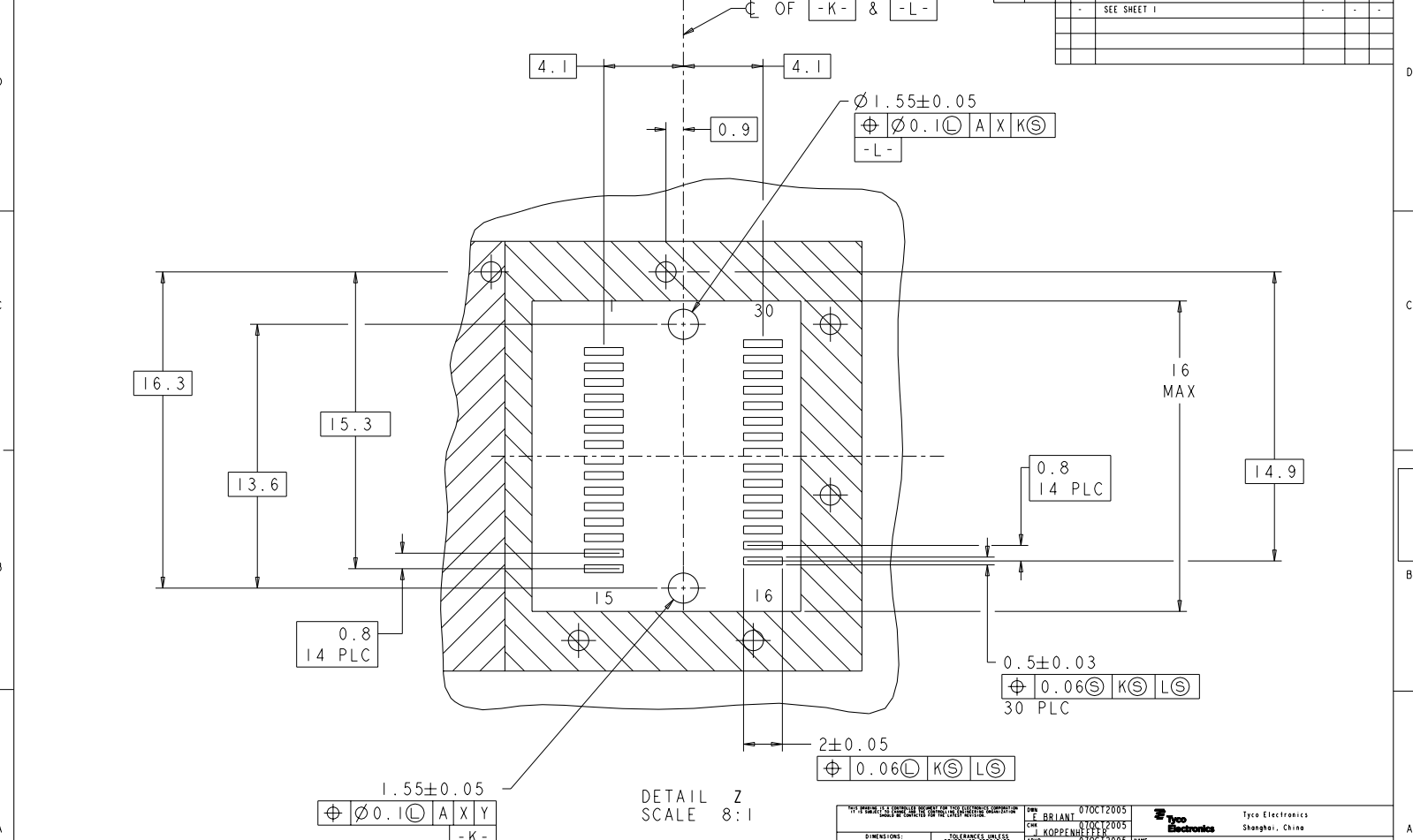
- △ MATES WITH XFP-MSA COMPLIANT TRANSCEIVERS.
- △ DATUM **-X-** AND **-Y-** ESTABLISHED BY CUSTOMER.
- △ DATUM **-A-** IS TOP SURFACE OF HOST BOARD.
- △ INDICATED SURFACES TO BE CONDUCTIVE AND CONNECTED TO CHASSIS GROUND.

DIMENSIONS: mm		TOLERANCES UNLESS OTHERWISE SPECIFIED: DIMENSIONS IN PARENTHESES		DWG 07OCT2005 E. BRIANT CHK 07OCT2005 J. KOPPENHOFER APP'D 07OCT2005 M. WALMSLEY		Tyco Electronics Shanghai, China	
0 PLC ±.1 1 PLC ±.1 2 PLC ±.01 3 PLC ±.001 4 PLC ±.0001 ANGLES ±.0001		PRODUCT SPEC 108-2127 APPLICATION SPEC 114-13096		NAME CAGE ASSEMBLY, 10 GIGABIT, XFP W/O GASKET		1888101-1 PART NUMBER	
MATERIAL FINISH		WEIGHT CUSTOMER DRAWING		SHEET CASE CODE DRAWING NO A2 00779 C-1888101		RESTRICTED TO SCALE 4 SHEET 1 OF 3 REV B	



DETAILED HOST BOARD MECHANICAL LAYOUT

DIMENSIONS: mm 0 PLC ±.1 1 PLC ±.1 2 PLC ±.01 3 PLC ±.001 4 PLC ±.0001 ANGLES ±.0001		DATE: 07OCT2005 DESIGNED BY: E. BRIANT CHECKED BY: M. WALSLEY PRODUCT SPEC: 108-2127 APPLICATION SPEC: 114-13096	TYPICAL TOLERANCES FOR THIS DRAWING: DIMENSIONS UNLESS OTHERWISE SPECIFIED DIMENSIONS UNLESS OTHERWISE SPECIFIED	DATE: 07OCT2005 NAME: M. WALSLEY SHEET: A2 CASE CODE: 00779 DRAWING NO: 1888101	Tyco Electronics Shanghai, China CAGE ASSEMBLY, 10 GIGABIT, XFP W/O GASKET	RESTRICTED TO: - SCALE: 4 SHEET: 2 OF 3 REV: B
---	--	--	--	---	--	---



DETAILED HOST BOARD MECHANICAL LAYOUT

REVISONS		DATE	BY	APPR
P	LYA			
- SEE SHEET 1		-	-	-

DIMENSIONS: mm 		TO: BRANIT 07OCT2005 E. BRILANT 07OCT2005 AND: KOPPENHAGEN M. MALMSLEY 07OCT2005		Tyco Electronics Shanghai, China	
TOLERANCES UNLESS OTHERWISE SPECIFIED: 0 PLC ±.1 1 PLC ±.01 2 PLC ±.001 3 PLC ±.0001 ANGLES ±.0001		NAME CAGE ASSEMBLY, 10 GIGABIT, XFP W/O GASKET		SHEET CASE CODE DRAWING NO A2 00779 C-1888101	
MATERIAL FINISH		WEIGHT CUSTOMER DRAWING		RESTRICTED TO SCALE 4 SHEET 3 OF 3 REV B	