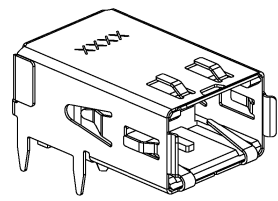
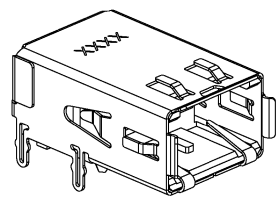
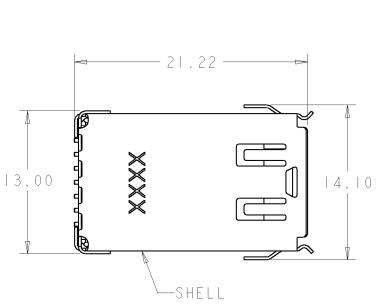
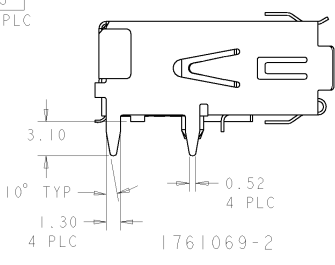
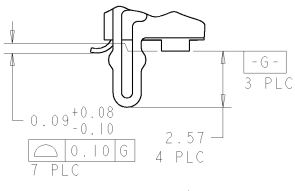
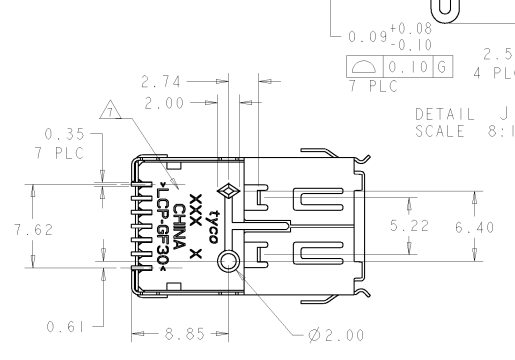
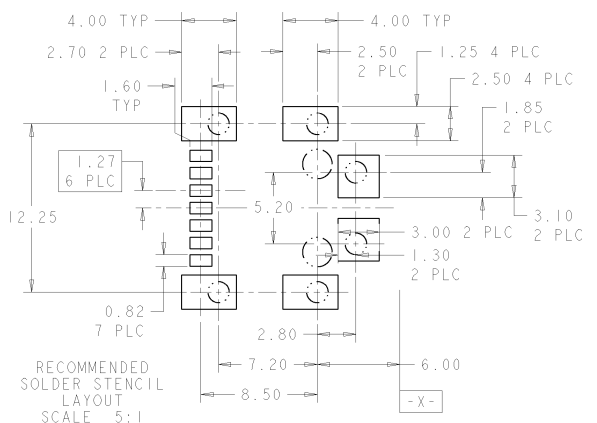
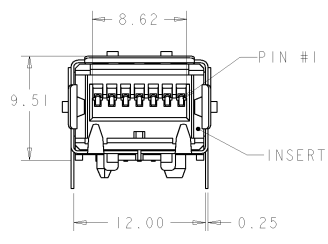
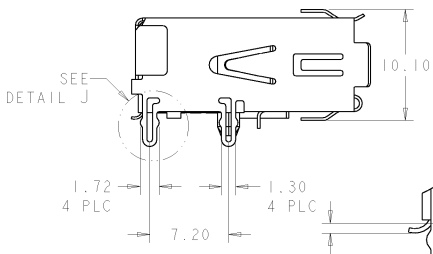


REV	DATE	BY	CHKD	DESCRIPTION
01		JG	JG	REVISED PER EC 0513-0253-05
A		JDP	SAS	REVISED PER ECO-06-007876
A1		CJV	SAS	REVISED PER ECO-06-029973
A2	06FEB10	KK	HMR	REVISED PER ECO-10-000445



- 1 INSERT: LCP, UL 94V-0 RATED.  
CONTACTS: COPPER ALLOY.  
SHELL: PHOSPHOR BRONZE.
- 2 CONTACTS: 1.27µm MINIMUM GOLD OVER  
3.81µm MINIMUM NICKEL ON MATING END.  
3.81µm MINIMUM MATTE TIN OVER  
1.27µm MINIMUM NICKEL ON SOLDER TAILS.  
SHELL: 3µm MINIMUM TIN OVER  
1.27µm MINIMUM NICKEL.
- 3 DATUM AND BASIC DIMENSION ESTABLISHED BY CUSTOMER.
- 4 LOCATION OF STANDOFF CONTACTING THE BOARD.
- 5 PACKAGED IN TRAY.
- 6 PACKAGED TAPE AND REEL.
- 7 TYCO LOGO, COUNTRY OF ORIGIN, MATERIAL CODE, BUILDING NUMBER AND MOLD CAVITY ID ARE FROSTED ON THIS SURFACE.



8 OBSOLETE PARTS: OBSOLETE CIS STREAMLINING PER D.RENAUD/D.SINISI

**COPYRIGHT 2004  
 ALL RIGHTS RESERVED  
 TYCO ELECTRONICS CORP**

REVISION	DESCRIPTION	PART NUMBER
1	SAME AS 1761069-1	1761069-1
2	SAME AS 1761069-2	1761069-2
3	SOLDER TAIL	1761069-3
4	SOLDER TAIL WITH BOARDLOCK	1761069-4

DESCRIPTION	PART NUMBER
RECEPTACLE ASSEMBLY, INFINIBAND, SURFACE MOUNT, SINGLE ROW, HSSDC2	1761069

SWN	23APR04	TYCO ELECTRONICS
GERALD	23APR04	Harrisburg, PA 17105-3600
C. ROHDE		
APPROVAL	23APR04	
DATE	108-1965	
APPLICATION SPEC	114-13028	
WEIGHT	2.71	
CUSTOMER DRAWING		

4

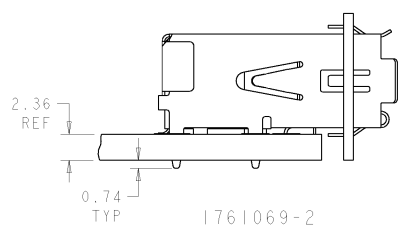
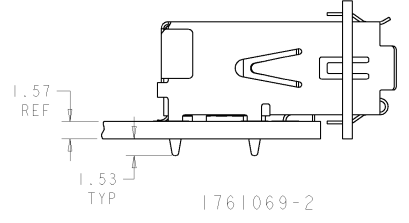
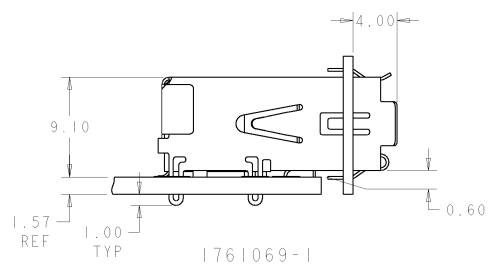
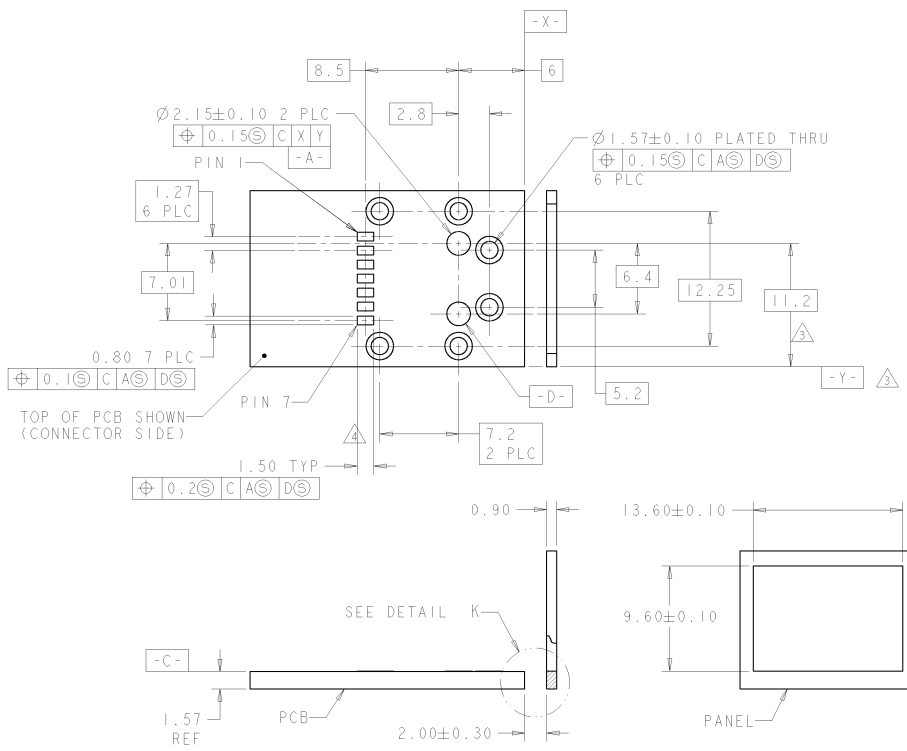
3

2

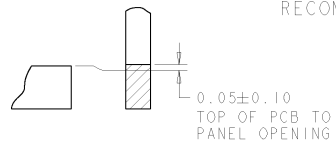
1

THIS DRAWING IS UNPUBLISHED. RELEASED FOR PUBLICATION BY TYCO ELECTRONICS CORPORATION. ALL RIGHTS RESERVED.

LOC	DISP	REV	DESCRIPTION	DATE	BY	CHKD
GP	00	1	SHEET 1	-	-	-



RECOMMENDED PCB AND PANEL LAYOUT  
CONNECTOR SIDE SHOWN



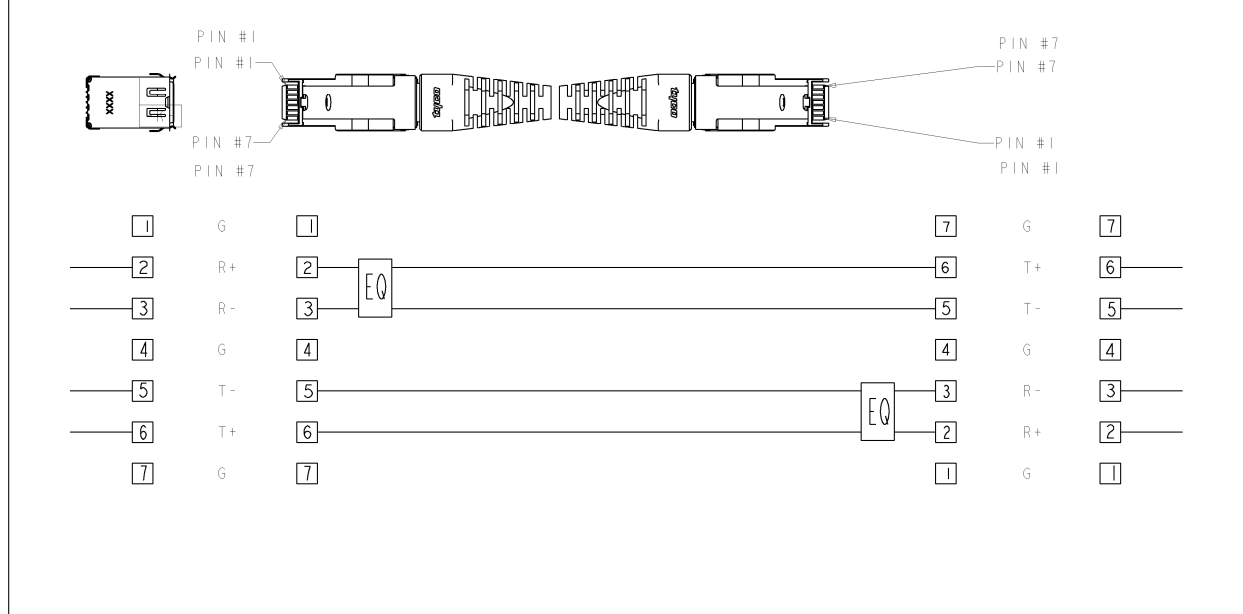
DETAIL K  
SCALE 10:1

**COPYRIGHT 2004  
ALL RIGHTS RESERVED  
TYCO ELECTRONICS CORP**

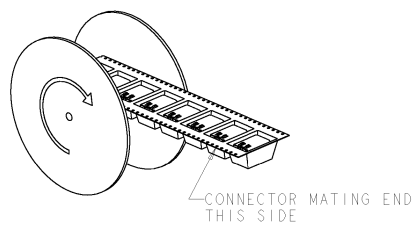
DIMENSIONS: mm		OWN GERALC 23APR04	DATE 23APR04	BY C. ROHDE	CHKD M. WALSHLEY	REV 23APR04	DESCRIPTION RECEPTACLE ASSEMBLY, INFINIBAND, SURFACE MOUNT, SINGLE ROW, HSSDC2
MATERIAL		PRODUCT SPEC 108-1965	APPLICATION SPEC 114-13028	WEIGHT	SIZE A2	CASE CODE 100779	DRAWING NO 1761069
FINISH		CUSTOMER DRAWING		SCALE 4:1		SHEET 2	OF 3

AMP 1471-B REV 31MAR2000

LOC	QTY	REV	DESCRIPTION	DATE	BY	APPD
GP	00		SEE SHEET 1			



PIN ASSIGNMENTS  
REFERENCE ONLY  
SCALE: NTS



TAPE AND REEL  
PACKAGING ORIENTATION  
SCALE: NTS

**COPYRIGHT 2004  
ALL RIGHTS RESERVED  
TYCO ELECTRONICS CORP**

DIMENSIONS: mm 	DIMENSIONS: INCHES PLG PLG PLG PLG ANGLES FINISH	DWG: GERACE 23APR04 CDR: ROHDE 23APR04 APPR: M. WALSHLEY 23APR04 PRODUCT SPEC: 108-1965 APPLICATION SPEC: 114-13028 WEIGHT: - CUSTOMER DRAWING	Tyco Electronics Harrisburg, PA 17105-3400 RECEPTACLE ASSEMBLY, INFINIBAND, SURFACE MOUNT, SINGLE ROW, HSSDC2 SIZE: A2 CASE CODE: 100779 DRAWING NO: 1761069 SCALE: 4:1 SHEET: 3 OF 3 REV: -
-----------------------	--	--	---