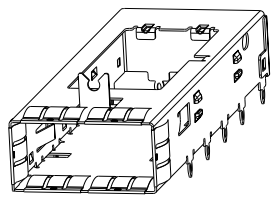
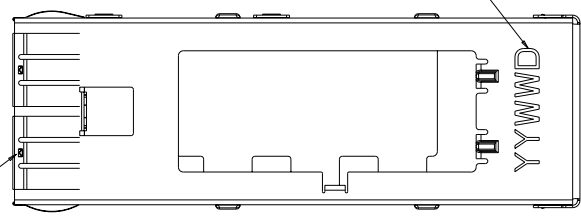


REV. NO.		REV. DATE		REV. DESCRIPTION		BY	CHK	APP
B	00	08/22/07		REV PER ECO-09-020440				

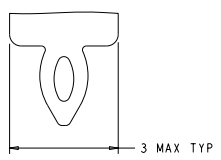
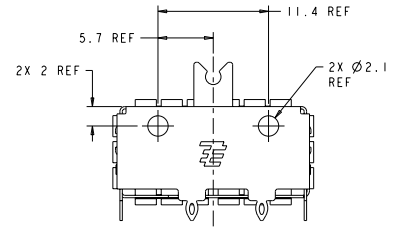
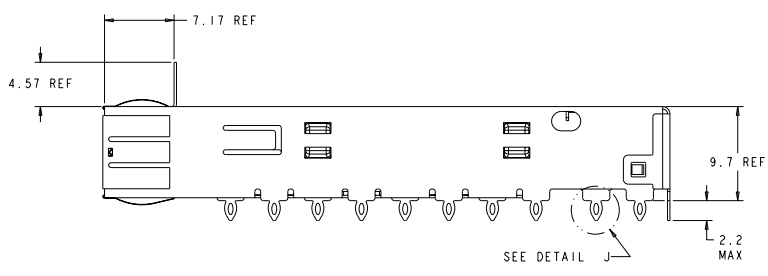
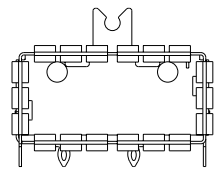


ISOMETRIC VIEW  
SCALE 4:1

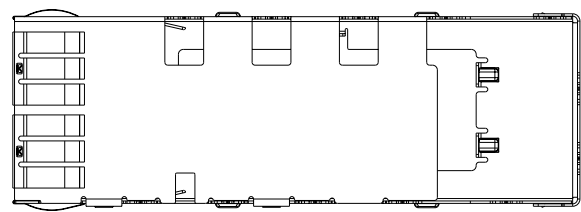
Sn42Bi58 SOLDER  
6 PLACES



- △ CAGE MATERIAL: 0.25 THICK NICKEL SILVER.  
SPRING MATERIAL: COPPER ALLOY.
- △ MINIMUM PITCH DIMENSION.
- 3. MATES WITH QSPF MSA COMPATIBLE TRANSCEIVER.
- △ REFERENCE APPLICATION SPEC 114-13217 FOR RECOMMENDED DRILL HOLE DIAMETER AND PLATING THICKNESS.
- △ DATUMS AND BASIC DIMENSIONS ESTABLISHED BY CUSTOMER.
- 6. MINIMUM PC BOARD THICKNESS:  
SINGLE SIDED = 1.45mm  
DOUBLE SIDED = 2.2mm
- 7. MAX HEIGHT OF LED OFF PC BOARD NOT TO EXCEED 1.7 mm.
- △ DATUM [-A-] IS TOP SURFACE OF HOST BOARD.
- △ SURFACE TRACES PERMITTED WITHIN THIS AREA EXCEPT WHERE CAGE STANDOFFS, SHOWN IN DETAIL J, CONTACT PC BOARD.
- △ DATE CODE (YYWWDD) MARKED APPROXIMATELY AS SHOWN.
- △ SPRING FINISH: 0.8µm MIN TIN OVER 0.8µm MIN NICKEL  
NON-PLATED EDGES PERMISSIBLE.
- 12. PRODUCT HAS NOT COMPLETED QUALIFICATION TESTING.



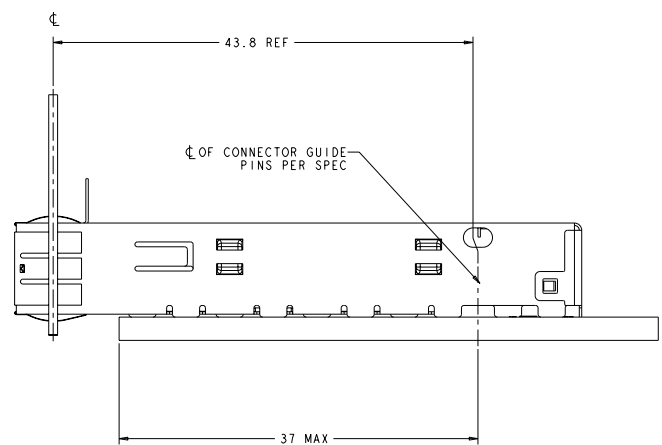
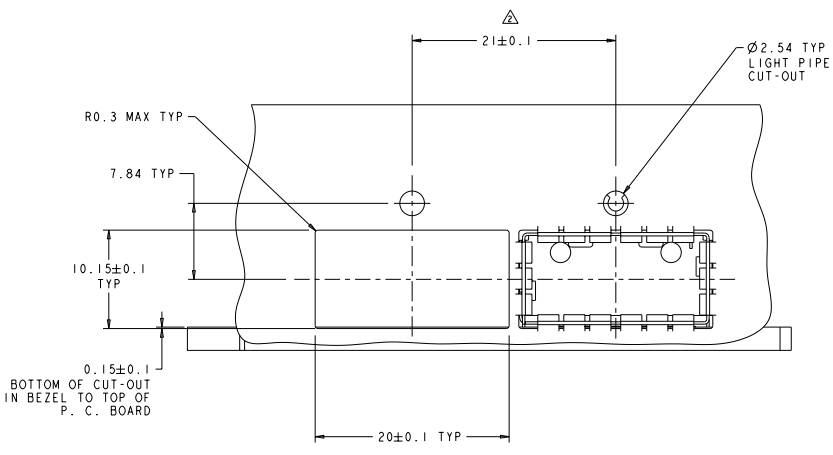
DETAIL J  
SCALE 20:1



1888674-1  
PART NUMBER

DATE: 08/22/07	BY: PDC ELECTRONICS COMPANY	ALL RIGHTS RESERVED	DATE: 08/22/07	BY: PDC ELECTRONICS COMPANY	ALL RIGHTS RESERVED
DATE: 08/22/07	BY: PDC ELECTRONICS COMPANY	ALL RIGHTS RESERVED	DATE: 08/22/07	BY: PDC ELECTRONICS COMPANY	ALL RIGHTS RESERVED
DATE: 08/22/07	BY: PDC ELECTRONICS COMPANY	ALL RIGHTS RESERVED	DATE: 08/22/07	BY: PDC ELECTRONICS COMPANY	ALL RIGHTS RESERVED
DATE: 08/22/07	BY: PDC ELECTRONICS COMPANY	ALL RIGHTS RESERVED	DATE: 08/22/07	BY: PDC ELECTRONICS COMPANY	ALL RIGHTS RESERVED
DATE: 08/22/07	BY: PDC ELECTRONICS COMPANY	ALL RIGHTS RESERVED	DATE: 08/22/07	BY: PDC ELECTRONICS COMPANY	ALL RIGHTS RESERVED
DATE: 08/22/07	BY: PDC ELECTRONICS COMPANY	ALL RIGHTS RESERVED	DATE: 08/22/07	BY: PDC ELECTRONICS COMPANY	ALL RIGHTS RESERVED
DATE: 08/22/07	BY: PDC ELECTRONICS COMPANY	ALL RIGHTS RESERVED	DATE: 08/22/07	BY: PDC ELECTRONICS COMPANY	ALL RIGHTS RESERVED
DATE: 08/22/07	BY: PDC ELECTRONICS COMPANY	ALL RIGHTS RESERVED	DATE: 08/22/07	BY: PDC ELECTRONICS COMPANY	ALL RIGHTS RESERVED
DATE: 08/22/07	BY: PDC ELECTRONICS COMPANY	ALL RIGHTS RESERVED	DATE: 08/22/07	BY: PDC ELECTRONICS COMPANY	ALL RIGHTS RESERVED
DATE: 08/22/07	BY: PDC ELECTRONICS COMPANY	ALL RIGHTS RESERVED	DATE: 08/22/07	BY: PDC ELECTRONICS COMPANY	ALL RIGHTS RESERVED

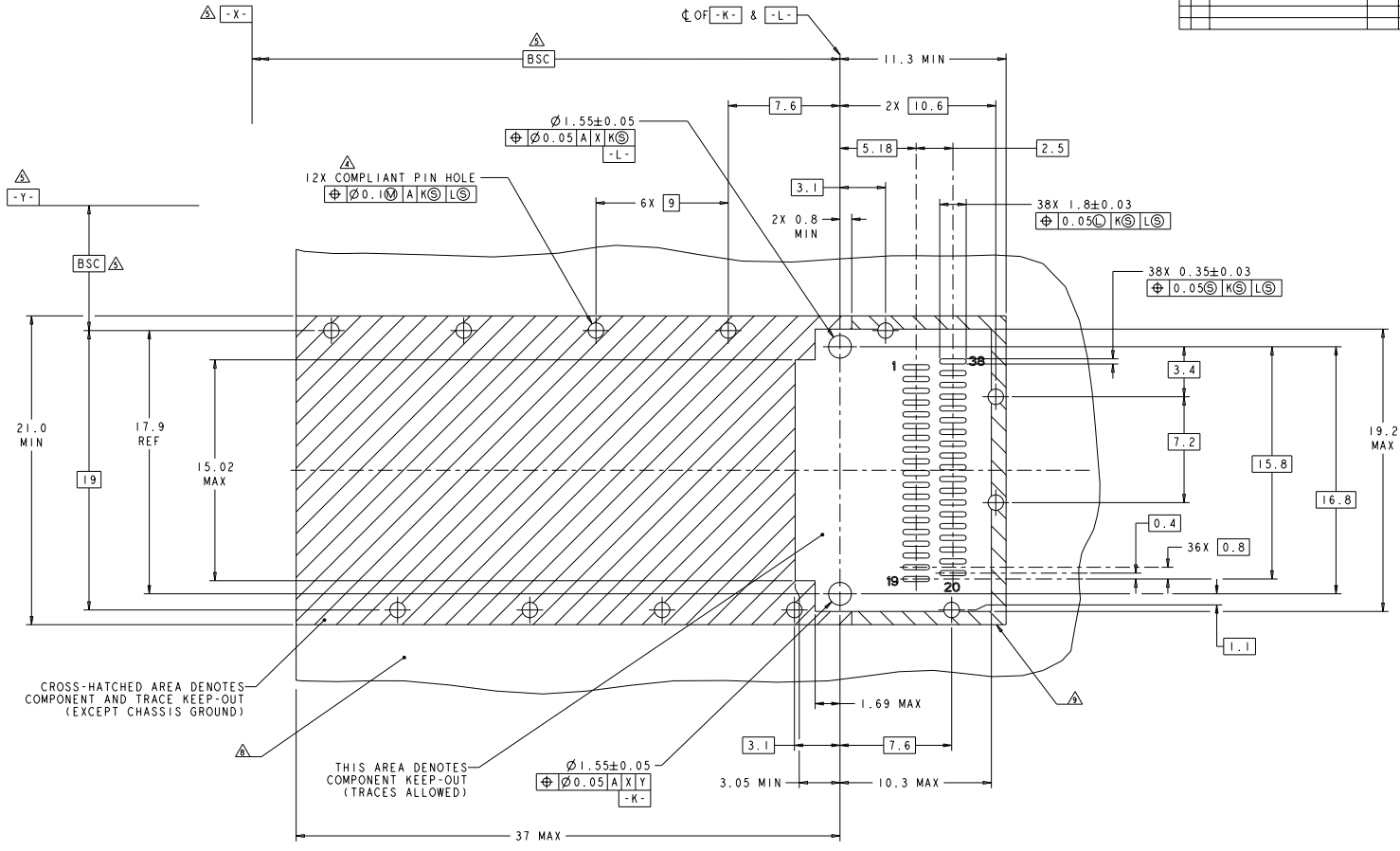
REV. NO.		REVISIONS	
GP	00	DATE	BY



RECOMMENDED BEZEL CUTOUT  
AND LOCATION

TYP. PART NO. 188-2286 QTY. 10000 DATE 08/25/17 BY J. B. B.		188-2286 CUSTOMER SPEC 116-13217		TYSR 00779 CUSTOMER DRAWING		TYSR ELECTRONICS Harrisburg, PA 17105-3600	
188-2286 CUSTOMER SPEC 116-13217		188-2286 CUSTOMER SPEC 116-13217		TYSR 00779 CUSTOMER DRAWING		TYSR ELECTRONICS Harrisburg, PA 17105-3600	
188-2286 CUSTOMER SPEC 116-13217		188-2286 CUSTOMER SPEC 116-13217		TYSR 00779 CUSTOMER DRAWING		TYSR ELECTRONICS Harrisburg, PA 17105-3600	

REV	DATE	DESCRIPTION	BY	CHK	APP
00		SEE SHEET 1			



RECOMMENDED PCB LAYOUT  
SCALE 8:1

DATE: 04/22/2007	BY: PCB ELECTRONICS CORPORATION	REV: 00	DESCRIPTION: CAGE ASSEMBLY, THRU BEZEL, OSFP, WITH LIGHTPIPE BRACKET
DATE: 04/22/2007	BY: PCB ELECTRONICS CORPORATION	REV: 00	DESCRIPTION: CAGE ASSEMBLY, THRU BEZEL, OSFP, WITH LIGHTPIPE BRACKET
DATE: 04/22/2007	BY: PCB ELECTRONICS CORPORATION	REV: 00	DESCRIPTION: CAGE ASSEMBLY, THRU BEZEL, OSFP, WITH LIGHTPIPE BRACKET
DATE: 04/22/2007	BY: PCB ELECTRONICS CORPORATION	REV: 00	DESCRIPTION: CAGE ASSEMBLY, THRU BEZEL, OSFP, WITH LIGHTPIPE BRACKET
DATE: 04/22/2007	BY: PCB ELECTRONICS CORPORATION	REV: 00	DESCRIPTION: CAGE ASSEMBLY, THRU BEZEL, OSFP, WITH LIGHTPIPE BRACKET
DATE: 04/22/2007	BY: PCB ELECTRONICS CORPORATION	REV: 00	DESCRIPTION: CAGE ASSEMBLY, THRU BEZEL, OSFP, WITH LIGHTPIPE BRACKET
DATE: 04/22/2007	BY: PCB ELECTRONICS CORPORATION	REV: 00	DESCRIPTION: CAGE ASSEMBLY, THRU BEZEL, OSFP, WITH LIGHTPIPE BRACKET
DATE: 04/22/2007	BY: PCB ELECTRONICS CORPORATION	REV: 00	DESCRIPTION: CAGE ASSEMBLY, THRU BEZEL, OSFP, WITH LIGHTPIPE BRACKET
DATE: 04/22/2007	BY: PCB ELECTRONICS CORPORATION	REV: 00	DESCRIPTION: CAGE ASSEMBLY, THRU BEZEL, OSFP, WITH LIGHTPIPE BRACKET
DATE: 04/22/2007	BY: PCB ELECTRONICS CORPORATION	REV: 00	DESCRIPTION: CAGE ASSEMBLY, THRU BEZEL, OSFP, WITH LIGHTPIPE BRACKET