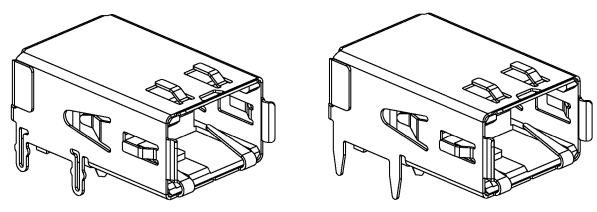
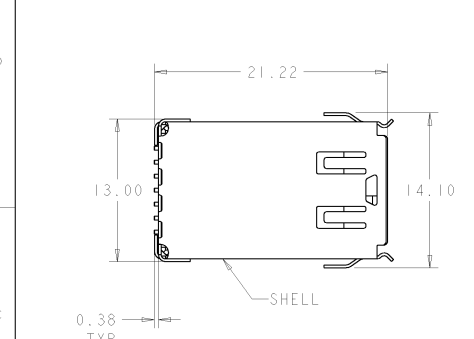
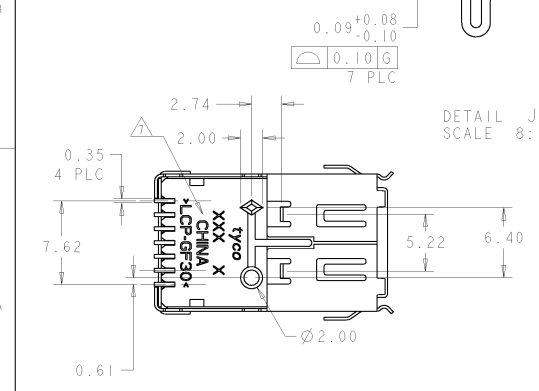
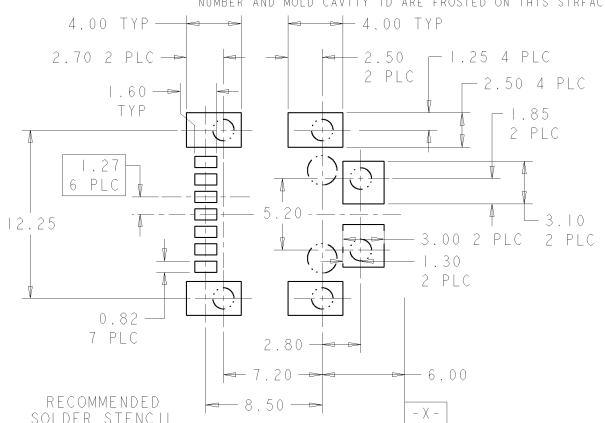
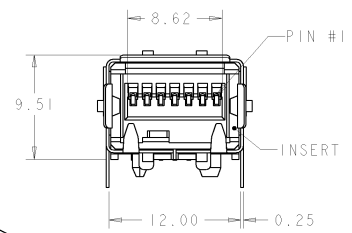
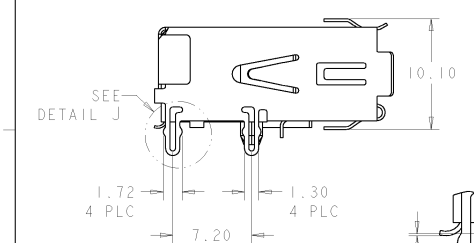


REV	DATE	BY	CHK	DESCRIPTION
0	23APR04	JG	CR	RELEASED PER ECO-03-0130-04
A	12DEC04	JDP	SAS	REVISED PER ECO-04-007876
A1	22DEC2004	CJV	SAS	REVISED PER ECO-04-029973

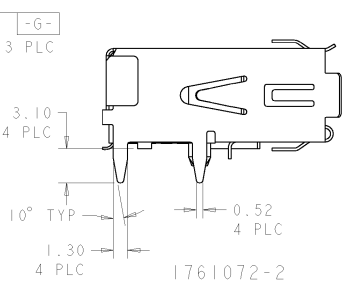


1761072-1
SOLDER TAIL WITH BOARDLOCK

1761072-2
SOLDER TAIL



DETAIL J
SCALE 8:1



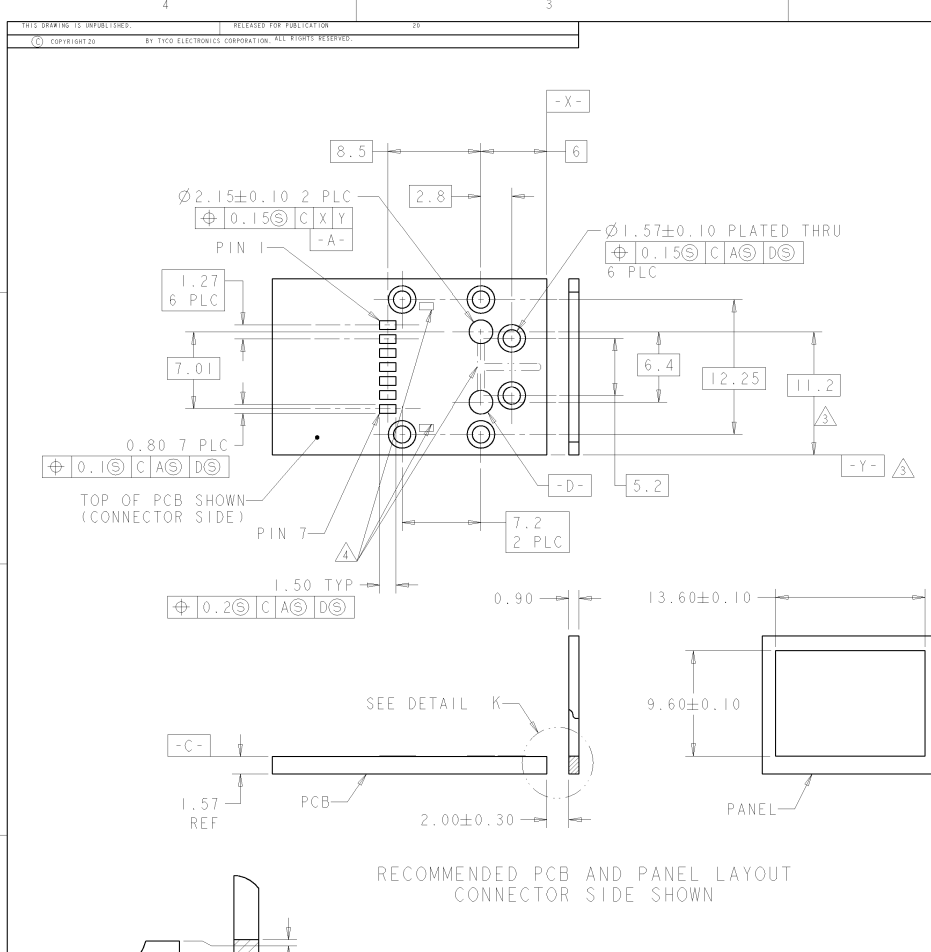
**COPYRIGHT 2004
 ALL RIGHTS RESERVED
 TYCO ELECTRONICS CORP**

- △ INSERT: LCP, UL 94V-0 RATED.
CONTACTS: COPPER ALLOY
SHELL: PHOSPHOR BRONZE.
- △ CONTACTS: 1.27µm MINIMUM GOLD OVER
3.81µm MINIMUM NICKEL ON MATING END.
3.81µm MINIMUM MATTE TIN OVER
1.27µm MINIMUM NICKEL ON SOLDER TAILS.
SHELL: 3µm MINIMUM TIN OVER
1.27µm MINIMUM NICKEL.
- △ DATUM AND BASIC DIMENSION ESTABLISHED BY CUSTOMER.
- △ LOCATION OF STANDOFF CONTACTING THE BOARD.
- △ PACKAGED IN TRAY.
- △ PACKAGED TAPE AND REEL.
- △ TYCO LOGO, COUNTRY OF ORIGIN, MATERIAL CODE, BUILDING NUMBER AND MOLD CAVITY ID ARE FROSTED ON THIS SURFACE.

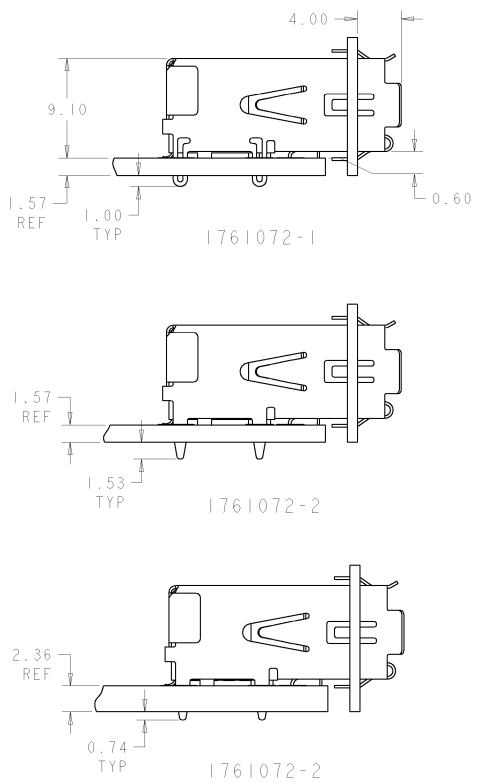
SYMBOL	DESCRIPTION	PART NUMBER
△	SAME AS 1761072-1	1761072-4
△	SAME AS 1761072-2	1761072-3
△	SOLDER TAIL	1761072-2
△	SOLDER TAIL WITH BOARDLOCK	1761072-1

SYMBOL	DESCRIPTION	PART NUMBER
△	SAME AS 1761072-1	1761072-4
△	SAME AS 1761072-2	1761072-3
△	SOLDER TAIL	1761072-2
△	SOLDER TAIL WITH BOARDLOCK	1761072-1

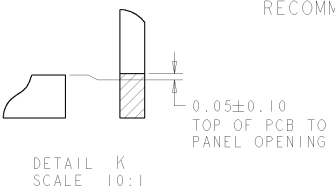
DIMENSIONS: mm 0 PLC 1 PLC 2 PLC 3 PLC 4 PLC ANGLES FINISH	DWG: 23APR04 GERAC: 23APR04 C. ROHDE APPROV: M. WALLEY DATE: 108-1965 APPLICATION SPEC: 114-13028 WEIGHT: 2.71 CUSTOMER DRAWING	Tyco Electronics Harrisburg, PA 17105-8400 RECEPTACLE ASSEMBLY, FIBRE CHANNEL, SURFACE MOUNT, SINGLE ROW, HSSDC2 SIZE: A2 CASE CODE: 100779 DRAWING NO: 1761072 RESTRICTED TO: - SCALE: 4:1 SHEET: 1 OF 3 REV: A1
--	--	---



REV	DATE	BY	APP'D	DESCRIPTION
1				SEE SHEET 1



RECOMMENDED PCB AND PANEL LAYOUT
CONNECTOR SIDE SHOWN

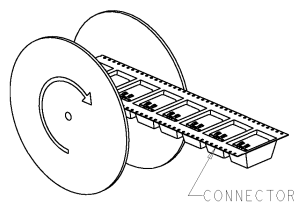
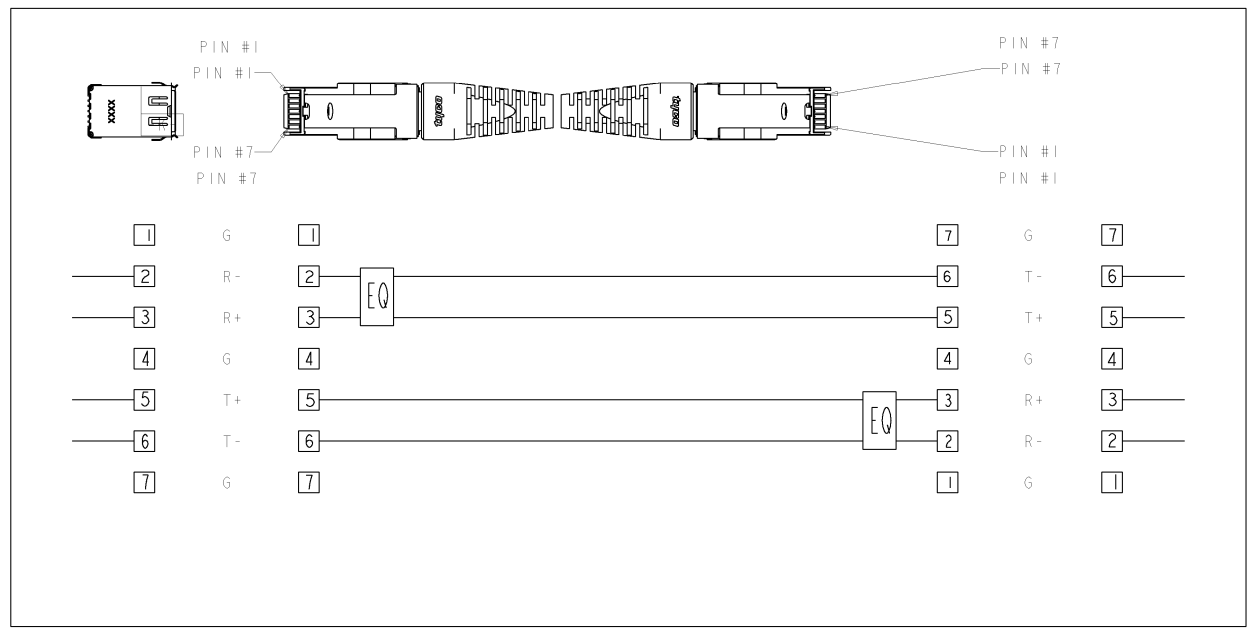


**COPYRIGHT 2004
ALL RIGHTS RESERVED
TYCO ELECTRONICS CORP**

<small>TOP DRAWING IS CONTROL DRAWING FOR THIS PRODUCT. ANY DIMENSIONS IN PARENTHESES ARE FOR INFORMATION ONLY. DIMENSIONS IN PARENTHESES ARE FOR THE CUSTOMER'S USE ONLY.</small>		DWN: J GERACE 23APR04 CHK: C ROHDE 23APR04 APP'D: M WALSHLEY 23APR04	tyco Electronics Tyco Electronics Harrisburg, PA 17105-9400
DIMENSIONS: mm	DIMENSIONS: mm	PRODUCT SPEC: APPLICATION SPEC: - WEIGHT: - FINISH: -	PART: RECEPTACLE ASSEMBLY, FIBRE CHANNEL, SURFACE MOUNT, SINGLE ROW, HSSDC2 SIZE: A2100779 CASE CODE: 1761072 DRAWING NO: 1761072 RESTRICTED TO: - SCALE: 4:1 SHEET 2 OF 3 REV A1 CUSTOMER DRAWING

THIS DRAWING IS UNPUBLISHED. RELEASED FOR PUBLICATION BY TYCO ELECTRONICS CORPORATION. ALL RIGHTS RESERVED.

LOC	QTY	REV	DESCRIPTION	DATE	BY	CHKD
GP	00	00	SEE SHEET 1	-	-	-



CONNECTOR MATING END THIS SIDE

TAPE AND REEL
PACKAGING ORIENTATION SCALE: NTS

PIN ASSIGNMENTS
REFERENCE ONLY
SCALE: NTS

**COPYRIGHT 2004
ALL RIGHTS RESERVED
TYCO ELECTRONICS CORP**

DIMENSIONS: mm 		DIMENSIONS: mm PLG ±.010 PLG ±.010 PLG ±.010 PLG ±.010 ANGLES ±.05° FINISH		DWN: J GERACE 23APR04 CHK: C ROHDE 23APR04 APP: M WALMLEY 23APR04	AMP Tyco Electronics Harrisburg, PA 17105-3400
MATERIAL: -			PRODUCT SPEC: - APPLICATION SPEC: - WEIGHT: - CUSTOMER DRAWING: -	PART NO: 23APR04 REV: 00 DATE: - BY: - CHKD: -	RECEPTACLE ASSEMBLY, FIBRE CHANNEL, SURFACE MOUNT, SINGLE ROW, HSSDC2 SIZE: - CASE CODE: - DRAWING NO: A2100779 SCALE: 4:1 SHEET 3 OF 3 REV A1