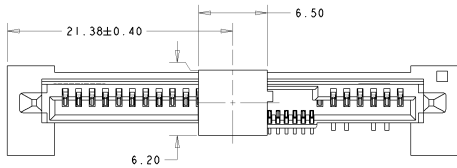


THIS DRAWING IS UNPUBLISHED. RELEASED FOR PUBLICATION BY - ALL RIGHTS RESERVED.

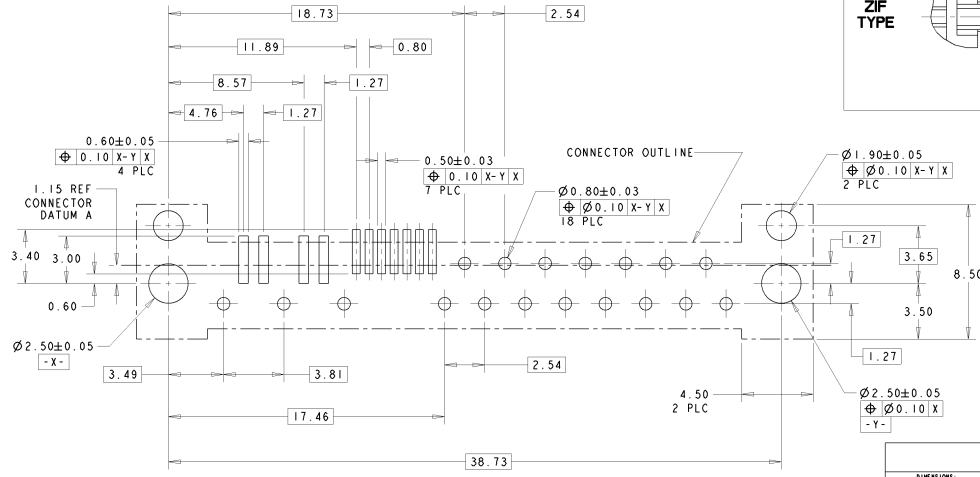
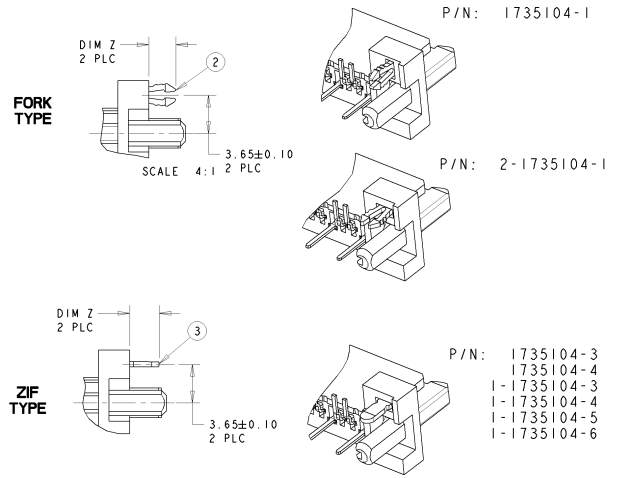
VIEW SHOWN WITH PICK-UP CAP



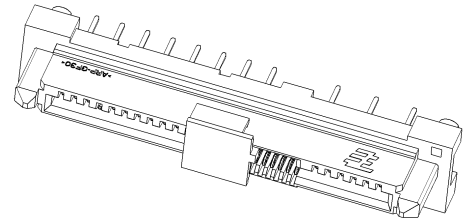
P/N: 1735104-3
 1735104-4
 1-1735104-3
 1-1735104-4
 1-1735104-5
 1-1735104-6
 2-1735104-1

LOC	QTY	REV	DESCRIPTION	DATE	BY	APPV
DY	-	1	SEE SHEET 1	-	-	-

BOARDLOCK CONFIGURATION



RECOMMENDED PCB LAYOUT
 SCALE 6:1



DIM SK LEAW 29JUL2005		TE Connectivity	
DIM SK LEAW 29JUL2005		SAS BACKPLANE RECEPTACLE, VERTICAL, HYBRID	
DIM SK LEAW 29JUL2005		NAME	
DIM SK LEAW 29JUL2005		SIZE CASE CODE DRAWING NO	
DIM SK LEAW 29JUL2005		A2 00779 1735104	
DIM SK LEAW 29JUL2005		SCALE 4:1 SHEET 2 OF 2 REV D1	

AMP 1471-B REV 05/04/74