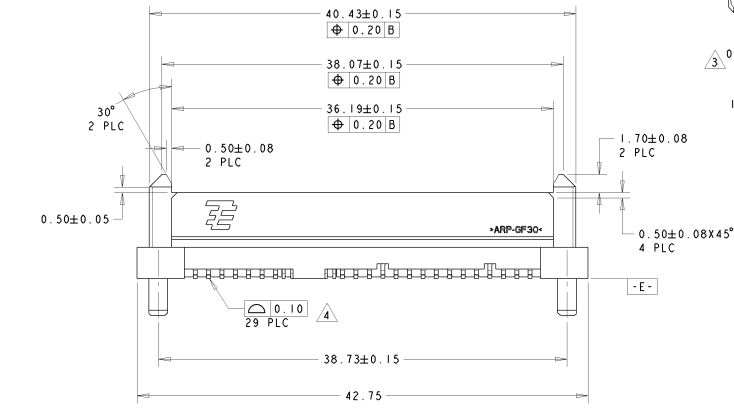
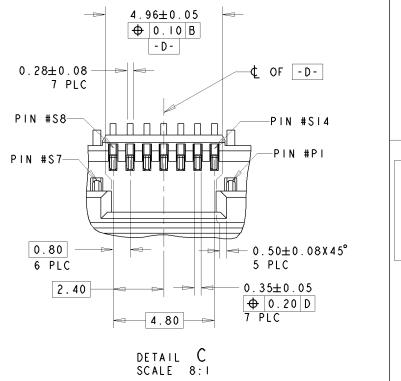
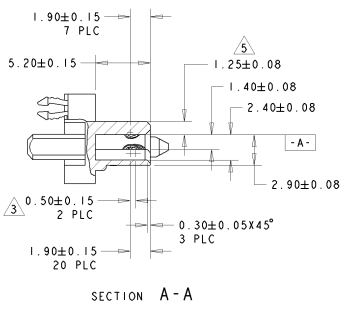
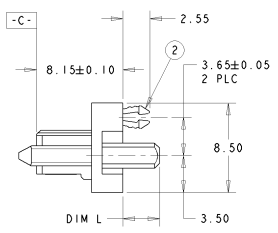
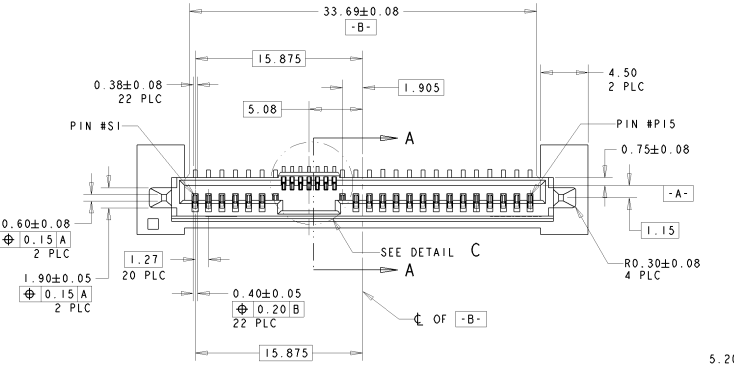


THIS DRAWING IS UNPUBLISHED.  
 RELEASED FOR PUBLICATION  
 BY AMP INCORPORATED. ALL RIGHTS RESERVED.

REV	DATE	DESCRIPTION	BY	APPV
1		REVISED ECR-10-012418	FAJUNIO	LSK

- NOTES:
- 1 MATERIAL:  
HOUSING: HIGH TEMP THERMOPLASTIC, UL94V-0,  
COLOR: BLACK  
CONTACT: COPPER ALLOY  
BOARDLOCK: COPPER ALLOY
  - 2 FINISH:  
CONTACT AREA: MIN 0.76um GOLD PLATING  
SOLDERTAIL: MIN 2.54um MATTE TIN PLATING  
UNDERPLATE: MIN 1.27um NICKEL PLATING
  - 3 PIN #P4 AND #P12 ONLY
  - 4 SOLDERTAIL TO BE 0.05 MAX ABOVE AND  
0.10 MAX BELOW DATUM E
  - 5 1.33 MAX MEASURED AT -C-



TAPE & REEL	ZIF TYPE (3)	2.30	YES	I-1735105-3
TAPE & REEL	ZIF TYPE (3)	3.50	YES	I-1735105-2
TRAY	ZIF TYPE (3)	3.50	YES	1735105-2
TRAY	FORK TYPE (2)	3.50	NO	1735105-1
PACKAGING	BOARDLOCK	DIM L	PICK-UP CAP (1)	PART NUMBER

DIMENSIONS		TOLERANCES UNLESS OTHERWISE SPECIFIED		DATE		BY		APPV	
0 PLC	±0.10	0.10	±0.10	29JUL2005	SK LEAW	29JUL2005	ST LEONG	29JUL2005	29JUL2005
1 PLC	±0.15	0.15	±0.15						
2 PLC	±0.20	0.20	±0.20						
3 PLC	±0.25	0.25	±0.25						
4 PLC	±0.30	0.30	±0.30						
ANGLES			±0.5°						
FINISH									

MATERIAL		TYPICAL DIMENSIONS		DATE		BY		APPV	
THERMOPLASTIC		108-51067		29JUL2005		SK LEAW		29JUL2005	
COPPER ALLOY		APPLICATION SPEC							
COPPER ALLOY		WEIGHT							
COPPER ALLOY		CUSTOMER DRAWING							

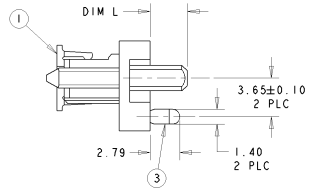
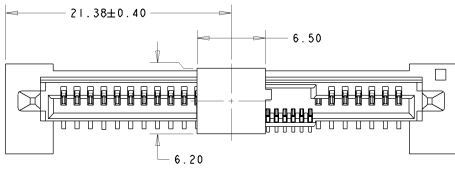
Tyo Electronics		Tyo Electronics		Tyo Electronics	
Singapore Pte. Ltd.		Singapore Pte. Ltd.		Singapore Pte. Ltd.	
NAME		SAS BACKPLANE RECEPTACLE, VERTICAL, SMT		NAME	
SIZE		A2		CASE CODE	
DRAWING NO		00779		DRAWING NO	
SCALE		4:1		DRAWING NO	
SHEET		1 OF 2		DRAWING NO	
REV		B		DRAWING NO	

AMP 1471-B REV 05/04/74

THIS DRAWING IS UNPUBLISHED.  
 (C) COPYRIGHT 19

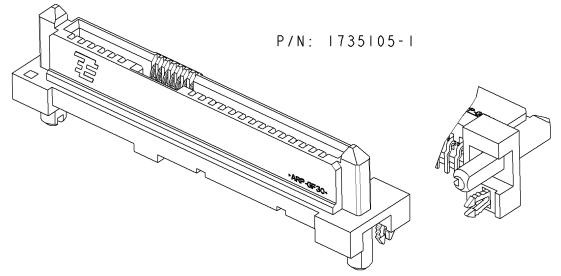
RELEASED FOR PUBLICATION  
 BY AMP INCORPORATED. ALL RIGHTS RESERVED.

P/N: 1735105-2 AS SHOWN  
 1-1735105-2  
 1-1735105-3

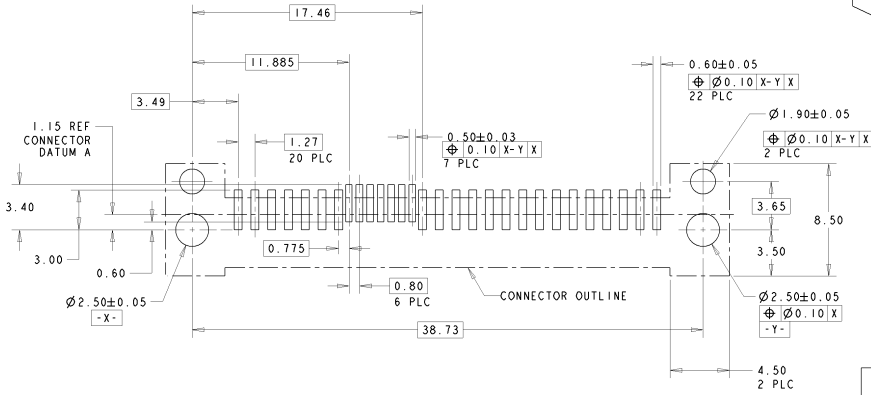
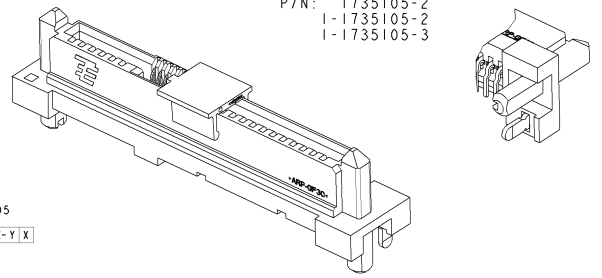


LOC	REV	REVISIONS	DATE	BY	APPD
DY	-	SEE SHEET 1	-	-	-

P/N: 1735105-1



P/N: 1735105-2  
 1-1735105-2  
 1-1735105-3



RECOMMENDED PCB LAYOUT  
 SCALE 5:1

<small>THIS DRAWING IS A PROPERTY OF AMP INCORPORATED. ALL RIGHTS RESERVED. NO PARTS MAY BE REPRODUCED OR TRANSMITTED IN ANY FORM OR BY ANY MEANS, ELECTRONIC OR MECHANICAL, INCLUDING PHOTOCOPYING, RECORDING, OR BY ANY INFORMATION STORAGE AND RETRIEVAL SYSTEM, WITHOUT PERMISSION IN WRITING FROM AMP INCORPORATED.</small>		DWG SK LEAW 29JUL2005 CHK 29JUL2005 APP 29JUL2005 DATE 29JUL2005	Tyco Electronics Singapore Pte. Ltd.
DIMENSIONS: mm 0 PLC 1 PLC 2 PLC 3 PLC 4 PLC ANGLE: 30° FINISH:		NAME SAS BACKPLANE RECEPTACLE, VERTICAL, SMT PRODUCT SPEC 108-51067 APPLICATION SPEC - WEIGHT - CUSTOMER DRAWING	SIZE A2 CASE CODE 00779 DRAWING NO. 1735105 SCALE 4:1 SHEET 2 OF 2 REV B